



DOSATRONIC[®]
WATER MANAGEMENT



Product Catalog 2023

2023-5



Measurement



Control



Dosing



Disinfection

Legal notice

DOSATRONIC GmbH

Zuppingerstraße 8

D-88213 Ravensburg

☎: +49 (0)7 51 / 2 95 12 - 0

☎: +49 (0)7 51 / 2 95 12 - 190

info@dosatronic.de

www.dosatronic.de

Registered office: Ravensburg HRB 552723

USt-IdNr.: DE812973283

Valid from: **May 2023**

Rights

DOSATRONIC GmbH all rights reserved.

All trademarks referred to or depicted in this document are the property of their respective owners.

Concept, implementation, print processing: DOSATRONIC GmbH, Technical Editorial

Photos: Adobe Stock; DOSATRONIC GmbH, Technical Editorial

No information contained in these product catalog may be reproduced or transmitted without the prior written permission of **DOSATRONIC GmbH**.

Note

We are committed to continuously improving our products. The information provided in these Operating Instructions may occasionally be at variance with the product itself if technological are made or in order to comply with safety related requirements.

Table of contents



1. Measurement & control equipment	9
1.1. Wall Mounting	11
1.1.1. DOSAControl Measurement and control device DCW 105	13
1.1.2. DOSAControl Measurement and control device DCW 120 MF	15
1.1.3. DOSAControl Measurement and control device DCW 130	16
1.1.4. DOSAControl Measurement and control device DCW 220	17
1.1.5. DOSAControl Measurement and control device DCW 230	19
1.1.6. DOSAControl Measurement and control device DCW 260	21
1.1.7. DOSAControl Measurement and control device DCW 320	22
1.1.8. DOSAControl Measurement and control device DCW 330	23
1.1.9. DOSAControl Measurement and control device DCW 400ip	25
1.2. DIN Rail mounting	27
1.2.1. DOSAControl Measurement and control unit DCH	29
1.3. Photometer, Legionella-Kits	31
1.3.1. DOSAControl Photometer – KITS (preconfigured)	33
1.3.2. DOSAControl Photometer – Selection by parameter	35
1.3.3. DOSAControl Mobile laboratory for Legionella measurement	45
1.4. Density- and level control.	47
1.4.1. DOSAControl Level	49
2. Sensors	51
2.1. Electrodes	55
2.1.1. DOSA Sens pH electrode HGR	57
2.1.2. DOSA Sens pH electrode PHGB2F	58
2.1.3. DOSA Sens pH electrode PH-2	59
2.1.4. DOSA Sens pH electrode PHRT-2	60
2.1.5. DOSA Sens Redox electrode PFGR-2	61
2.1.6. DOSA Sens Redox electrode MVRTHT-2	62
2.1.7. DOSA Sens Redox electrode RHGB2F	63
2.1.8. DOSA Sens Redox electrode MV-2	64
2.1.9. DOSA Sens Electrode connection cable	65
2.1.10. DOSA Sens Buffer solutions	66
2.2. Conductivity / Turbidity / Oxygen / Temperature	67
2.2.1. DOSA Sens Conductivity meter I-mA	69
2.2.2. DOSA Sens Conductivity measuring cells E/E/HT	70
2.2.3. DOSA Sens Conductivity measuring cells E/E	71
2.2.4. DOSA Sens Conductivity measuring cells E/PT	72
2.2.5. DOSA Sens Conductivity measuring cells E/P	73
2.2.6. DOSA Sens Conductivity measuring cells E/P immersion model	74
2.2.7. DOSA Sens Conductivity measuring cells G/P	75
2.2.8. DOSA Sens Conductivity measuring cells G/P immersion model	76
2.2.9. DOSA Sens Conductivity Sensor C8325.5	77
2.2.10. DOSA Sens Turbidity cell TU 8325	78
2.2.11. DOSA Sens Oxygen measuring cells OD8325, OD8525	79
2.2.12. DOSA Sens Temperature sensor CG 21 Pt 100	81
2.2.13. DOSA Sens Temperature sensor ETE	82

Table of contents



2.3.	Amperometric Sensors	83
2.3.1.	DOSA <i>Sens</i> Chlorine sensor CL2.2	85
2.3.2.	DOSA <i>Sens</i> Chlorine sensor CL4.2	87
2.3.3.	DOSA <i>Sens</i> Chlorine sensor CC1	91
2.3.4.	DOSA <i>Sens</i> Chlorine sensor CS4	93
2.3.5.	DOSA <i>Sens</i> Chlorine sensor CS4-...-SW	95
2.3.6.	DOSA <i>Sens</i> Chlorine sensor AS2, AS3	97
2.3.7.	DOSA <i>Sens</i> Chlorine sensor CP4.0	101
2.3.8.	DOSA <i>Sens</i> Chlorine sensor CP4.0-...-SW	103
2.3.9.	DOSA <i>Sens</i> Chlorine sensor CH10	105
2.3.10.	DOSA <i>Sens</i> Chlorine sensor ILS2	107
2.3.11.	DOSA <i>Sens</i> Chlorine sensor CN1.1	109
2.3.12.	DOSA <i>Sens</i> Chlorine dioxide sensor CD4.2	111
2.3.13.	DOSA <i>Sens</i> Chlorine dioxide sensor CD10.1	113
2.3.14.	DOSA <i>Sens</i> Chlorine dioxide sensor AS2, AS3	115
2.3.15.	DOSA <i>Sens</i> Chlorine dioxide sensor ILS2	117
2.3.16.	DOSA <i>Sens</i> Open amperometric sensor KC	119
2.3.17.	DOSA <i>Sens</i> Chlorite sensor MST1	121
2.3.18.	DOSA <i>Sens</i> Bromine sensor BR1	123
2.3.19.	DOSA <i>Sens</i> Ozone sensor OZ1.2	125
2.3.20.	DOSA <i>Sens</i> Ozone sensor OZ10.1	127
2.3.21.	DOSA <i>Sens</i> Hydrogen peroxide sensor WP7	129
2.3.22.	DOSA <i>Sens</i> Hydrogen peroxide sensor WP10	131
2.3.23.	DOSA <i>Sens</i> Peracetic acid sensor P9.2	133
2.3.24.	DOSA <i>Sens</i> Peracetic acid sensor PES7	135
2.3.25.	DOSA <i>Sens</i> Peracetic acid sensor P10	137
2.3.26.	DOSA <i>Sens</i> Connection cable AK	139
2.3.27.	DOSA <i>Sens</i> Replacement electrolytes E	140
2.3.28.	DOSA <i>Sens</i> Replacement electrolytes E	141
2.3.29.	DOSA <i>Sens</i> Membrane caps M	143
2.3.30.	DOSA <i>Sens</i> Simulator pH, redox and chlorine	145
2.3.31.	DOSA <i>Sens</i> Simulator SIM11.1n	146
2.3.32.	DOSA <i>Sens</i> Simulator/Tester pH, redox, mV or mA signal	147
2.4.	Probe holder	149
2.4.1.	DOSA <i>Sens</i> Flow cell DF	151
2.4.2.	DOSA <i>Sens</i> Flow cell DAS	152
2.4.3.	DOSA <i>Sens</i> Flow cell ETA	153
2.4.4.	DOSA <i>Sens</i> Flow cell ILS	155
2.4.5.	DOSA <i>Sens</i> Flow cell PA	157
2.4.6.	DOSA <i>Sens</i> Flow cell DFA	158
2.5.	Filter technology	159
2.5.1.	DOSA <i>Sens</i> Filter VF/80 5"	161

3. Dosing technology 163

3.1.	Solenoid diaphragm dosing pumps	167
3.1.1.	DOSA <i>Tec</i> Solenoid diaphragm dosing pump HCO	169
3.1.2.	DOSA <i>Tec</i> Solenoid diaphragm dosing pump HCL	170
3.1.3.	DOSA <i>Tec</i> Solenoid diaphragm dosing pump HIS	171
3.1.4.	DOSA <i>Tec</i> Solenoid diaphragm dosing pump HTS	173
3.1.5.	DOSA <i>Tec</i> Solenoid diaphragm dosing pump HPO	174
3.1.6.	DOSA <i>Tec</i> Solenoid diaphragm dosing pump LCO	175
3.1.7.	DOSA <i>Tec</i> Solenoid diaphragm dosing pump LCL	177
3.1.8.	DOSA <i>Tec</i> Solenoid diaphragm dosing pump LAS	179

Table of contents



3.1.9.	DOSA Tec Solenoid diaphragm dosing pump LMS	181
3.1.10.	DOSA Tec Solenoid diaphragm dosing pump LEN	183
3.1.11.	DOSA Tec Solenoid diaphragm dosing pump LPO	185
3.1.12.	DOSA Tec Spare parts for solenoid diaphragm pumps L and H	187
3.1.13.	DOSA Tec Solenoid diaphragm dosing pump PCO	189
3.1.14.	DOSA Tec Solenoid-driven diaphragm dosing pump AMS CO	193
3.1.15.	DOSA Tec Solenoid-driven diaphragm dosing pump AMS CL	195
3.1.16.	DOSA Tec Solenoid-driven diaphragm dosing pump AMS Plus	197
3.1.17.	DOSA Tec Solenoid-driven diaphragm dosing pump AMSA CO	199
3.1.18.	DOSA Tec Solenoid-driven diaphragm dosing pump AMSA CL	201
3.1.19.	DOSA Tec Solenoid-driven diaphragm dosing pump AMSA Plus	203
3.1.20.	DOSA Tec Solenoid-driven diaphragm dosing pump AMS Digital MF	205
3.1.21.	DOSA Tec Solenoid-driven diaphragm dosing pump AMS Digital PH	207
3.1.22.	DOSA Tec Solenoid-driven diaphragm dosing pump AMS Digital RH	209
3.1.23.	DOSA Tec Solenoid-driven diaphragm dosing pump AMSA Digital MF	211
3.1.24.	DOSA Tec Solenoid-driven diaphragm dosing pump AMSA Digital PH	213
3.1.25.	DOSA Tec Solenoid-driven diaphragm dosing pump AMSA Digital RH	215
3.1.26.	DOSA Tec Solenoid-driven diaphragm dosing pump AMS Polymer CO	217
3.1.27.	DOSA Tec Solenoid-driven diaphragm dosing pump AMS Polymer Plus	218
3.1.28.	DOSA Tec Solenoid-driven diaphragm dosing pump AMS Polymer MF	219
3.1.29.	DOSA Tec Solenoid-driven diaphragm dosing pump AMS Digital Polymer PH	220
3.1.30.	DOSA Tec Solenoid-driven diaphragm dosing pump AMS Digital Polymer RH	221
3.1.31.	DOSA Tec Solenoid-driven diaphragm dosing pump K CO	223
3.1.32.	DOSA Tec Solenoid-driven diaphragm dosing pump K CL	225
3.1.33.	DOSA Tec Solenoid-driven diaphragm dosing pump K Plus	227
3.1.34.	DOSA Tec Solenoid-driven diaphragm dosing pump KA CO	229
3.1.35.	DOSA Tec Solenoid-driven diaphragm dosing pump KA CL	231
3.1.36.	DOSA Tec Solenoid-driven diaphragm dosing pump KA Plus	233
3.1.37.	DOSA Tec Solenoid-driven diaphragm dosing pump KMS MF	235
3.1.38.	DOSA Tec Solenoid-driven diaphragm dosing pump KMS PH	237
3.1.39.	DOSA Tec Solenoid-driven diaphragm dosing pump KMS RH	239
3.1.40.	DOSA Tec Solenoid-driven diaphragm dosing pump KMSA MF	241
3.1.41.	DOSA Tec Solenoid-driven diaphragm dosing pump KMSA PH	243
3.1.42.	DOSA Tec Solenoid-driven diaphragm dosing pump KMSA RH	245
3.1.43.	DOSA Tec Solenoid-driven diaphragm dosing pump V CO	247
3.1.44.	DOSA Tec Solenoid-driven diaphragm dosing pump V CL	249
3.1.45.	DOSA Tec Solenoid-driven diaphragm dosing pump VA CO	251
3.1.46.	DOSA Tec Solenoid-driven diaphragm dosing pump VA CL	253
3.1.47.	DOSA Tec Solenoid-driven diaphragm dosing pump VMS MF	255
3.1.48.	DOSA Tec Solenoid-driven diaphragm dosing pump VMS PO	257
3.1.49.	DOSA Tec Solenoid-driven diaphragm dosing pump VMSA MF	259
3.1.50.	DOSA Tec Solenoid-driven diaphragm dosing pump VMSA PO	261
3.1.51.	DOSA Tec Solenoid-driven diaphragm dosing pump T CO	263
3.1.52.	DOSA Tec Solenoid-driven diaphragm dosing pump T CL	265
3.1.53.	DOSA Tec Solenoid-driven diaphragm dosing pump TA CO	267
3.1.54.	DOSA Tec Solenoid-driven diaphragm dosing pump TA CL	269
3.1.55.	DOSA Tec Solenoid-driven diaphragm dosing pump TMS MF	271
3.1.56.	DOSA Tec Solenoid-driven diaphragm dosing pump TMS PH	273
3.1.57.	DOSA Tec Solenoid-driven diaphragm dosing pump TMS RH	275
3.1.58.	DOSA Tec Solenoid-driven diaphragm dosing pump TMSA MF	277
3.1.59.	DOSA Tec Solenoid-driven diaphragm dosing pump TMSA PH	279
3.1.60.	DOSA Tec Solenoid-driven diaphragm dosing pump TMSA RH	281
3.2.	Peristaltic Pumps	283
3.2.1.	DOSA Tec Peristaltic pump DOSA Flex	285
3.2.2.	DOSA Tec Peristaltic pump DOSA Flex pH-Rx	286

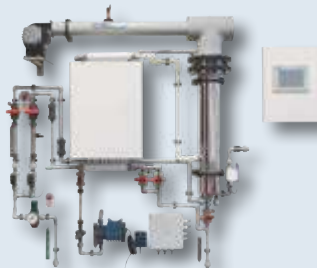
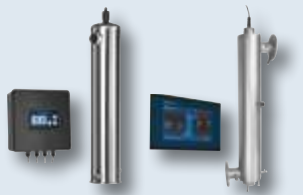
Table of contents



3.3.	Motorised diaphragm dosing pumps	287
3.3.1.	DOSA Tec PRISMA stepper motor-driven diaphragm dosing pump	289
3.4.	Motorised diaphragm dosing pumps	293
3.4.1.	DOSA Tec Motorised diaphragm dosing pump FM-50	295
3.4.2.	DOSA Tec Motorised diaphragm dosing pump D-50	297
3.4.3.	DOSA Tec Motorised diaphragm dosing pump D-100	299
3.4.4.	DOSA Tec Motorised diaphragm dosing pump D-101	303
3.4.5.	DOSA Tec Motorised diaphragm dosing pump D-121	307
3.4.6.	DOSA Tec Motorised diaphragm dosing pump D-122	309
3.5.	Proportional doser unit	315
3.5.1.	DOSA Tec Proportional doser D07	317
3.5.2.	DOSA Tec Proportional doser D9	319
3.5.3.	DOSA Tec Proportional doser D25	321
3.5.4.	DOSA Tec Proportional doser D3	325
3.5.5.	DOSA Tec Proportional doser D3T	329
3.5.6.	DOSA Tec Proportional doser D45	331
3.6.	Metering stations	335
3.6.1.	DOSA Tec Dosing stations	337
3.6.2.	DOSA Des Mobile-R Mobile disinfection and dosing system	339
3.6.3.	DOSA Des Mobile-W mobile disinfection and dosing system	341
3.7.	Accessoirs for Metring pumps	343
3.7.1.	DOSA Tec Injection valve IVN	345
3.7.2.	DOSA Tec Injection lance LINI	347
3.7.3.	DOSA Tec Foot valve FV Axial optionally available with a level switch	348
3.7.4.	DOSA Tec Suction lance SL 4	349
3.7.5.	DOSA Tec Suction lance SL 5	353
3.7.6.	DOSA Tec Multifunction valve MF	357
3.7.7.	DOSA Tec Multifunction valve MF-I	358
3.7.8.	DOSA Tec Flow sensor DFS	359
3.7.9.	DOSA Tec Pulsation damper SOIM	360
3.7.10.	DOSA Tec Dosing tank DB A	361
3.7.11.	DOSA Tec Dosing Tank DB C	363
3.7.12.	DOSA Tec Dosing tank DB E	365
3.7.13.	DOSA Tec Safety bunds O	367
3.7.14.	DOSA Tec Accessories for dosing tanks DB	368
3.7.15.	DOSA Tec Standard agitator Mix	369
3.8.	Water meter	371
3.8.1.	DOSA Tec Impeller flow meter CT, CA	373
3.8.2.	DOSA Tec Impeller flow meter KWKT/KWHT	375
3.8.3.	DOSA Tec Woltmann contact water meter WW	377
3.9.	Static line mixer	379
3.9.1.	DOSA Tec Static line mixer SRMK made of plastic	381
3.9.2.	DOSA Tec Static line mixer SRME made of stainless steel	383
3.9.3.	DOSA Tec Static line mixer FSHM	384
4.	Measuring, control and dosing systems	385
4.1.	DOSASys	387
4.1.1.	DOSA Pool Measurement, control and dosing systems	389
4.1.2.	DOSA Pool pH-Rx Measurement, control and dosing systems	390
4.1.3.	DOSASys Zero-Clxxx	391

Table of contents

5.	Disinfection systems	393
5.1.	Chlorine dioxide systems	395
5.1.1.	DOSA <i>Des</i> Chlorine dioxide unit DOSA/XD 5T – 30T	397
5.1.2.	DOSA <i>Des</i> Chlorine dioxide unit DOSA/XD DXT DP	399
5.2.	UV-Units.	401
5.2.1.	DOSA <i>Lux</i> UV Disinfection Systems ALB	403
5.2.2.	DOSA <i>Lux</i> UV Disinfection Systems LCD and LCDP	405
5.2.3.	DOSA <i>Lux</i> UV Disinfection Systems RLCD and RLCDP	407
5.2.4.	DOSA <i>Lux</i> UV Disinfection Systems LCD Pool	409
5.2.5.	DOSA <i>Lux</i> UV Disinfection Systems AM 16 Rack LCD and LCDP	411
5.2.6.	DOSA <i>Lux</i> UV Disinfection Systems AM TC Plus	413
5.2.7.	DOSA <i>Lux</i> UV Disinfection Systems TC 400 and TC RA 400	415
5.2.8.	DOSA <i>Lux</i> UV Disinfection Systems MPTC	417
5.2.9.	DOSA <i>Lux</i> UV Disinfection Systems V-8, V-14, V-83, V-140	419
5.3.	Electrolysis units.	423
5.3.1.	DOSA <i>Des</i> Membrane electrolysis	425
5.3.2.	DOSA <i>Active</i> Tube cell Electrolysis Unit 30 – 200	429



Legal notice

DOSATRONIC GmbH

Zuppingerstraße 8

D-88213 Ravensburg

☎: +49 7 51 / 2 95 12 - 0

☎: +49 7 51 / 2 95 12 - 190

info@dosatronic.de

www.dosatronic.de

Registered office: Ravensburg HRB 552723

USt-IdNr.: DE812973283

Valid from: **May 2022**

Rights

DOSATRONIC GmbH All rights reserved.

All trademarks referred to or depicted in this document are the property of their respective owners.

Concept, design, implementation, print processing:

DOSATRONIC GmbH, technical editing

Photos: Adobe Stock; DOSATRONIC GmbH, technical editing.

Translation from German: DOSATRONIC GmbH Assistant to the management,

SK Technical Translations - Sonja Schuberth-Kreutzer

No information contained in these product catalog may be reproduced or transmitted without the prior written permission of **DOSATRONIC GmbH**.

Note

We are committed to continuously improving our products. The information provided in these Operating Instructions may occasionally be at variance with the product itself if technological are made or in order to comply with safety related requirements.



1. Measurement & control equipment

Table of contents



1.	Measurement & control equipment	9
1.1.	Wall Mounting	11
1.1.1.	DOSAControl Measurement and control device DCW 105	13
1.1.2.	DOSAControl Measurement and control device DCW 120 MF	15
1.1.3.	DOSAControl Measurement and control device DCW 130	16
1.1.4.	DOSAControl Measurement and control device DCW 220	17
1.1.5.	DOSAControl Measurement and control device DCW 230	19
1.1.6.	DOSAControl Measurement and control device DCW 260	21
1.1.7.	DOSAControl Measurement and control device DCW 320	22
1.1.8.	DOSAControl Measurement and control device DCW 330	23
1.1.9.	DOSAControl Measurement and control device DCW 400ip	25
1.2.	DIN Rail mounting	27
1.2.1.	DOSAControl Measurement and control unit DCH	29
1.3.	Photometer, Legionella-Kits	31
1.3.1.	DOSAControl Photometer – KITS (preconfigured)	33
1.3.2.	DOSAControl Photometer – Selection by parameter	35
1.3.3.	DOSAControl Mobile laboratory for Legionella measurement	45
1.4.	Density- and level control	47
1.4.1.	DOSAControl Level	49

Legal notice

DOSATRONIC GmbH

Zuppingerstraße 8

D-88213 Ravensburg

☎: +49 7 51 / 2 95 12 - 0

☎: +49 7 51 / 2 95 12 - 190

✉: info@dosatronic.de

www.dosatronic.de

Registered office: Ravensburg HRB 552723

USt-IdNr.: DE812973283

Valid from: **May 2022**

Rights

DOSATRONIC GmbH All rights reserved.

All trademarks referred to or depicted in this document are the property of their respective owners.

Concept, design, implementation, print processing:

DOSATRONIC GmbH, technical editing

Photos: Adobe Stock; DOSATRONIC GmbH, technical editing.

Translation from German: DOSATRONIC GmbH Assistant to the management,

SK Technical Translations - Sonja Schuberth-Kreutzer

No information contained in these product catalog may be reproduced or transmitted without the prior written permission of **DOSATRONIC GmbH**.

Note

We are committed to continuously improving our products. The information provided in these Operating Instructions may occasionally be at variance with the product itself if technological are made or in order to comply with safety related requirements.



1. Measurement & control equipment

1.1. Wall Mounting

1.1.1.

DOSAControl Measurement and control device **DCW 105**

Single channel controller for potentiostatic sensors for measurement of: free chlorine, chlorine dioxide, ozone or hydrogen peroxide as well as for temperature display.



Product description:

- Graphical menu navigation
- Additional functions accessible via activation codes or modules
- Electrochemical cleaning with special sensors available as an option (automated process)
- Device with measurement and temperature input:
 - Input 1: variable measurements
 - Input 2: temperature
 - Input 3: external stop
- Outputs:
 - Output 1: relay with PID behaviour,
 - Output 2: relay with PID behaviour,
 - Output 3: 4–20 mA
 - Output 4: alarm relay
- Start delay: 0–200 s until controller is active
- Temperature coefficient: 0.0 ... 8.0 %, coefficient K adjustable
- Two limits with delay, coupled with the alarm relay
- SD card slot (for firmware update or image creation)
- Two user levels with password protection
- Event log and event help
- Energy-saving mode selectable
- Protected by auto-lock function
- Complies with valid EU regulations and thus meets all regulatory standards
- Temperature range: -30 to +140 °C with Pt100 or Pt1000
- Ambient temperature: 0–50 °C
- Power supply: 85–230 VAC, optionally 24 VDC

Areas of application:

- Potentiostatic measurement and regulation of: chlorine (Cl₂), chlorine dioxide (ClO₂), ozone (O₃), temperature with temperature compensation (measurement and display).

Scope of supply:

- **DOSAControl DCW 105**, standard 2 m connection cable, IP 54 housing (B x W x D) 144 x 144 x 83 mm, made of ABS (optional wallmounted version with IP 65), SD card up to 2 MB (industrial standard)

Ordering data:

Type:	Item number:
DCW 105	2088180

Additional technical data:

Type:	Measured variable:	Suitable sensors:	Measuring range: mg/l	Power supply:	Max. contact load:	Measurement modules available for:
DCW 105	Free chlorine	KCL	0–1,000 mg/l	85–230 VAC, +6 /-10%	250 V/6 A, max. 550 VAC	- pH/Redox - conductiv - inductive - mA input - gas
	Chlorine dioxide	KCLD	0–5,00 mg/l			
	Ozone	KCOZ	0–10 mg/l			
	H ₂ O ₂		0–30 mg/l			
	on request					

Optionen:

Type	Option:	Specification:	Item number:
DCW 105	Communication	RS 485 – modbus RTU	2038262
	Back-up	Data logger	2038261
	Power supply	24 VDC	2038260
	Outputs	Second analogue output (mA)	2038263
	Automatic cleaning	Automatic cleaning with suitable sensor (sensor not included in the scope of delivery)	2038215
	Wall mounting	With IP 65	2038266
	Integration to control panel	With IP 54 (front), IP 30 (housing)	2038265

1.1.2.

DOSAControl Measurement and control device **DCW 120 MF**

Single channel controller, freely programmable for the following potentiostatic sensors: pH, redox (ORP), conductivity, temperature, turbidity, oxygen, nitrate. For amperometric sensors: Cl₂, COI₂, O₃, H₂O₂, PES, bromine, each for a mA or a mV signal input.



Product description:

- Backlit LCD for parameter display, all measured and operating values are displayed on the screen simultaneously
- Test functions
- Adjustable polarisation time
- Direct access to calibration
- Inputs
 - Input 1: for measurement cells 4–20 mA at 12/24 V, galvanically isolated
 - Input 2: for measurement cells ±0 to -2000 mV
 - Input 3: Flow meter (inductive proximity switch, PNP)
 - Input 4: Control input NO/NC with adjustable delay
 - Input 5: for stand-by
- Outputs:
 - Output 1: 4–0 mA, transmission of measured or set point
 - Output 2: 4–20 mA, transmission of measured or set point
 - Output 3: relay output for dosing pumps (230 VAC, pulse or cycle)
 - Output 4: relay output (control, P, PI, or PID)
 - Output 5: relay output for alarm
- Controller 1: PID behaviour
- Option: RS 485 serial port, Modbus protocol
- Integrated safety features, e.g. in case of mains failure or lack of water
- Dosing rate can be monitored; in case of excessive dosing at full rate an alarm is triggered. Two limits can be set.
- Data/parameters are saved even in case of power failure
- Languages: DE, ES, FR, GB, IT, PT

Areas of application:

- Measurement and regulation of: pH, redox, conductivity, temperature, turbidity, oxygen chlorine, ozone, hydrogen peroxide, peracetic acid, bromine.

Scope of supply:

- **DOSAControl DCW 120 MF**, IP 65 housing, 229 x 204 x 116 mm (W x H x D), made of ABS, for wall mounting, standard connection lead 2 m

Ordering data:

Type:	Option:	Item number:
DCW 120 MF		2188200
Hardware interface	RS 485	2188205
Software interface	Modbus RTU	on request

1.1.3.

DOSAControl Measurement and control device DCW 130

1-channel controller for potentiostatic and amperometric sensors, for measuring pH, free chlorine, chlorine dioxide, ozone, hydrogen peroxide, redox or conductivity and for measuring and indicating temperature.



Product description:

- Microprocessor unit with backlit LC display
- Settings via keypad
- Signal input for pH and redox electrodes, with BNC connector
- Inductive conductivity
- Conductive conductivity with cell constants 0.1, 1 and 10
- Input for amperometric sensors with 4–20 mA
- Output signal Cl₂, ClO₂, O₃ or H₂O₂
- Temperature measurement with Pt100 or Pt1000
- Automatic temperature compensation
- Built-in data memory, with the option of creating data tables and charts
- Programmable 4–20 mA analogue output (500 Ω)
- Communication via RS485 interface, Modbus protocol, (DCW 130-M)
- Digital input for external dosing stop 24 V, 10 mA max.
- One alarm relay output or temperature setpoint
- 2 relay outputs for switching final control elements ON/OFF
- 1 A relays at 230 VAC
- One relay output for sensor cleaning or temperature setpoint
- Power connection: 100–240 VAC ±10%, 50/60 Hz, (24 VDC as an option)
- Housing in ABS plastic, protection class IP65

Areas of application:

- Measurement and control of: pH, free chlorine, chlorine dioxide, ozone, hydrogen peroxide, redox or conductivity as well as measurement and indication of temperature.

Scope of supply:

- **DOSAControl DCW 130**, standard connection lead 2 m, IP 65 housing, 144 x 144 x 122.5 mm (width x height x depth) in ABS plastic for wall mounting

Ordering data:

Type:	Indicator:	Item number:
DCW 130 100 ... 240 VAC	pH / Redox	21230155
	Conductivity, conductive sensor	21230150
	amperometric (mA)	21230160
DCW 130-M 100 ... 240 VAC	pH / Redox	21230157
	Conductivity, conductive sensor	21230152
	amperometric (mA)	21230162
DCW 130 24 VDC	pH / Redox	21230156
	Conductivity, conductive sensor	21230151
	amperometric (mA)	21230161
DCW 130-M 24 VDC	pH / Redox	21230158
	Conductivity, conductive sensor	21230153
	amperometric (mA)	21230163

1.1.4.

DOSAControl Measurement and control device **DCW 220**

2-channel controller, freely programmable for potentiostatic and amperometric sensors, for measurement of: pH, free chlorine, total chlorine, chlorine dioxide, ozone, oxygen, conductivity, temperature, redox or turbidity.



Product description:

- Microprocessor unit with large LCD display, backlit
- all measured values and operating states are shown simultaneously in one display
- complete visualisation of the controller information
- operation via foil keyboard
- retentive data storage in case of power failure
- measuring input for measuring cells: 4-20 mA and 12/24 V galvanically isolated
- pulse input for flow measurement
- adjustable polarisation time
- direct calibration access
- 2 analogue outputs 0/4...20 mA (for measuring signal and regulation)
- 2 potential-free relay outputs
- 4 relay outputs for dosing pumps (230 VAC)
- 4 relay outputs (control P, PI or PID)
- programmable timer function
- Alarm relay output
- Alarm display: Sensor not connected
- Alarm display: Sensor error
- Flow sensor
- Test functions
- 1 input for flow monitoring (inductive proximity switch, PNP)
- UBS connection
- Hold and auto function
- Optional: RS 485, serial interface (Modbus protocol)
- Electrical connection: 90-240 V AC + 10%, 50/60 Hz
- Housing made of ABS plastic, protection class IP 65

Areas of application:

- Measurement and control of: pH value, conductivity, oxygen, free and total chlorine, chlorine dioxide, ozone, redox, turbidity, as well as temperature.

Scope of supply:

- **DOSAControl DCW 220**, standard connection cable 2 m, IP 65 Housing, 229 x 204 x 116 mm (width x height x depth) made of ABS plastic for wall mounting.

Ordering data:

Type:	Measurement:	Item number:
DCW 220	pH value, conductivity, oxygen, free and total chlorine, chlorine dioxide, ozone, redox, turbidity, temperature	2188220

1.1.5.

DOSAControl Measurement and control device **DCW 230**

2-channel controller for potentiostatic and amperometric sensors, for measuring and control: pH, redox or pH, conductivity or pH-, free chlorine, chlorine dioxide, ozone, hydrogen peroxide, redox or conductivity and for measuring and indicating temperature.



Product description:

- Microprocessor unit with backlit LC display
- Settings via keypad
- Signal input for pH and redox electrodes, with BNC connector
- Inductive conductivity
- Conductive conductivity with cell constants 0.1, 1 and 10
- Input for amperometric sensors with 4–20 mA
- output signal Cl₂, ClO₂, O₂ or H₂O₂
- Temperature measurement with Pt100 or Pt1000
- Automatic temperature compensation
- Built-in data memory, with the option of creating data tables and charts
- 2 programmable 4–20 mA analogue outputs (500 Ω)
- 2 relay outputs for limits
- Communication via RS485 interface (Modbus protocol)
- Digital input for external dosing stop 24 V, 10 mA max.
- 1 alarm relay output or temperature setpoint
- 2 relay outputs for switching final control elements ON/OFF, 1 A relays at 230 VAC
- One relay output for sensor cleaning or temperature setpoint
- Power connection: 100–240 VAC ±10%, 50/60 Hz, (24 V DC as an option)
- Housing in ABS plastic, protection class IP65

Areas of application:

- Measurement and control of: pH, redox or pH conductivity or pH- free chlorine, chlorine dioxide, ozone, hydrogen peroxide, redox or conductivity as well as measurement and indication of temperature.

Scope of supply:

- **DOSAControl DCW 230**, standard connection lead 2 m, IP65 housing, in ABS plastic for wall mounting

Ordering data:

Type:	Indicator:	Item number:
DCW 230	pH and redox	21230035
	pH and conductivity, inductive sensor	21230040
	pH and conductivity, conductive sensor	21230025
	pH and amperometric sensors with output signal for chlorine, chlorine dioxide, ozone or hydrogen peroxide and pH	21230015

Ordering data:

Type:	Indicator:	Item number:
DCW 230 24 V DC	DCW 230 - in 24 V DC version	90230430
	pH and redox	21230005
	pH and conductivity, inductive sensor	21230000
	pH and conductivity, conductive sensor	21230001
	pH and amperometric sensors with output signal for chlorine, chlorine dioxide, ozone or hydrogen peroxide and pH	21230010

1.1.6.

DOSAControl Measurement and control device **DCW 260**



2-channel controller for potentiostatic and amperometric sensors, for measuring and controlling: pH, free chlorine or total chlorine and free chlorine or pH and redox, or pH-, total chlorine, chlorine dioxide, ozone, hydrogen peroxide, peracetic acid or chlorite, and for measuring and indicating temperature.

Product description:

- Microprocessor unit with backlit LC display
- Settings via keypad
- Data storage on SD card
- Signal input for pH electrodes, high-impedance input -1800 mV +1800 mV, with BNC connector
- Signal input for amperometric sensors 0 to -2000 mV, with 12 V power supply
- Temperature measurement with Pt100
- Empty indication switch, potential-free contact
- External dosing release, potential-free contact
- Inductive flow meter or reed contact, 12 V
- Direct calibration access
- two 4 – 20 mA analogue outputs (for transferring measurement or output values)
- 2 analogue outputs for final control elements, electronic relays, max. 40 mA at 48 VDC
- 2 analogue outputs for switching final control elements ON/OFF or for switching pulse widths, 2 A relays at 230 VAC
- Output for switching final control elements ON/OFF or for switching pulse widths, 2 A relay at 230 VAC, version for motor valve “closed” direction
- Output for switching alarms or final control elements, NO or NC relays, 2 A at 230 VAC
- 2-channel P, PI or PID control, programmable output signals for two-point, pulse width or pulse frequency final control elements or optionally for controlling a motor valve
- Power connection: 90 – 240 VAC ±10 %, 50/60 Hz
- Housing in ABS plastic, protection class IP65

Areas of application:

- Measurement and control of: pH, free chlorine or total chlorine and free chlorine or pH and redox or pH-, total chlorine, chlorine dioxide, ozone, hydrogen peroxide, peracetic acid, chlorite, as well as measurement and indication of temperature.

Scope of supply:

- **DOSAControl DCW 260**, standard connection lead 2 m, IP65 housing 229 x 204 x 116 mm (width x height x depth) in ABS plastic for wall mounting

Ordering data:

Type:	Indicator:	Item number:
DCW 260	pH and free chlorine	2188051
	Total chlorine and free chlorine	2188052
	pH and redox	2188053

1.1.7.

DOSAControl Measurement and control device **DCW 320**

3-channel controller for potentiostatic and amperometric sensors, for measuring and controlling pH, free chlorine, redox and for measuring and indicating temperature.



Product description:

- Microprocessor unit with backlit LC display
- Settings via keypad
- Signal input for redox and pH electrodes, with BNC connector
- Signal input for amperometric sensors 0 to ±2000 mV, with 12 V–24 V power supply
- Signal input for amperometric sensors 4–20 mA, with 24 V power supply
- Signal input for temperature sensors 4–20 mA, with 12 V power supply
- Input for external dosing stop
- Input for flow sensor, inductive proximity switch
- Pulse input for flow meter
- Direct calibration access
- pH control in both directions
- Two 4–20 mA analogue outputs, measurement or output value, max. 500 Ω (P or PID control)
- 3 relay outputs, 2 A/250 VAC for cyclic mode
- 4 freely programmable relay outputs, e.g. for alarm signals, dosing pumps or final control elements
- 1 printer output (e.g. for printing reports), RS232 interface
- Communication via RS485 interface (Modbus protocol)
- RJ45 modem interface for GSM, Ethernet or WiFi communication in case of remote monitoring (optional)

Areas of application:

- Measurement and control of: pH, free chlorine, redox as well as measurement and indication of temperature.

Scope of supply:

- **DOSAControl DCW 320**, standard connection lead 2 m, IP65 housing 235 x 119 x 185 mm (width x height x depth) in ABS plastic for wall mounting

Ordering data:

Type:	Indicator:	Item number:
DCW 320	pH, free chlorine, redox and measuring and indicating temperature	2188210

1.1.8.

DOSAControl Measurement and control device **DCW 330**

3-channel controller for potentiostatic and amperometric sensors, for measuring and control: pH, redox, free chlorine or total chlorine, chlorine dioxide, bromine, ozone, hydrogen peroxide or peracetic acid and for measuring and indicating temperature.



Product description:

- Microprocessor unit with backlit LC display
- Settings via keypad
- Signal input for pH and redox electrodes, with BNC connector
- Input for amperometric sensors with 4–20 mA output signal (Cl₂, ClO₂, O₃)
- H₂O₂, bromine or peracetic acid
- Temperature measurement with Pt100, Pt1000 or NTC
- Automatic temperature compensation
- Input for external dosing stop
- Two inputs for level control
- Two programmable 4–20 mA analogue outputs (500 Ω)
- Two programmable frequency outputs, 0 – 120 pulses / minute
- One alarm relay output
- Three relay outputs for switching final control elements ON/OFF,
- 1 A relays at 230 VAC
- One relay output for sensor cleaning or temperature setpoint
- Communication via RS485 interface (Modbus protocol)
- Power connection: 100–240 VAC ±10%, 50/60 Hz, (24 VDC as an option)
- Housing in ABS plastic, protection class IP65

Areas of application:

- Measurement and control of: pH, redox, free chlorine or total chlorine, chlorine dioxide, bromine, ozone, hydrogen peroxide or peracetic acid as well as measurement and indication of temperature.

Scope of supply:

- **DOSAControl DCW 330**, standard connection lead 2 m, IP65 housing 144 x 144 x 122.5 mm (width x height x depth) in ABS plastic for wall mounting

Ordering data:

Type:	Indicator:	Item number:
DCW 330	pH, redox and free chlorine; measuring and indicating temperature	21230020
	pH, redox and total chlorine; measuring and indicating temperature	on request
	pH, redox and chlorine dioxide; measuring and indicating temperature	
	pH, redox and bromine; measuring and indicating temperature	
	pH, redox and ozone; measuring and indicating temperature	
	pH, redox and hydrogen peroxide; measuring and indicating temperature	
	pH, redox and peracetic acid; measuring and indicating temperature	

Subject to technical modifications and printing errors. Images may vary slightly from actual product.
09.11.2021

Integrated* web server for an app-free measurement, regulation and remote control with a classically 4-channel-controller, for the measuring and, optionally regulation of: pH-, redox, conductivity and free chlorine, total chlorine, chlorine dioxide, free bromine, hydrogen peroxide, peracetic acid, turbidity, oxygen and many other parameters.

Product description:

- Operation via web browser with external device (PC, smartphone tablet pc) with integrated access administration
- LAN-connection RJ45 necessary, DHCP- or hard addressing
- LED-display on the device, display-free settings via network
- Data recording in the device via Micro-SD card and by remote access
- Timer functions: increase of control parameters*, individual outputs directly switchable, trigger e-mails; (*setpoint)
- User administration (in groups)
- General functions:
 - computation of the activity of the free chlorine
 - correction of the pH-error of the chlorine mV-sensors
 - monitoring of the overrange from the mV-sensores
 - valuation of the empty signal chater
 - separate external metering enabling via electronic input
 - evaluation of the inductive proximity switch
 - evaluation of other reed-contacts
 - guided calibration
- Input:
 - 4 galvanically isolated slots for pH-, redox, mV, or 4–20 mA sensors (see accessory list)
 - 1 x temperature measurement with Pt100
 - 4 x digital input
 - 1 NPN or PNP
- Output:
 - 4 relays as Pulse, PWM, ON/OFF, Warning, Alarm
 - 2 x optical coupler
 - optional: mA Out, Module with 2 outputs (Analog)
- Regulation:
 - per channel:
 - ON/OFF (or) controller
 - P-, PI-, PID-controller
 - adaptive controller
- Power connection: 90–240 VAC ±10 %, 50/60 Hz, (24 V DC as an option)
- protection class IP65



Areas of application:

- Measurement and regulation with Web-connection.

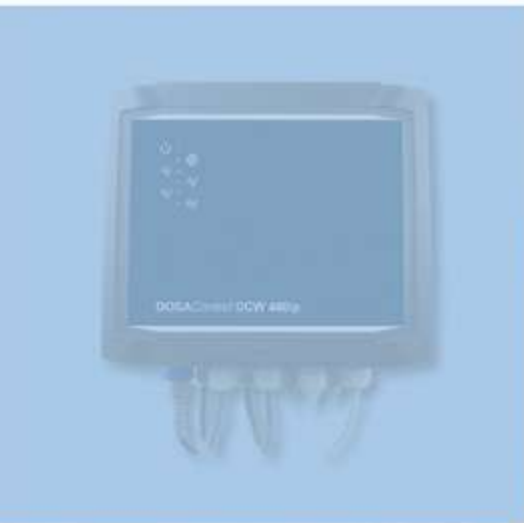
Scope of supply:

- **DOSAControl** DCW 400ip, housing in ABS plastic, 229 x 204 x 116 mm (W x H x D) for wall mounting

*Is not connected to an external Internet-Server, it will only be addressed through your internal network = completely autonomous system

Ordering data:

Type:	Option:	Item number:
DCW 400ip		2188300
Modules: will be needed for special measurements	DCW 400ip pH-module and accessories for the measurement of pH	2188301
	DCW 400ip Redox module and accessories for the measurement of redox	2188302
	DCW 400ip analog module In (0 to-2000 mV)	21250120
	DCW 400ip module 4–20 mA (input)	21250140
	DCW 400ip conductivity module 1 μ S–200.000 μ S	21250150
	DCW 400ip analog module Out (2 x 4–20 mA out)	21250130
	DCW 400ip analog-out module, option (2 x 4–20 mA out) ERWEITER	21250160



1. Measurement & control equipment

1.2. DIN Rail mounting

1.2.1.

DOSAControl Measurement and control unit **DCH**

1-channel controller for potentiostatic and amperometric sensors for the measurement of: pH, free chlorine, total Chlorine, Chlorine dioxide, Chlorite, Ozone, Oxygen, Hydrogen, peroxide, Peracetic acid, Bromine, conductivity, redox (ORP) and for the measurement and displaying of the temperature.

Product description:

- Microprocessor unit with LCD, backlit
- Programmable switch-on delay
- ON/OFF control mode with two limits and adjustable control hysteresis
- Input:
 - 1 x 0 to -2000 mV or, 4–20 mA or conductivity
 - NTC 10 kΩ with autom. temp. compensation (only pH and conductivity) flow control
- Output:
 - 2 x limit switch contact (Digital outputs as potential free relay, max. contact load 230 V/5A
 - 1 x 4–20 mA, programmable, Minimum Load 250 Ohm
- Power supply:
 - 230 VAC, 50/60 Hz
 - Alternating power supply 24 VDC
- Enclosure in ABS plastic for DIN Rail mounting, 106 x 95 x 55 mm (width x height x depth), protection class IP20



Please look under accessories

Areas of application:

- Measurement and control of: pH, redox (ORP), conductivity, free chlorine, total chlorine ... as mentioned above.

Scope of supply:

- **DOSAControl** DCH, standard connection lead 5 m

Ordering data:

Type:	Measurand:	Item number:
DCH	pH, temperature	2188550
	Redox	2188551
	0 to -2000 mV, or 4–20 mA	2188552
	CD1 - Conductivity (0–1.99 µS) Cell constant K= 0.1	2188553
	CD1 - Conductivity (0–3.99 µS) Cell constant K= 0.2	2188553
	CD2 - Conductivity (0–19.9 µS) Cell constant K= 0.1	2188554
	CD2 - Conductivity (0–39.9 µS) Cell constant K= 0.2	2188554
	CD3 - Conductivity (0–199.9 µS) Cell constant K= 0.1	2188555

Subject to technical modifications and printing errors. Images may vary slightly from actual product.
12.03.2019

Ordering data:

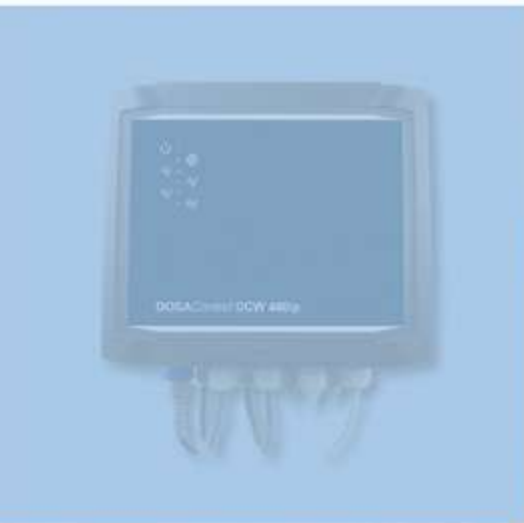
Type:	Measurand:	Item number:
DCH	CD3 - Conductivity (0–399.9 µS) Cell constant K= 0.2	2188555
	CD4 - Conductivity (0–1999 µS) Cell constant K= 0.2	2188556
	CD4 - Conductivity (0–9999 µS) Cell constant K= 1	2188556
	CD5 - Conductivity (0–19.99 mS) Cell constant K= 1	2188557

Additional technical data:

Type:	Measured variable:	Measuring range:	
DCH	Potentiostatic:		
	pH	0 – 14	
	redox (ORP)	-1000 mV to +1000 mV	
	Amperometric: 0 to -2000mV, or 4 – 20 mA		
	free chlorine	0.005 mg/l ... 200 mg/l	
	total Chlorine	0.005 mg/l ... 20 mg/l	
	Chlorine dioxide	0.005 mg/l ... 200 mg/l	
	Chlorite	0.05 mg/l ... 2 mg/l	
	Ozone	0.05 mg/l ... 20 mg/l	
	Oxygen	on request	
	Hydrogen peroxide	0 mg/l ... 2 mg/l	
	Peracetic acid	0 mg/l ... 2 mg/l	
	Bromine	0.005 mg/l ... 20 mg/l	

Accessories: housing

Typ:	RAL Color number:	Dimensions: (height x width x depth) mm	Number of TE units: according to DIN standard 43880, (1 TE \pm 17,5–18 mm)	Protection:	Protection:	Number of doors:	Item number:
Wall-mounted-housing for 1 x DCH	7035 (stone gray)	190 x 165 x 113	6	IP 65	2	1	8917250
Wall-mounted-housing for 1 x DCH + addition		on request	10				8917251
Wall-mounted-housing for 2 x DCH		210 x 235 x 113	12				8917252



1. Measurement & control equipment

1.3. Photometer, Legionella-Kits

1.3.1.

DOSAControl Photometer – KITS (preconfigured)

Photometer for water analysis and calibration.



Product description:

- Meter operating according to the DPD method for chemical-photometric determination of the concentration of disinfectants
- Menu guidance: intuitive, using a touch screen (5.5 inches)
- Technical description: see „Photometer - selection by parameters“
- Testing instructions during the measurement process
- Spectral range: 380 nm – 950 nm, complete coverage by multi-spectral sensor
- Measuring ranges:
 - pH: 6.5 – 8.4
 - Chlorine: 0.00 – 8.00 mg/l (ppm), free, combined, total
 - Iso-cyanuric acid: 0 – 160 mg/l (ppm)
 - Bromine: 0.0 – 13.5 mg/l (ppm)
 - Ozone: 0.0 – 4.00 mg/l (ppm)
 - Hydrogen peroxide: 0.00 – 2.9 mg/l (ppm)
 - Chlorine dioxide: 0.0 – 11.4 mg/l (ppm)
- Calibration: Auto Calibration function
- Operating environment:
 - 5 °C – 45 °C, 30 – 90% rel. humidity
- Protection class: IP 68
- Operating languages: > 15 languages: English, German, French, Italy, Spanish ...

Areas of application:

- Water analysis and calibration.

Scope of supply:

- **DOSAControl Photometer – Selection by parameter** with Plastic case incl.:
 - 4 x 24 mm / 10ml glass vials with lid (light shield integrated in lid)
 - 1 x light shield for 16mm vials, Eppendorf vials and calibration
 - 1 x 24 mm vial adapter (built-in, exchangeable)
 - 1 x 10.5 cm plastic stirring rod
 - 1 x graduated 10ml plastic syringe
 - 1 x vial cleaning brush, 1 x microfibre cleaning cloth for vials
 - 1 x Battery-Charger with USB-cable (type C)
- Reagents: (1 of each included)
 - Chlorine: 1 x 30 ml, DPD 1 A (dropper bottle), 1 x 30 ml, DPD 1 B (dropper bottle) 1 x 30 ml, DPD 3 C (dropper bottle)
 - pH: 1 x 65 ml, phenol red, (dropper bottle)
 - Cyanuric acid: 1 x 50 pcs. CYA test (tablets)
 - Chlorine dioxide: 1 x 30 ml, DPD 1 A (dropper bottle), 1 x 30 ml, DPD 1 B (dropper bottle), 1 x 30 ml, DPD glycine (dropper bottle)

Ordering data:

Type:	Item number:
Photometer Chlorine (chlorine, total chlorine, pH, iso-cyanuric acid)	89231000
Photometer Chlorite (chlorine, total chlorine, pH, iso-cyanuric acid, chlorite)	89231010
Photometer Bromine (chlorine, total chlorine, pH, iso-cyanuric acid, bromine)	89231020
Photometer Ozone (chlorine, total chlorine, pH, iso-cyanuric acid, ozone)	89231030
Photometer Hydrogen Peroxide (chlorine, total chlorine, pH, iso-cyanuric acid, hydrogen peroxide)	89231040
Photometer Disturbance Variables (chlorine, total chlorine, pH, iso-cyanuric acid, iron, manganese)	89231050
Photometer Chlorine Dioxide (chlorine, total chlorine, pH, chlorine dioxide)	89231060

Subject to technical modifications and printing errors. Images may vary slightly from actual product.
20.08.2020

1.3.2.

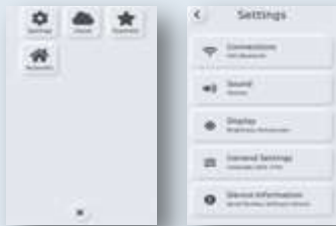
DOSAControl Photometer – Selection by parameter

Photometer for water analysis and calibration.

Select the parameters required for the use with the corresponding reagents. Reagents* are available for more than 140 special parameters (*see lists below).

Product description:

- Menu guidance: intuitive, using a touch screen (5.5 inches)
- Modern software management:
 - Cloud synchronized: Win/Mac, Android and iOS Apps
 - Unlimited number of accounts/accounts possible
 - Reporting and statistics possible (printable or sendable)
 - Admin tool allows creating rules (daily measurement, limits, warnings ...)
- Camera: internal camera, as QR code scanner, for task verification of parameter or location allocation via accounts/accounts
- Test instructions during the measurement process
- Spectral range: 380 nm ... 950 nm, complete coverage by multi-spectral sensor
- Calibration: Auto Calibration function
- Measuring ranges: see reagent lists below (> 140 parameters)
- Adapter for different cuvette sizes
- USB connection for electrodes for measuring :
 - pH, temperature, salinity, conductivity, ORP, TDS
- PTSA (fluorescent marker) integrated
- Environment:
 - 5 °C – 45 °C
 - 30 – 90 % rel. humidity
- Power supply: 8400 mAh accu
- Protection level: IP 68
- User languages: > 15 languages: English, German, French, Italy, Spanish ...



Operating mode:

- **DOSAControl** Photometer spectral-photometrically measures all water values in which the water sample is visibly discoloured after the addition of a reagent. Three sensors with six wavelengths each (corresponds to a measurement of eighteen different wavelengths at the same time) allow very precise measurement results.

Scope of supply:

- **DOSAControl/Photometer – Selection by parameter** with Plastic case incl.:
 - 4 x 24 mm / 10ml glass vials with lid (light shield integrated in lid)
 - 1 x light shield for 16mm vials, Eppendorf vials and calibration
 - 1 x 24 mm vial adapter (built-i, exchangeable)
 - 1 x 10.5 cm plastic stirring rod
 - 1 x graduated 10ml plastic syringe
 - 1 x vial cleaning brush
 - 1 x microfibre cleaning cloth for vials
 - 1 x Battery-Charger with USB-cable (type C)

Ordering data:

Type:	Item number:
Photometer – Selection by parameter (basic device)	89231100

Reagent list:

Methods (ID xxx) and suitable reagents:	Item number:
Active Oxygen:	
<i>ID 01 Active Oxygen/0-40 mg/l/tablets/resolution 0.1</i>	99231000
50 tablets DPD N° 4	93231135
Alkaliinität:	
<i>ID 05 Alkaliinität-M/5-200 mg/l/tablets/Resolution 1</i>	99231002
50 tablets Alkaliinität-M	93231163
<i>ID 121 Alkaliinität-M (HR)/0-500 mg/l/tablets/Resolution 1</i>	99231002
50 tablets Alkalinity m-hr-	93231163
<i>ID 06 Alkaliinität-P/5-300 mg/L tablets/Resolution 1</i>	99231003
50 Tablets Alkaliinität-P	93231119
Aluminum:	
<i>ID 04 Aluminium/0-0.3 mg/l/tablets/resolution 0.01</i>	99231004
50 tablets Aluminium N° 1	93231093
50 tablets Aluminium N° 2	93231117
Ammonium:	
<i>ID 02 Ammonium (LR) /0-1 mg/L tablets/Resolution 0.01</i>	99231006
50 tablets Ammonium N° 1	93231094
50 tablets Ammonium N° 2	93231118
<i>ID 155 Ammonium (HR) / 1-50 mg/L/prepared ampoules + powder/Resolution 0.1</i>	99231006
Kit for ammonium:	
50 Ammonium HR vial	93231010
50 Ammonium salicylates F5 Powder Pack	
50 Ammonium Cynurate F5 Powder Pack	
100 ml VE-Water	
Adapter to use 16 mm Hoses	92231230
Ascamine:	
<i>ID 125 Acsamine 28F/0-100 mg/l/drop/Resolution 1</i>	99231007
65 ml PL Acsamine 1	93231032
65 ml PL Acsamine 2	93231033
<i>ID 145 Acsamine cc/0-100 mg/l/drop/Resolution 1</i>	99231008
65 ml PL Acsamine 1	93231032
65 ml PL Acsamine 2	93231033
<i>ID 146 Acsamine CCA/0-100 mg/l/drop/Resolution 1</i>	99231009
65 ml PL Acsamine 1	93231032
65 ml PL Acsamine 2	93231033
<i>ID 126 Acsamine DW/0-100 mg/l/drop/Resolution 1</i>	99231010
65 ml PL Acsamine 1	93231032
65 ml PL Acsamine 2	93231033
<i>ID 141 Acsamine DWBR1/0-100 mg/l/drop/Resolution 1</i>	99231011
65 ml PL Acsamine 1	93231032
65 ml PL Acsamine 2	93231033
<i>ID 142 Acsamine DWC/0-100 mg/l/drop/Resolution 1</i>	99231012
65 ml PL Acsamine 1	93231032
65 ml PL Acsamine 2	93231033
<i>ID 143 Acsamine SW/0-100 mg/l/drop/Resolution 1</i>	99231013
65 ml PL Acsamine 1	93231032
65 ml PL Acsamine 2	93231033
<i>ID 144 Acsamine SWC/0-100 mg/l/drop/Resolution 1</i>	99231014
65 ml PL Acsamine 1	93231032
65 ml PL Acsamine 2	93231033
Bor:	
<i>ID 07 Bor / 0-2 mg/l/tablets/resolution 0.1</i>	99231015
100 tablets Boron N° 1	93231096
50 tablets Boron N° 2	93231120
Bromine:	
<i>ID 08 Bromine/0-18 mg/l/tablets/resolution 0.01</i>	99231016

Subject to technical modifications and printing errors. Images may vary slightly from actual product.
20.08.2020

Reagent list:

Methods (ID xxx) and suitable reagents:	Item number:
50 tablets DPD N° 1	93231130
50 tablets Glycine	93231103
<i>ID 63</i> Bromine / 0-18 mg/l/drop/Resolution 0.01	99231017
30 ml PL DPD 1 A drop (125 tests)	93231015
30 ml PL DPD 1 B drops (125 tests)	93231016
20 g PL DPD Nitrite powder (285 tests)	93231071
<i>ID 128</i> Bromine / 0-4.5 mg/l /Resolution 0.01	99231018
100 Powder Pillow DPD Total Chlorine PP (100 Tests)	93231086
Carbohydrazid:	
<i>ID 71</i> Carbohydrazid/0-1.3 mg/l/ drop/Resolution 0.01	99231019
65 ml PL Oxygen Scavenger 1 (270 tests)	93231052
65 ml PL Oxygen Scavenger 2 (65 tests)	93231053
Chlorine amines:	
<i>ID 95</i> Chlorine Amines/0.00-8.00 mg/l /tablets/resolution 0.01	99231020
50 tablets DPD N° 1	93231130
50 tablets DPD N° 2	93231132
50 tablets DPD N° 3	93231133
Chloride:	
<i>ID 10</i> Chloride / 0.5-25 mg/l /tablets/resolution 0.1	99231021
50 tablets chloride N° 1	93231099
50 tablets chloride N° 2 (Hazardous material class 3077)	93231127
<i>ID 124</i> Chloride /0-100 mg/l /drop/Resolution 0.1	99231022
65 ML PL chloride 1 (108 tests), (Hazardous material class 3077)	93231034
65 ML PL chloride 2 (108 tests)	93231035
Chlorine:	
<i>ID 11</i> Chlorine (free-bound-total) / 0.00-8.00 mg/l/tablets /resolution 0.1	99231023
50 tablets DPD N° 1	93231130
50 tablets DPD N° 3	93231133
<i>ID 12</i> Chlorine (free-bound-total)/0.00-8.00 mg/l/ drop/ Resolution 0.01	99231024
30 ml PL DPD 1 A drop (125/250 tests)	93231015
30 ml PL DPD 1 b drops (125/250 tests)	93231016
30 ml PL DPD 3 C drops (250 tests)	93231017
<i>ID 129</i> Chlorine (free)/0-2 mg/l/ Resolution 0.01	99231025
100 Powder Pillow DPD free Chlorine (PP) (100 Tests)	93231085
<i>ID 122</i> Chlorine (MR)/0.00-10.00 mg/l /tablets/resolution 0.01	99231026
50 tablets DPD N° 1 Mr	93231131
50 tablets DPD N° 3 Mr	93231134
<i>ID 14</i> Chlorine (HR) 5-200 mg/l/tablets/Resolution 1	99231027
50 tablets chlorine hr (KI)	93231126
50 Tablets Acidifying GP	93231092
<i>ID 15</i> Chlorine (HR) 0-200 mg/l/ drop/Resolution 1	99231028
65 ml PL Chlorine HR 1 (541 Tests, Hazardous material class 2790)	93231037
65 ml PL Chlorine HR 2 (541 tests)	93231038
Chlorine dioxide:	
<i>ID 16</i> Chlorine dioxide / 0-15 mg/l/ tablets/resolution 0.01	99231029
50 tablets DPD N° 1	93231130
50 tablets Glycine	93231103
<i>ID 64</i> Chlorine dioxide / 0-15 mg/l/ drop/Resolution 0.01	99231030
30 ml PL DPD 1 A drop (125/250 tests)	93231015
30 ml PL DPD 1 b drops (125/250 tests)	93231016
30 ml PL DPD Glycine (250 tests)	93231019
<i>ID 130</i> Chlorine dioxide / 0-5 mg/l /drops + /Resolution 0.01	99231031
30 ml PL DPD Glycine (250 tests)	93231019
100 Powder Pillow DPD free Chlorine (PP) (100 Tests)	93231085
Total Oxidase:	
<i>ID 108</i> Total Oxidants / 0-8 mg/l /drop/Resolution 0.01	99231032

Subject to technical modifications and printing errors. Images may vary slightly from actual product.
20.08.2020

Reagent list:

Methods (ID xxx) and suitable reagents:	Item number:
30 ml PL DPD 1 A drop (125/250 tests)	93231015
30 ml PL DPD 1 b drops (125/250 tests)	93231016
30 ml PL DPD 3 C drops (250 tests)	93231017
30 ml PL DPD Acidifying (250 tests)	93231018
30 ml PL DPD Neutralizing (250 tests)	93231022
Chlorites:	
<i>ID 106</i> Chlorites / 0-8 mg/l/ drop/Resolution 0.01	99231033
30 ml PL DPD 1 A drop (125/250 tests)	93231015
30 ml PL DPD 1 b drops (125/250 tests)	93231016
30 ml PL DPD 3 C drops (250 tests)	93231017
30 ml PL DPD Acidifying (250 tests)	93231018
30 ml PL DPD Neutralizing (250 tests)	93231022
30 ml PL DPD Glycine (250 tests)	93231019
Chrome:	
<i>ID 94</i> Chrome / 0-2.2 mg/l /tablets/resolution 0.01	99231034
50 tablets Chrome N° 1	93231098
50 tablets Chrome N° 2	93231125
<i>ID 103</i> /Chrome / 0-1 mg/l/ Powder drop/Resolution 0.01	99231035
10 g PL chromate 1 (142 tests)	93231065
65 ml PL chromate E 2 (108 tests, hazardous material class 2796)	93231036
Chemical oxygen requirement (COD):	
<i>ID 79</i> COD (LR)/0-150 mg/l /prepared ampoules/Resolution 1	99231036
25 Tube tests Cod Lr (0-150 mg/l, hazardous material class 2922)	93231001
Adaptor for the use of 16mm hoses	92231230
Heating block for 8 x 16mm vials	92231500
<i>ID 80</i> /COD (MR)/0-1500 mg/l /prepared ampoules/Resolution 1	99231037
25 TubeTests Cod MR (0-1500 mg/l, hazardous material class 2922)	93231002
Adaptor for the use of 16 mm hoses	92231230
Heating block for 8 x 16 mm vials	92231500
Color:	
<i>ID 107</i> Colour/ 15-500 mg/l/ -/Resolution 1	99231039
Filter kit 0.45 µm	92231510
Copper:	
<i>ID 18</i> Copper / 0-5 mg/l/ tablets/resolution 0.01	99231040
50 tablets copper N° 1	93231100
50 tablets copper N° 2	93231128
<i>ID 19</i> Copper / 0-5 mg/l /powder/Resolution 0.01	99231041
10g PL Copper 1 (71 tests)	93231066
Cyanide:	
<i>ID 158</i> Cyanide / 0.01-0.50 mg/l /Powder drop/Resolution 0.01	99231042
Cyanide Kit	93231011
Cyanuric acid:	
<i>ID 20</i> Cyanuric Acid/2-160 mg/l/ tablets/Resolution 1	99231043
50 th Tablets CYA Test	93231122
Cyanacetamid (DBNPA):	
<i>ID 65</i> DBNPA / 0-13 mg/l /drop/Resolution 0.01	99231044
30 ml PL DPD 1 A drop (125/250 tests)	93231015
30 ml PL DPD 1 b drops (125/250 tests)	93231016
30 ml PL DPD 3 C drops (250 tests)	93231017
<i>ID 82</i> DBNPA / 0-13 mg/l/ tablets/resolution 0.01	99231045
50 tablets DPD N° 1	93231130
50 tablets DPD N° 3	93231133
Dehydroepiandrosterone (DEHA):	
<i>ID 21</i> DEHA / 20-1000 mg/l /drop/Resolution 10	99231046
65 ml PI Oxygen Scavenger 1 (270 Tests, hazardous material class 3264)	93231052
65 ml PL Oxygen Scavenger 2 (65 tests)	93231053

Subject to technical modifications and printing errors. Images may vary slightly from actual product.
20.08.2020

Reagent list:

Methods (ID xxx) and suitable reagents:	Item number:
Dissolved oxygen:	
<i>ID 163</i> Dissolved oxygen (0 -10 mg/l/ drop/Resolution 0.1)	99231047
30 ml PL DissOx 1 (75 Tests)	93231012
50 ML glass bottle with plug	92231520
30 ml PL DissOx 2 (75 tests)	93231013
30 ml PL DissOx 3 (75 tests)	93231014
Erythorbinsäure:	
<i>ID 70</i> Erythorbinsäure / 0-3.5 mg/l/ drop/Resolution 0.01	99231048
65 ml PL Oxygen Scavenger 1 (270 Tests, Hazardous material class 3264)	93231052
65 ml PL Oxygen Scavenger 2 (65 Tests, Hazardous material class 3264))	93231053
Fluorescein:	
<i>ID 113</i> Fluorescein / 0-500 µ g/l /Adapter/Resolution 1	99231049
Adapter Kit "Fluorescein" For ID 113. Case with Adaptor	92231530
Fluoride:	
<i>ID 72</i> Fluoride/0-2 mg/l/drop/Resolution 0.01	99231050
65 ml PL Fluoride 1 (32 Tests, Hazardous material class 1789)	93231040
65 ml PL Fluoride 2 (162 tests)	93231041
Calcium hardness:	
<i>ID 78</i> Hardness-calcium / 0-500 mg/l /tablets/Resolution 1	99231051
50 tablets calcium Hardness N° 1	93231097
50 tablets calcium Hardness N° 2	93231123
<i>ID 09</i> Hardness calcium (HR) / 50-1000 mg/l/ tablets/Resolution 1	99231053
50 tablets Calcium Hardness	93231124
Hardness Total:	
<i>ID 56/57</i> Hardness-Total (LR/hr)/2 (20)-50 (500) mg/l/tablets/Resolution 1	99231054
50 tablets Total Hardness	93231164
Hydrazine:	
<i>ID 23</i> Hydrazines / 5-600 mg/l/ drop/Resolution 1	99231056
65 ml PI Hydrazines 1 (162 tests)	93231044
Hydrocarbons in methanol (tank wash):	
Opacity Adapter Kit (NTU) For ID 112. Case with Adaptor	92231540
<i>ID 160</i> Hydrocarbons in methanol (tank wash)/yes/no/adaptor	99231057
Hydrogen peroxide:	
<i>ID 66</i> Hydrogen peroxide (LR) / 0-3.8 mg/l/ drop/Resolution 0.01	99231058
30 ml PL hydrogen peroxide LR 1 (250 tests)	93231025
30 ml PL hydrogen peroxide LR 2 (250 tests)	93231026
<i>ID 24</i> Hydrogen peroxide (LR) / 0-3.8 mg/l/ tablets/resolution 0.01	99231059
50 tablets Hyd. Peroxide LR	93231136
<i>ID 25</i> Hydrogen peroxide (HR) /0-200 mg/l drop/Resolution 1	99231060
65 ml PL hydrogen Peroxide HR 1 (541 Tests, Hazardous material class 2796)	93231042
65 ml PL Hydrogen Peroxide Rear 2 (541 tests)	93231043
<i>ID 162</i> Hydrogen peroxide (HR) /0-200 mg/l/ tablets/Resolution 1	99231061
50 Tablets Acidifying PT Photometer	93231095
50 tablets Hyd. Peroxide HR Photometer	93231137
Dewan:	
<i>ID 109</i> DEWAN / 50/0-300 mg/l/ drop/Resolution 1	99231062
Hydroquinone:	
<i>ID 26</i> Hydroquinone / 0-2.5 mg/l/drop/Resolution 0.01	99231063
65 ml PL Oxygen Scavenger 1 (270 Tests, Hazardous material class 3264)	93231052
65 ml PL Oxygen Scavenger 2 (65 tests)	93231053
Iodine:	
<i>ID 27</i> Iodine / 0-28 mg/l/ tablets/resolution 0.01	99231064
50 tablets Dpd N° 1	93231130
<i>ID 67</i> Iodine / 0-28 mg/l/ drop/Resolution 0.01	99231065
30 ml PL DPD 1 A drop (125/250 tests)	93231015
30 ml PL DPD 1 b drops (125/250 tests)	93231016

Subject to technical modifications and printing errors. Images may vary slightly from actual product.
20.08.2020

Reagent list:

Methods (ID xxx) and suitable reagents:	Item number:
Iron:	
<i>ID 28</i> Iron (LR) /0-1 mg/l/ tablets/resolution 0.01	99231066
Filter Kit 0.45 µm	92231510
50 tablets Iron Lr	93231138
<i>ID 29</i> Iron (MR)/0-10 mg/l/powder/Resolution 0.01	99231067
Filter Kit 0.45 µm	92231510
20g PL Iron Mr 1 (285 Tests)	93231072
<i>ID 127</i> Iron (MR) ferrous /0-10 mg/l/ powder/Resolution 0.01	99231068
20 g PL Iron Mr 2 ((400 tests)	93231073
<i>ID 30</i> Iron (HR) / 0-30 mg/l/ drop/Resolution 0.01	99231069
Filter Kit 0.45 µm	92231510
65 ml PL Iron Rear 1 (162/108 Tests, Hazardous material class 2810)	93231039
30 ml PL Iron Rear 2 (375 tests)	93231023
<i>ID 132</i> Iron Total / 0-3 mg/l/Resolution 0.01	99231070
100 Powder Pillow FerroVer® Iron (PP) (100 Tests)	93231087
Tank Wash:	
<i>ID 88</i> Tank wash / 0.0-10.0 mg/l/ drop/Resolution 0.1	99231072
30 ml PL Tank Wash 1 (187 tests)	93231027
65 ml PL Tank Wash 2 (108 tests)	93231045
65 ml PL Tank Wash 3 (85 Tests, Hazardous material class 2672)	93231046
65 ml PL Tank Wash 4 (108 Tests, Hazardous material class 1824)	93231047
30 ml PL Tank Wash 5 (150 tests, Hazardous material class 3264)	93231028
Magnesium:	
<i>ID 93</i> Magnesium / 0-100 mg/l/tablets/Resolution 1	99231074
50 tablets Magnesium Photometer	93231139
Manganese:	
<i>ID 31</i> Manganese / 0.2-5 mg/l/tablets/resolution 0.1	99231076
50 tablets manganese LR N° 1	93231107
50 tablets manganese LR N° 2	93231143
Methylethylketoxime:	
<i>ID 69</i> Methylethylketoxime / 0-4.1 mg/l/drop/Resolution 0.01	99231077
65ml PL Oxygen Scavenger 1 (270 Tests, Hazardous material class 3264)	93231052
65ml PL Oxygen Scavenger 2 (65 tests)	93231053
Molybdates:	
<i>ID 96</i> Molybdates (LR) / 0-15 mg/l/ tablets/resolution 0.01	99231078
50 tablets molybdates LR N° 1	93231106
50 tablets molybdates LR N° 2	93231142
<i>ID 33</i> Molybdates (HR) / 5-200 mg/l/ drop/Resolution 0.1	99231079
65 ml PI Molybdates 1 (162 Tests, Hazardous material class 2810)	93231048
<i>ID 32</i> Molybdates /1-100 mg/l/tablets/resolution 0.1	99231080
50 tablets molybdates HR N° 1	93231105
50 tablets molybdates HR N° 2	93231141
<i>ID 134</i> Molybdates (HR) / 0-40mg/l/ Resolution 0.1	99231081
100 Powder Pillow MolyVer ® 1 (PP) (100 Tests)	93231088
100 Powder Pillow MolyVer ® 2 (PP) (100 Tests)	93231089
100 Powder Pillow MolyVer ® 3 (PP) (100 Tests)	93231090
Nickel:	
<i>ID 90</i> Nickel (HR) / 0-7 mg/l/ tablets/resolution 0.1	99231082
50 tablets nickel rear N° 1	93231108
50 tablets nickel rear N° 2	93231144
<i>ID 100</i> Nickel (HR) / 0-10 mg/l/ drop/Resolution 0.1	99231083
65 ml PL Nickel Rear 1 (100 Tests)	93231049
30 ml PL Nickel Rear 2 (150 tests)	93231029
30 ml PL Nickel Rear 3 (150 tests)	93231030
Nitrat:	
<i>ID 34</i> Nitrat / 0.00 - 11.00 mg/l/ Pulver-Tropfen / Auflösung 0.1	99231084

Subject to technical modifications and printing errors. Images may vary slightly from actual product.
20.08.2020

Reagent list:

Methods (ID xxx) and suitable reagents:	Item number:
20 g PL Nitrate 1 (285 tests)	93231074
65 ml PL Nitrate 2 (162 tests)	93231050
Nitrite:	
<i>ID 35</i> Nitrite (LR) / 0-0.5 mg/l/ tablets/resolution 0.01	99231085
50 tablets Nitrite Lr	93231146
<i>ID 36</i> Nitrite (HR) / 5-200 mg/l /powder/Resolution 0.1	99231086
10 g PL nitrite HR 1 (142 Tests, Hazardous material class 3260)	93231067
<i>ID 97</i> Nitrite (HR) / 0-1500 mg/l/ tablets/Resolution 1	99231087
50 tablets nitrite HR 1 photometer	93231109
50 tablets nitrite HR 2 photometer	93231145
<i>ID 101</i> Nitrite (HR) / 0-3000 mg/l/ drop/Resolution 1	99231088
65 ml PL Nitrite HR 2 (108 tests)	93231051
Nitrogen (total):	
<i>ID 151</i> Nitrogen-Total (LR) / 0.5-25 mg/l/ prepared ampoules + powder packs/Resolution 0.1	99231089
Kit for nitrogen-total LR (für ID 151)	93231006
Adaptor for the use of 16 mm hoses	92231230
Heating block for 8 x 16 mm-phials	92231500
<i>ID 152</i> /Nitrogen-Total (HR) / 5-150 mg/l/ prepared ampoules + powder Packs/Resolution 1	99231090
Kit for nitrogen-total HR (für ID152)	93231007
Adaptor for the use of 16 mm hoses	92231230
Heating block for 8 x 16 mm-phials	92231500
Ozone:	
<i>ID 37</i> Ozone / 0-5.4 mg/l/ tablets/resolution 0.01	99231091
50 tablets DPD N° 1	93231130
50 tablets DPD N° 3	93231133
50 tablets Glycine	93231103
<i>ID 92</i> /Ozone / 0-5.4 mg/l/ drop/Resolution 0.1	99231092
30 ml PL DPD 1 A drop (125/250 tests)	93231015
30 ml PL DPD 1 b drops (125/250 tests)	93231016
30 ml PL DPD 3 C drops (250 tests)	93231017
30 ml PL DPD Glycine (250 tests)	93231019
Permanganate Time Test in methanol (tank wash):	
<i>ID 159</i> Permanganates Time Test in methanol (tank wash) / 0 -100% t/ tablets/Resolution 0.1	99231095
50 tablets PTT	93231156
Ph:	
<i>ID 38</i> Ph Value (MR) / 6.5-8.4/tablets/ Resolution 0.01	99231097
50 Tablets Phenol Red	93231150
<i>ID 39</i> Ph Value (MR) / 6.5-8.4/drop/ Resolution 0.01	99231098
65 ml PL PH 6.4-8.4 (270 tests)	93231054
<i>ID 41</i> PH-UNIVERSAL / 5-11/tablets/ Resolution 0.1	99231099
50 Tablets Universal PH	93231165
<i>ID 42</i> PH-UNIVERSAL/4-11/drop/ Resolution 0.1	99231100
65 ml PL ph 4-11 (162 tests)	93231064
Phenol:	
<i>ID 98</i> Phenol / 0-5 mg/l/ tablets/resolution 0.01	99231101
50 tablets phenol N° 1	93231112
50 tablets phenol N° 2	93231151
50 Tablets Phenol CR	93231152
PHMB:	
<i>ID 43</i> PHMB / 2-60 mg/l/ tablets/Resolution 1	99231102
50 tablets PHMB	93231149
Phosphate ortho:	
<i>ID 44</i> Phosphate-ortho (LR) / 0-4 mg/l/ tablets/resolution 0.01	99231103
100 tablets phosphate LR N° 1	93231114
50 tablets phosphate LR N° 2	93231154
<i>ID 45</i> Phosphate-Ortho (LR) / 0-4 mg/l/ powder-drop/Resolution 0.01	99231104

Subject to technical modifications and printing errors. Images may vary slightly from actual product.
20.08.2020

Reagent list:

Methods (ID xxx) and suitable reagents:	Item number:
65 ml PL phosphate LR 1 (65 tests)	93231060
10 g PL phosphate LR 2 (142 tests)	93231068
<i>ID 46</i> Phosphate-ortho (HR) / 0-80 mg/l/ tablets/resolution 0.1	99231105
100 tablets phosphate HR N° 1	93231113
50 tablets phosphateHR N° 2	93231153
Filter-Kit GF/C	92231550
<i>ID 47</i> Phosphate-Ortho(HR) / 0 - 100 mg/l/ drops/ Resolution	99231106
65 ml PL phosphate HR 1 (65 tests)	93231058
65 ml PL phosphate HR 2 (65 tests)	93231059
Filter-Kit GF/C	92231550
Phosphonate:	
<i>ID 87</i> Phosphonate / 0-20 mg/l/ Powder drop/Resolution 0.01	99231107
Filter-Kit GF/C	92231550
65 ml PL phosphonate 3 (81 tests)	93231057
65 ml PL phosphonate 3 (81 tests)	93231057
20 g PL phosphonate 1 (285 tests)	93231075
20 g PL phosphonate 2 (285 tests)	93231076
20 g PL phosphonate 4 (285 tests)	93231077
<i>ID 110</i> Phosphonate/0-20 mg/l/ tablets/resolution 0.01	99231108
Filterset GF/C	92231550
50 Tablets OrgaPhos-ox	93231111
50 tablets OrgaPhos N° 1	93231147
100 tablets OrgaPhos N° 2	93231148
50 tablets OrgaPhos N° 3	93231110
Phosphorus-Total:	
<i>ID 153</i> Phosphorus-Total (LR) 0 – 2.6 mg/l/ prepared ampoules + powder drop tablets/Resolution 0.01	99231109
Adapter to use 16 mm Hoses	92231230
Heating block for 8 x 16 mm vials	92231500
Phosphorus Kit 0-2.6 mg/l (Hazard class: 3268, 3215, 1824)	93231008
<i>ID 154</i> Phosphorus-Total (HR) 0 – 52 mg/l/ prepared ampoules + powder drop tablets/Resolution 0.1	99231110
Adapter to use 16 mm Hoses	92231230
Heating block for 8 x 16 mm vials	92231500
Phosphorus Kit 0-52 mg/l (hazardous substance : 3268, 3215, 1824, 3290)	93231009
Polyacrylates:	
<i>ID 85</i> Polyacrylate/1-30 mg/l/drop/Resolution 0.1	99231111
65 ml PL polyacrylate 1 (65 tests, hazardous substance 3267)	93231055
65 ml PL polyacrylate 2 (65 tests, hazardous substance 3082)	93231056
Potassium:	
<i>ID 48</i> Potassium/0.7-12 mg/l/tablets/resolution 0.1	99231112
50 tablets Potassium	93231155
PTSA:	
<i>ID 111</i> PTSA/0-1000 µ g/l/ Adapter/Resolution 1	99231113
Adapter Kit "PTSA" for ID 111. Case with adaptor, batteries	92231560
<i>ID 157</i> PTSA Tracer/0-1000 µ g/l/ Resolution 1	99231114
Adapter Kit "PTSA" for ID 111. Case with adaptor, batteries	92231560
<i>ID 156</i> PTSA Watch Products/0-1000 µ g/l/ Resolution 1	99231115
Adapter Kit "PTSA" for ID 111. Case with adaptor, batteries	92231560
QAC:	
<i>ID 83</i> QAC/25-150 mg/l/ tablets/Resolution 1	99231116
50 Tablets Acidifying GP	93231092
50 Tablets QAC HR	93231157
Silica:	
<i>ID 49</i> Silica (LR)/0-5 mg/l/ Drop powder/Resolution 0.01	99231117
65 ml PL silica LR 1 (162 tests)	93231061
65 ml PL Silica LR 2 (162 tests)	93231062
40 g PL silica LR 3 (190 tests)	93231079

Subject to technical modifications and printing errors. Images may vary slightly from actual product.
20.08.2020

Reagent list:

Methods (ID xxx) and suitable reagents:	Item number:
<i>ID 50</i> silica (HR)/0-100 mg/l/ powder/Resolution 1	99231118
20 g PL Silica Rear 1 (142 tests)	93231078
60 g PL silica Rear 2 (241 tests, Hazardous material class 2967)	93231080
10 g PL Silica Rear 3 (142 tests)	93231069
Sodium hypochlorite:	
<i>ID 51</i> Sodium hypochlorite / 0.2-40%/ tablets/Resolution 0.1	99231119
100 ML measuring cups	92231570
50 tablets chlorine hr (KI)	93231126
<i>50 tablets acidifying GP</i>	93231092
<i>ID 68</i> Sodium hypochlorite / 0.2-40%/drop/ Resolution 0.1	99231120
65 ml PL Chlorine HR 1 (541 Tests, Hazardous material class 2710)	93231037
65 ml PL Chlorine HR 2 (541 tests)	93231038
Sulfate:	
<i>ID 54</i> sulphate / 5-100 mg/l/ Tablets Resolution 1	99231121
50 Tablets Sulphate	93231161
<i>ID 55</i> sulphate / 5-100 mg/l/ powder/Resolution 1	99231122
10 g PL Sulphate 1 (142 tests)	93231070
Sulphide:	
<i>ID 52</i> Sulphide / 0.0-0.5 mg/l/ tablets/resolution 0.01	99231123
10g PL Sulphate 1 (142 Tests, Hazardous material class 1759)	93231070
50 tablets Sulphide N ° 2	93231158
Sulfit:	
<i>ID 53</i> Sulphite (LR) / 0-10 mg/l/ tablets/resolution 0.1	99231125
50 tablets Sulphite LR	93231160
<i>ID 105</i> sulphite (HR)/0-300 mg/l/ tablets/resolution 0.1	99231126
50 tablets Sulfitst n ° 1	93231116
50 tablets Sulfitst N ° 2	93231159
Suspended Material:	
<i>ID 81</i> Suspended material /0-750 mg/L Resolution 1	99231127
Tannic acid:	
<i>ID 91</i> tannic acid/0-150 mg/l/ Tropfen/Resolution 0.1	99231128
65 ml PL tannin 1 (65 tests)	93231063
30 ml PL tannin 2 (125 tests)	93231031
Transmission:	
<i>ID 114</i> transmission on 420nm/0-100%/Resolution 0.1	99231129
<i>ID 115</i> transmission on 470nm/0-100%/Resolution 0.1	99231130
<i>ID 116</i> transmission on 520nm/0-100%/Resolution 0.1	99231131
<i>ID 117</i> transmission on 570nm/0-100%/Resolution 0.1	99231132
<i>ID 118</i> transmission on 620nm/0-100%/Resolution 0.1	99231133
<i>ID 119</i> transmission on 670nm/0-100%/Resolution 0.1	99231134
Turbidity:	
<i>ID 59</i> Turbidity / 20-1000 mg/l (FAU)/Resolution 1	99231135
<i>ID 112</i> Turbidity / 0-1100 mg/l (NTU)/adapter/Resolution 0.01	99231136
Opacity Adapter Kit (NTU) for ID 112Case with Adaptor	92231540
Urea:	
<i>ID 120</i> Urea / 0.1-2.5 mg/l/ tablets + drop/Resolution 0.1	99231137
30 ml PL Urea 1 (375 tests)	93231024
10 ml PL Urea 2 (250 tests)	93231005
50 tablets Ammonium N° 1	93231094
50 tablets Ammonium N° 2	93231118
<i>ID 150</i> urea/0.2-5.0 mg/l/ tablets + drop/Resolution 0.2	99231138
30 ml PL Urea 1 (375 tests)	93231024
10 ml PL Urea 2 (250 tests)	93231005
50 tablets Ammonium N° 1	93231094
50 tablets Ammonium N° 2	93231118
Zinc:	

Subject to technical modifications and printing errors. Images may vary slightly from actual product.
20.08.2020

Reagent list:

Methods (ID xxx) and suitable reagents:	Item number:
<i>ID 62 Zinc/0- 1 mg/l/ tablets/Resolution 0.01</i>	99231139
50 tablets copper/zinc LR	93231129
50 Tablets EDTA	93231102

1

Mobile laboratory – sample evaluation on site within the hour.

Product description:

- The live, active Legionella are genetically „captured“ and attached to magnetic micro bits. The Legionella are separated via magnetic filters and rinses in several steps.
- The bacteria are rendered visible by colour tracers. The quantity of Legionella is then ascertained by means of spectrophotometry and displayed.
- The procedure consists of several process steps, lasting around a total of 60 minutes. Several samples can be processed at the same time.
 - Quantitative results:
 - When analysing a 1000 ml sample, accuracy of 60 – 106 CFU/1000 ml is obtained.
 - This is the equivalent of 6 CFU/100 ml. Higher accuracies can be achieved by enlarging the sample.
- Benefits:
 - Measurement results are immediately available, after approx. 60 minutes.
 - The 10-day breeding period of the cultures in the incubator is eliminated.
 - The speed of response to any exceedance of threshold values and margin for action between regulatory checks is substantially higher.
- Measurement can be performed on site. This means that any misinterpretation due to transportation, which is limited to 24 h by standards, and the absence of a cooling system can be excluded. The test can be performed with the customer's own instructed personnel.
- Restriction:
 - This method is (still) not recognised by German authorities as a replacement for laboratory measurements via cultures to DIN EN ISO
- N.B.
 - When performing multiple measurements, one extra set of consumables and reagents kit are required for the „clean water“ comparative sample.
 - The sampler's completion of a course to VDI 2047 or accreditation as a laboratory sampler is recommended but not required.

Areas of application:

- Inspection of water systems for contamination with Legionella in drinking, cooling and service water (industrial, public, private).



Ordering data:

Typ:	Item number:
Mobile laboratory – Legionella Kit (semi-automatic)	89231510
Mobile laboratory – Consumables - Kit hundredfold, 50 – 99 measurements	92231400
Mobile laboratory – Reagent - Kit 10, for 5 – 9 measurements	92231200
Mobile laboratory – Reagent - Kit 40, for 20 – 39 measurements	92231210
Mobile laboratory – Reagent - Kit 100, for 50 – 99 measurements	92231220

Subject to technical modifications and printing errors. Images may vary slightly from actual product.
20.10.2020



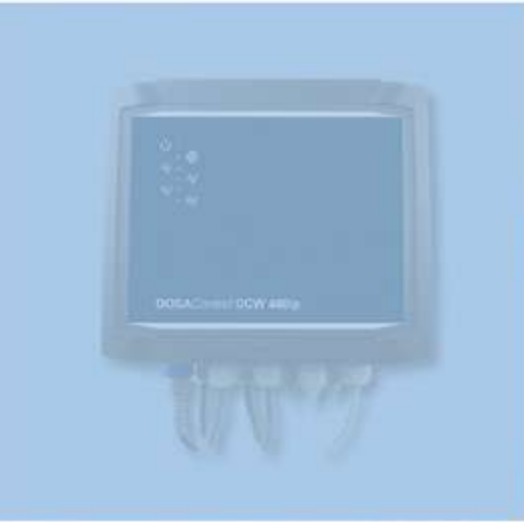
Scope of supply:

- **DOSAControl Mobile laboratory for Legionella measurement Kit**
filtering with a pump and agitator for up to 20 cuvettes:
- 1 storage and transportation in aluminium case, transport of agitator outside the case
- 1 photometer (detailed description see below Photometer – „Selection by parameter“)
- Small parts, consisting of:
 - 4 x 24 mm / 10 ml glass cuvettes with lid (light protection integrated in the lid)
 - 1 x Luminous lid for 16 mm cabins
 - 1 x 10,5 cm plastic stirring rod
 - 1 x graduated 10 ml plastic syringe
 - 1 x bottle cleaning brush, 1 x microfibre cleaning cloth for vials
 - 1 x 24 mm kitchen adapter (built-in, interchangeable)
 - 1 agitator (shakes the cuvettes), electronic, holds 5 cuvette holders magnetic units for four 10 ml cuvettes apiece, thus 20 x 10 ml cuvettes in total 1 table mat in synthetic fabric for correct placement of cuvette holders, as a template to ensure sufficient spacing between the magnets
 - 4 cuvette holders, magnetic units for four 10 ml cuvettes apiece, addition of small parts for same-time processing of 19 + 1 samples
 - 16 x 24 mm/10 ml cuvette
 - 1 laboratory dropper (0.0 – 1.0 ml)
 - 10 x 60 ml elution beakers
 - 1 filter set with 1 vacuum pump, 1 x 500 ml filtering head,
 - 1 x 1000 ml glass bottle, 1 x tweezers, 1 x scissors, 10 x elution beakers,
- Consumables:
 - starter kit for up to 99 measurements:
 - 100 x 47 mm prefilters, 100 x polycarbonate filters 0.40 µm, 10 x 1 ml dropper heads
- Reagents (not included, see scope of supply for ordering/reagents)

Scope of supply: consumables, reagents

- **DOSAControl Mobile laboratory consumables** (100-fold, 50 ... 99 measurements):
 - 80 x pipette attachments for PLSp-PIP1 ml laboratory pipette, 80 x 60 ml elution cup 100 x 47mm GF/C (pre) filter for professional filter equipment, 100 x 47mm 0.40 µ polycarbonate filters for professional filter equipment
- **DOSAControl Mobile laboratory reagent - Kit 10**
 - Kit for measuring Legionella content (spp.) of fluids
 - Can be used for min. 5 tests / 5 controls for up to max. 9 tests / 1 control.
 - Kit contains:
 - 1 bottle (110 ml) „L0 Diluent“, 10 single doses (1 ml each) „L1 Capture Reagent“, 1 bottle (200 ml) „L2 Washing buffer“, 10 single doses (1 ml each) „L3 Enzyme-labelled antiLegionella“, 5 x tetra doses (5 ml each) „L4 Enzyme-co-substrates“, 1 bottle (2 ml) „L5 Stopping reagent“,
 - 10 x CB 1 ml cuvettes, 10 x MHCB 9 ml cuvettes, 5 disposable droppers
- **DOSAControl Mobile laboratory reagent - Kit 40**
 - Kit for measuring Legionella content (spp.) of fluids
 - Can be used for min. 20 tests / 20 controls for up to max. 39 tests / 1 control.
 - Kit contains:
 - 1 bottle (420 ml) „L0 Diluent“, 1 bottle (42 ml) „L1 Capture Reagent“
 - 1 bottle (750 ml) „L2 Washing buffer“, 1 bottle (42 ml) „L3 Enzymelabelled anti-Legionella“, 15 tetra doses (5 ml each) „L4 Enzyme-co-substrates“, 1 bottle (4.4 ml) „L5 Stopping reagent“, 40 x CB 1 ml cuvettes
 - 40 x MHCB 9 ml cuvettes
- **DOSAControl Mobile laboratory reagent - Kit 100**
 - Kit for measuring Legionella content (spp.) of fluids
 - Can be used for min. 100 tests / 100 controls for up to max. 99 tests / 1 control.
 - Kit contains:
 - 1 x 1050 ml „L0 Diluent“, 1 x 105 ml „L1 Capture reagent“, 2 x 940 ml „L2 Washing buffer“, 1 x 105 ml „L3 Enzyme-labelled anti-legionella“, 35 tetra doses (5 ml each) „L4 Enzyme-co-substrates“, 1 x 11 ml „L5 stopping reagent“, 100 x 1 ml CB cuvettes, 100 x 9 ml MHCB cuvettes

Subject to technical modifications and printing errors. Images may vary slightly from actual product.
20.10.2020



1. Measurement & control equipment

1.4. Density- and level control

1.4.1.

DOSAControl Level

Device for monitoring the density of liquids, for example for the saturation of salt in water, using a float switch.



Product description:

- Level lance with float switch, vertical installation
- limit value is exceeded, flashing red
- switchable relay, from NO to NC
- Float switch with reed contact, vertical assembly
- Warns if the limit is exceeded, flashes red
- Alarm, with preset time delay, permanent red light and acoustic warning
- Contact switch: opened by an optocoupler

Areas of application:

- Measurement of the saturation/density of a liquids solution.

Scope of supply:

- **DOSAControl Level**, level lance with float switch, power adapter 12 V, 500 mA

Ordering data:

Type:	Item number:
DOSAControl Level	2188035



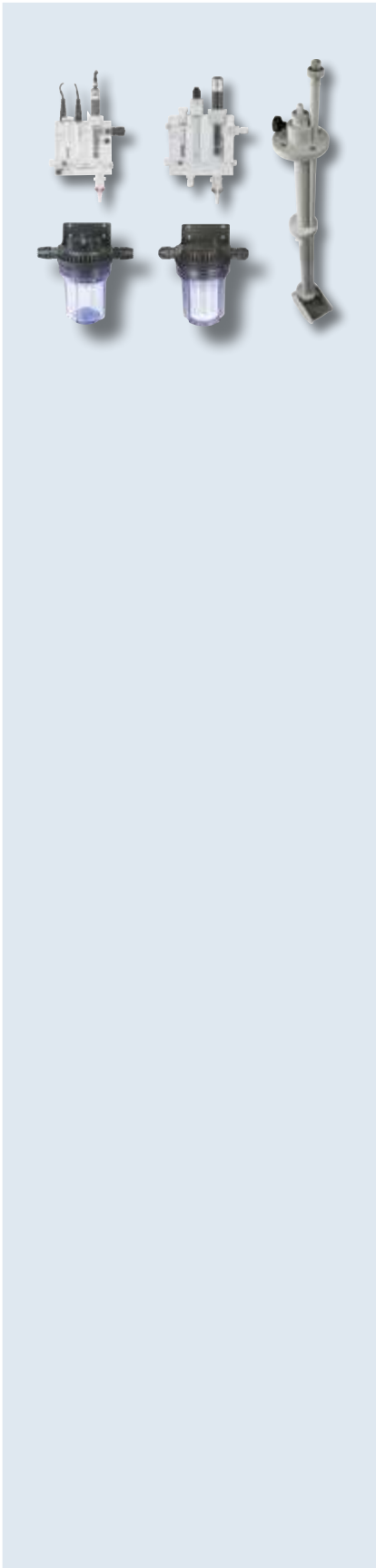
2. Sensors

Table of contents

2. Sensors	51
2.1. Electrodes	55
2.1.1. DOSA<i>Sens</i> pH electrode HGR	57
2.1.2. DOSA<i>Sens</i> pH electrode PHGB2F	58
2.1.3. DOSA<i>Sens</i> pH electrode PH-2	59
2.1.4. DOSA<i>Sens</i> pH electrode PHRT-2	60
2.1.5. DOSA<i>Sens</i> Redox electrode PFGR-2	61
2.1.6. DOSA<i>Sens</i> Redox electrode MVRHT-2	62
2.1.7. DOSA<i>Sens</i> Redox electrode RHGB2F	63
2.1.8. DOSA<i>Sens</i> Redox electrode MV-2	64
2.1.9. DOSA<i>Sens</i> Electrode connection cable	65
2.1.10. DOSA<i>Sens</i> Buffer solutions	66
2.2. Conductivity / Turbidity / Oxygen / Temperature	67
2.2.1. DOSA<i>Sens</i> Conductivity meter I-mA	69
2.2.2. DOSA<i>Sens</i> Conductivity measuring cells E/E/HT	70
2.2.3. DOSA<i>Sens</i> Conductivity measuring cells E/E	71
2.2.4. DOSA<i>Sens</i> Conductivity measuring cells E/PT	72
2.2.5. DOSA<i>Sens</i> Conductivity measuring cells E/P	73
2.2.6. DOSA<i>Sens</i> Conductivity measuring cells E/P immersion model	74
2.2.7. DOSA<i>Sens</i> Conductivity measuring cells G/P	75
2.2.8. DOSA<i>Sens</i> Conductivity measuring cells G/P immersion model	76
2.2.9. DOSA<i>Sens</i> Conductivity Sensor C8325.5	77
2.2.10. DOSA<i>Sens</i> Turbidity cell TU 8325	78
2.2.11. DOSA<i>Sens</i> Oxygen measuring cells OD8325, OD8525	79
2.2.12. DOSA<i>Sens</i> Temperature sensor CG 21 Pt 100	81
2.2.13. DOSA<i>Sens</i> Temperature sensor ETE	82
2.3. Amperometric Sensors	83
2.3.1. DOSA<i>Sens</i> Chlorine sensor CL2.2	85
2.3.2. DOSA<i>Sens</i> Chlorine sensor CL4.2	87
2.3.3. DOSA<i>Sens</i> Chlorine sensor CC1	91
2.3.4. DOSA<i>Sens</i> Chlorine sensor CS4	93
2.3.5. DOSA<i>Sens</i> Chlorine sensor CS4-...-SW	95
2.3.6. DOSA<i>Sens</i> Chlorine sensor AS2, AS3	97
2.3.7. DOSA<i>Sens</i> Chlorine sensor CP4.0	101
2.3.8. DOSA<i>Sens</i> Chlorine sensor CP4.0-...-SW	103
2.3.9. DOSA<i>Sens</i> Chlorine sensor CH10	105
2.3.10. DOSA<i>Sens</i> Chlorine sensor ILS2	107
2.3.11. DOSA<i>Sens</i> Chlorine sensor CN1.1	109
2.3.12. DOSA<i>Sens</i> Chlorine dioxide sensor CD4.2	111
2.3.13. DOSA<i>Sens</i> Chlorine dioxide sensor CD10.1	113
2.3.14. DOSA<i>Sens</i> Chlorine dioxide sensor AS2, AS3	115
2.3.15. DOSA<i>Sens</i> Chlorine dioxide sensor ILS2	117
2.3.16. DOSA<i>Sens</i> Open amperometric sensor KC	119
2.3.17. DOSA<i>Sens</i> Chlorite sensor MST1	121
2.3.18. DOSA<i>Sens</i> Bromine sensor BR1	123
2.3.19. DOSA<i>Sens</i> Ozone sensor OZ1.2	125
2.3.20. DOSA<i>Sens</i> Ozone sensor OZ10.1	127
2.3.21. DOSA<i>Sens</i> Hydrogen peroxide sensor WP7	129
2.3.22. DOSA<i>Sens</i> Hydrogen peroxide sensor WP10	131
2.3.23. DOSA<i>Sens</i> Peracetic acid sensor P9.2	133
2.3.24. DOSA<i>Sens</i> Peracetic acid sensor PES7	135
2.3.25. DOSA<i>Sens</i> Peracetic acid sensor P10	137
2.3.26. DOSA<i>Sens</i> Connection cable AK	139
2.3.27. DOSA<i>Sens</i> Replacement electrolytes E	140
2.3.28. DOSA<i>Sens</i> Replacement electrolytes E	141



Table of contents



2.3.29.	DOSA Sens Membrane caps M	143
2.3.30.	DOSA Sens Simulator pH, redox and chlorine	145
2.3.31.	DOSA Sens Simulator SIM11.1n	146
2.3.32.	DOSA Sens Simulator/Tester pH, redox, mV or mA signal	147
2.4.	Probe holder	149
2.4.1.	DOSA Sens Flow cell DF	151
2.4.2.	DOSA Sens Flow cell DAS	152
2.4.3.	DOSA Sens Flow cell ETA	153
2.4.4.	DOSA Sens Flow cell ILS	155
2.4.5.	DOSA Sens Flow cell PA	157
2.4.6.	DOSA Sens Flow cell DFA	158
2.5.	Filter technology	159
2.5.1.	DOSA Sens Filter VF/80 5"	161

Legal notice

DOSATRONIC GmbH

Zuppingerstraße 8
D-88213 Ravensburg
☎: +49 751 / 295 12- 0
✉: +49 751 / 295 12- 190
info@dosatronic.de
www.dosatronic.de
Registered office: Ravensburg HRB 552723
USt-IdNr.: DE812973283

Valid from: **May 2022**

Rights

DOSATRONIC GmbH All rights reserved.

All trademarks referred to or depicted in this document are the property of their respective owners.

Concept, design, implementation, print processing:
DOSATRONIC GmbH, technical editing

Photos: Adobe Stock; **DOSATRONIC GmbH**, technical editing.

Translation from German: **DOSATRONIC GmbH** Assistant to the management,
SK Technical Translations - Sonja Schuberth-Kreutzer

No information contained in these product catalog may be reproduced or transmitted without the prior written permission of **DOSATRONIC GmbH**.

Note

We are committed to continuously improving our products. The information provided in these Operating Instructions may occasionally be at variance with the product itself if technological are made or in order to comply with safety related requirements.



2. Sensors

2.1. Electrodes

2.1.1.

DOSA*Sens* pH electrode HGR

Combination glass electrodes with integrated reference system.



Product description:

- Closed electrode shaft
- No topping up of KCl electrolyte needed
- Protected reference system of the integrated reference electrode with long diffusion path of up to 120 mm
- Particularly long service life
- Quick response, even with fluctuating temperature

2

Areas of application:

- Media with a high load of solids in municipal, industrial wastewater and process applications.

Scope of supply:

- **DOSA*Sens* HGR**, glass electrode with annular gap

Ordering data:

Type:	pH range: pH	Temperature range: °C	Pressure range bar	Conductivity: µS/cm	Item number:
HGR (annular gap)	0–14	0–80	0–6	> 500	31235030

Additional technical data:

Type:	Diaphragm:	Shaft length: mm	Cable connection:	Connection:
HGR (annular gap)	Annular gap	120	SN 6	PG 13.5

Subject to technical modifications and printing errors. Images may vary slightly from actual product.
05.07.2021

2.1.2. DOSASens pH electrode PHGB2F

Especially stable reference system with gel electrolyte and additional salt reserve for long service life.

Product description:

- High-grade pH combination electrode with ceramic diaphragm
- No ion loss from the electrolyte due to small contact surface
- Especially stable reference system with gel electrolyte and additional KCl reserve

Areas of application:

- Particularly suitable for swimming pool technology and for general water treatment applications.

Scope of supply:

- DOSASens PHGB2, glass electrode with PG 13.5 thread, 0.8 m fixed cable and BNC plug with red cap, wetting cup with holder



Ordering data:

Type:	pH range: pH	Temperature range: °C	Pressure range: bar	Item number:
PHGB2F	0–14	0– 50	0– 6	31220000

Additional technical data:

Type:	Diaphragm:	Shaft length: mm	Cable connection:	Connection: thread
PHGB2F	Ceramic	100	BNC plug	PG 13.5

Subject to technical modifications and printing errors. Images may vary slightly from actual product.
04.07.2016

2.1.3.

DOSASens pH electrode PH-2

Especially stable reference system with gel electrolyte and additional KCl reserve.



Product description:

- Standard electrode with ceramic diaphragm
- No ion loss from the electrolyte due to small contact surface
- Model with glass shaft (GK): for process and wastewater applications
- Model with polysulfone shaft (PK): for swimming pool applications with long service life

2

Areas of application:

- Glass shaft: process and wastewater applications, water treatment.
- Polysulfone shaft: particularly suitable for swimming pool applications suitable for sea water.

Scope of supply:

- DOSASens PHGK-2 glass electrode
- DOSASens PHPK-2 electrode with polysulfone shaft

Ordering data:

Type:	pH range: pH	Temperature range: °C	Pressure range: bar	Item number:
PHGK-2 (glass shaft)	0–14	-5 to +80	0–6	3189001
PHPK-2 (polysulfone shaft)				3189003

Additional technical data:

Type:	Shaft length: mm	Cable connection:	Connection: thread
PHGB2F (glass shaft)	120	SN6	PG 13.5
PHPK-2 (polysulfone shaft)			

Subject to technical modifications and printing errors. Images may vary slightly from actual product.
04.07.2016

2.1.4. DOSASens pH electrode PHRT-2

Rugged, almost maintenance-free and dirt-repellent PTFE ring diaphragm.

Product description:

- Long-term monitoring and limit control in processes with stable process conditions
- Available in three lengths

Areas of application:

- Process applications: Paper industry, power plants (e.g. flue gas scrubbing), waste incineration plants.
- Water treatment: drinking water, boiler feed water, cooling water, well water, pure water.

Scope of supply:

- DOSASens PHRT-2, glass electrode with ring diaphragm

Ordering data:

Type:	pH range: pH	Temperature range: °C	Pressure range bar	Item number:
PHRT-2	1–12	-15 to +80	0–6	3151122

Additional technical data:

Type:	Diaphragm:	Shaft length: mm	Cable connection:	Connection: thread
PHRT-2	Ring diaphragm	120	SN 6	PG 13.5

Subject to technical modifications and printing errors. Images may vary slightly from actual product.
04.07.2016

2.1.5.

DOSASens Redox electrode PFGR-2

Glass electrode with annular gap Gel-filled redox electrode for use in municipal and industrial wastewater applications or the electroplating industry.



Product description:

- Closed electrode shaft
- No topping up of KCl electrolyte needed
- Protected reference system of the integrated reference electrode with long Diffusion path of 120 mm,
- resulting in significantly improved service life and very low electrode drift
- Exceptionally high repeatability of the measurement results

2

Areas of application:

- Wastewater applications
- Electroplating

Scope of supply:

- **DOSASens PFGR-2**, redox glass electrode with annular gap

Ordering data:

Type:	Conductivity: μS/cm	Measuring range: mV	Pressure range: bar	Temperature range: °C	Item number:
PFGR-2/120	> 500	-1500 to +1500	0–6	-5 to +60	3151065

Additional technical data:

Type:	Conduction system:	Measuring element:	Shaft length: mm	Cable connection:	Connection: thread
PFGR-2/120	Ag/AgCl	Platinum	120	SN 6	PG 13.5

Subject to technical modifications and printing errors. Images may vary slightly from actual product.
14.11.2016

2.1.6.

DOSA*Sens* Redox electrode MVRTHT-2

Electrode with dirt-repellent PTFE diaphragm.



Product description:

- Low maintenance and robust due to a large, dirt-repellent ring diaphragm made of PTFE
- Measurements can even be carried out at very low conductivities due to the integrated KCl reserve
- Measuring element: Platinum ring

Areas of application:

- Long-term monitoring and limit control in processes with stable process conditions e.g. for water treatment (drinking water, boiler feed water, cooling water, well water, pure water, or municipal and industrial wastewater and process applications (paper industry, power plants.
- (e.g. flue gas scrubbing), waste incinerators, food industry
- (e.g. fermenters), breweries

Scope of supply:

- DOSA*Sens* MVRTHT-2, electrode with dirt-repellent PTFE diaphragm

Ordering data:

Type:	Conductivity: μS/cm	Measuring range: mV	Pressure range: bar	Temperature range: °C	Item number:
MVRTHT-2	> 500	-1500 to +1500	0–6	-15 to +110	3151125

Additional technical data:

Type:	Conduction system:	Measuring element:	Shaft length: mm	Cable connection:	Connection: thread
MVRTHT-2	Ag/AgCl	Platinum ring	120	SN 6	PG 13.5

Subject to technical modifications and printing errors. Images may vary slightly from actual product.
14.11.2016

2.1.7.

DOSASens Redox electrode RHGB2F

Especially stable reference system with gel electrolyte and additional salt reserve for long service life.

Product description:

- High-grade redox combination electrode with ceramic diaphragm
- No ion loss from the electrolyte due to small contact surface
- Especially stable reference system with gel electrolyte and additional KCl reserve
- Platinum tip

Areas of application:

- Particularly suitable for swimming pool applications and for general water treatment applications.

Scope of supply:

- **DOSASens RHGB2F**, glass electrode with PG 13.5 thread, 0.8 m fixed cable and BNC plug with blue cap, wetting cup with holder

Ordering data:

Type:	Conductivity: μS/cm	Measuring range: mV	Pressure range: bar	Temperature range: °C	Item number:
RHGB2F	> 50	-2000 to + 2000	0–6	0–50	31220100

Additional technical data:

Type:	Conduction system:	Measuring element:	Shaft length: mm	Cable connection:	Connection: thread
RHGB2F	Ag/AgCl	Platinum tip	100	Fixed cable 0.8 m with BNC plug	PG 13.5

Subject to technical modifications and printing errors. Images may vary slightly from actual product.
09.08.2016

2.1.8. DOSASens Redox electrode MV-2

Standard redox measurement electrodes with platinum tip.

Product description:

- Standard electrode with ceramic diaphragm
- No ion loss from the electrolyte due to small contact surface
- Especially stable reference system with gel electrolyte and additional KCl reserve

Areas of application:

- Glass shaft (GK): Process and wastewater industry, water treatment industry.
- Polysulfone shaft (PK): Particularly suitable for swimming pool technology, relatively high service life.
- Suitable for sea water.

Scope of supply:

- DOSASens MV-2, electrode with ceramic diaphragm

Ordering data:

Type:	Conductivity: μS/cm	Measuring range: mV	Pressure range: bar	Temperature range: °C	Item number:
MVGK-2	> 50	-1500 to + 1500	0–6	0 to +80	3189010
MVPK-2					3189015

Additional technical data:

Type:	Conduction system:	Measuring element:	Shaft length: mm	Cable connection:	Connection: thread
MVGK-2	Ag/AgCl	Platinum	120	SN 6	PG 13.5
MVPK-2					

Subject to technical modifications and printing errors. Images may vary slightly from actual product.
22.11.2017

2.1.9.

DOSASens Electrode connection cable

Standard redox measurement electrodes with platinum tip.



Product description:

- Coaxial connection cable for pH and redox electrodes,
- Available in different lengths (0.5 m to 20 m)
- Cable diameter: 5 mm
- Cable connections: SN6/SN6, SN6/BNC, SN6/open (see image on the left)
- Tested by the manufacturer
- Protection: IP 65

Installation instructions:

- In order to avoid electric interference, use short electrode connection cables.
- Do not lay coaxial cables in parallel to power supply cables.
- Use pre-assembled coaxial cables where possible.

Scope of supply:

- **DOSASens Electrode connection cable**

Ordering data:

Type:	Length:	Item number:	Type:	Length:	Item number:	Type:	Length:	Item number:
SN6/SN6	0.3	3184040	SN6/BNC	0.3	3184080	SN6 / open	0.3	3184000
	0.5	3184041		0.5	3184081		0.5	3184001
	1.0	3184042		1.0	3184082		1.0	3184002
	2.0	3184043		2.0	3184083		2.0	3184003
	3.0	3184044		3.0	3184084		3.0	3184004
	5.0	3184045		5.0	3184085		5.0	3184005
	10.0	3184046		10.0	3184086		10.0	3184006
	15.0	3184047		15.0	3184087		15.0	3184007
	20.0	3184048		20.0	3184088		20.0	3184008
	25.0	3184049		25.0	3184089		25.0	3184009
30.0	3184050	30.0	3184090	30.0	3184010			
35.0	3184051	35.0	3184091	35.0	3184011			

Spare parts:

Type:	Item number:
SN6 plug	3151100
BNC plug	9013950
BNC protective cap	9013454
BNC T-piece	9013049
BNC terminal resistance	9013452

2.1.10.

DOSA*Sens* Buffer solutions

pH, conductivity and redox buffer solutions.



Product description:

- Buffer solutions of pH 4.0; pH 7; pH 9, and pH 10.0
- Accuracy of the buffer solutions: ±0.02 pH
- Service life: depends on how often they are used and to what extent chemicals are carried into the water
- **Note:** alkaline buffer solutions* absorb CO₂ while the container is open, close the container immediately after usage (*less stable when stored)
- Different drum sizes available

Product description of redox buffer solutions:

- 220 mV and 468 mV buffer solutions available
- Accuracy of the buffer solutions: ±5 mV
- Different drum sizes available

Scope of supply:

- **DOSA*Sens* pH or redox buffer solutions**
- **Note:** Use within 3 months after opening

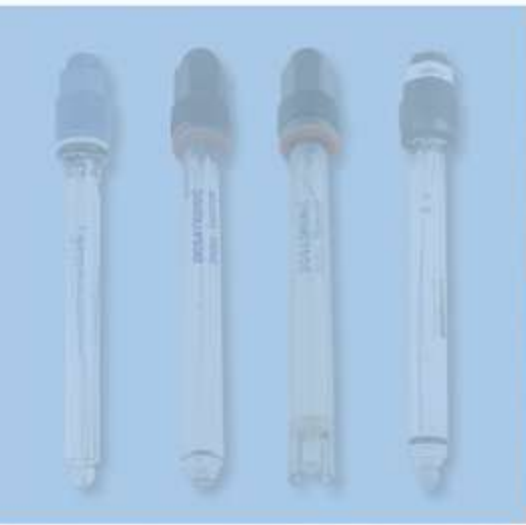
Ordering data:

pH:	Drum size:	Item number:	Drum size:	Item number:
pH	ml		ml	
4	50	3163001	250	3163003
7		3163010		3163012
9		3163020		3163022
10		3163030		3163032

Redox:	Drum size:	Item number:	Drum size:	Item number:
mV	ml		ml	
220	50	3163115	250	3163100
468		3163114		3163119

Conductivity:	Drum size:	Item number:
µS	ml	
84	50	9013361
1.413		9013360
12.880		9013362

Subject to technical modifications and printing errors. Images may vary slightly from actual product.
04.072016



2. Sensors

2.2. Conductivity / Turbidity / Oxygen / Temperature

2.2.1.

DOSASens Conductivity meter I-mA

Conductivity meter, inductive.



Product description:

- Pressure range: 0–8 bar/40 °C, 1 bar/70 °C
- Temperature range: -10 to 130 °C
- Integrated temperature sensor, (for automatic temperature compensation)
- Measuring range: 0.2–1,000 mS/cm
- With display
- 4–20 mA output for conductivity
- 4–20 mA output for temperature
- Power supply: 24 VDC (terminals inside the unit)
- Housing: PBT (polybutylene terephthalate)
- Shaft material: PEEK
- Process connection: PP union nut, 2 ¼", DN 40
- Protection category: IP 65

2

Areas of application:

- Water treatment:
 - Dilution control in cooling tower systems
 - Monitoring of ion exchange systems
 - Humidity and release agent monitoring
- Washing processes:
 - Car washes, laundries, pickling agent conditioning

Scope of supply:

- DOSASens I-mA, conductivity meter.

Specific advantages:

- This compact transducer is used for inductive conductivity measurement in liquids of medium to high conductivity. The instrument is particularly recommended for use in media in which heavy deposits from contaminants, oil and grease, or gypsum and lime precipitation are to be expected. The transducer is not sensitive to polarisation.

Ordering data:

Type: I-mA	Item number: 3051000
----------------------	--------------------------------

2.2.2. DOSASens Conductivity measuring cells E/E/HT

2-electrode systems, conductive.



Product description:

- 2-electrode system
- also with integrated temperature sensor
 - for automatic temperature compensation

Areas of application:

- Service water treatment, ultrapure water, wastewater treatment
- Food, pharmaceuticals industry, sewage treatment plants, etc.

Scope of supply:

- DOSASens E/E/HT, Electrode with cable connection, incl. 4.0 m connection cable (other lengths available on request), without a plug

Ordering data:

Type:	Temperature sensor:	Measuring range:	Cell constant:	Item number:
E/E/HT/001	Pt100	0–20 µS	0.01	3313017
E/E/HT/01		0–200 µS	0.1	3313019
E/E/HT/1		0–20 mS	1	3313018

Additional technical data:

Type:	Pressure and temperature: bar/°C	Pressure range: bar	Connection: inches	Shaft material:	Electrode:
E/E/HT/001	15 bar / 200 °C	0–15	¾" male	Stainless steel 316	Stainless steel 316
E/E/HT/01					
E/E/HT/1					

Subject to technical modifications and printing errors. Images may vary slightly from actual product.
08.01.2019

2.2.3.

DOSASens Conductivity measuring cells E/E

2-electrode systems, conductive.



Product description:

- 2-electrode system
- also with integrated temperature sensor
 - also with integrated temperature sensor

Areas of application:

- Service water treatment, ultrapure water, wastewater treatment
- Food, pharmaceuticals industry, sewage treatment plants, etc.

Scope of supply:

- DOSASens E/E, electrode with cable connection (standard electrical plug) incl. 4.0 m connection cable (other lengths available on request), without a plug

Ordering data:

Type:	Temperature sensor:	Measuring range: μS	Cell constant:	Item number:
E/E/20 μS/0.1/NTC	NTC 10 kΩ	0–20	0.01	3313037
E/E/200 μS/0.1/NTC		0–200	0.10	3313036
E/E/20 mS/1/NTC		0–20000	1.00	3313035
E/E/20 μS/0.1/Pt100	Pt100	0–20	0.01	3313042
E/E/200 μS/0.1/Pt100		0–200	0.10	3313041
E/E/20 mS/1/Pt100		0–20000	1.00	3313040

Additional technical data:

Type:	Pressure and temperature: bar / °C	Pressure range: bar	Connection: inches	Shaft material:	Electrode:
E/E/20 μS/0.1/NTC	15 bar/130 °C	0–15	¾" male	Stainless steel 316	ainless steel 316
E/E/200 μS/0.1/NTC					
E/E/20 mS/1/NTC					
E/E/20 μS/0.1/Pt100					
E/E/200 μS/0.1/Pt100					
E/E/20 mS/1/Pt100					

Subject to technical modifications and printing errors. Images may vary slightly from actual product.
17.03.2017

2.2.4. DOSASens Conductivity measuring cells E/PT

2-electrode systems, conductive.

Product description:

- 2-electrode system
- also with integrated temperature sensor
– for automatic temperature compensation

Areas of application:

- Service water treatment, ultrapure water, wastewater treatment
- Food industry, pharmaceuticals industry, sewage treatment plants, etc.

Scope of supply:

- DOSASens E/PT, electrode with cable connection, incl. 4.0 m connection cable, without a plug

Ordering data:

Type:	Temperature sensor:	Measuring range: μS/cm	Cell constant:	Item number:
E/PT/200μS/0,1/-	No	0–200	0.1	33227000
E/PT/2000μS/0,2/-		0–2000	0.2	33227005
E/PT/20000μS/1,0/-		0–20000	1.0	33227010
E/PT/200μS/0,1/NTC	NTC 10 kΩ	0–200	0.1	33227050
E/PT/2000μS/0,2/NTC		0–2000	0.2	33227055
E/PT/20000μS/1,0/NTC		0–20000	1.0	33227060
E/PT/200μS/0,1/Pt100	Pt100	0–200	0.1	33227100
E/PT/2000μS/0,2/Pt100		0–2000	0.2	33227105
E/PT/20000μS/1,0/Pt100		0–20000	1.0	33227110

Additional technical data:

Type:	Pressure and temperature: bar / °C	Pressure range: bar	Connection: inches	Shaft material:	Electrode:
E/PT/200μS/0,1/-	7 bar/60 °C	0–10	½	PTFE	Stainless steel 316
E/PT/2000μS/0,2/-					
E/PT/20000μS/1,0/-					
E/PT/200μS/0,1/NTC					
E/PT/2000μS/0,2/NTC					
E/PT/20000μS/1,0/NTC					
E/PT/200μS/0,1/Pt100					
E/PT/2000μS/0,2/Pt100					
E/PT/20000μS/1,0/Pt100					

Subject to technical modifications and printing errors. Images may vary slightly from actual product.
23.05.2017

2.2.5.

DOSASens Conductivity measuring cells E/P

2-electrode systems, conductive.



Product description:

- 2-electrode system
- also with integrated temperature sensor
– for automatic temperature compensation

Areas of application:

- Service water treatment, ultrapure water, wastewater treatment
- Food, pharmaceuticals industry, sewage treatment plants, etc.

Scope of supply:

- DOSASens E/P, electrode with cable connection (standard electrical plug), incl. 4.0 m connection cable (other lengths available on request), without a plug

Ordering data:

Type:	Temperature sensor:	Measuring range: μS/cm	Cell constant:	Item number:
E/P/200μS/0.1	No	0–200	0.1	3313011
E/P/500μS/0.2		0–500	0.2	3313014
E/P/5mS/1		0–5000	1.0	3313010
E/P/200μS/0.1/NTC	NTC 10 kΩ	0–200	0.1	3313013
E/P/500μS/0.2/NTC		0–500	0.2	3313016
E/P/5mS/1/NTC		0–5000	1.0	3313012
E/P/200μS/0.1/Pt100	Pt100	0–200	0.1	3313006
E/P/500μS/0.2/Pt100		0–500	0.2	3313002
E/P/5mS/1/Pt100		0–5000	1.0	3313005

Additional technical data:

Type:	Pressure and temperature: bar/°C	Pressure range: bar	Connection: inches	Shaft material:	Electrode:
E/P/200μS/0.1	7 bar/60 °C 2 bar/100 °C	0–7	¾" male (½" available on request)	PVDF	Stainless steel 316
E/P/500μS/0.2					
E/P/5mS/1					
E/P/200μS/0.1/NTC					
E/P/500μS/0.2/NTC					
E/P/5mS/1/NTC					
E/P/200μS/0.1/Pt100					
E/P/500μS/0.2/Pt100					
E/P/5mS/1/Pt100					

2.2.6.

DOSASens Conductivity measuring cells **E/P** immersion model

2-electrode systems, conductive.

Product description:

- 2-electrode system
- also with integrated temperature sensor
 - for automatic temperature compensation

Areas of application:

- Service water treatment, ultrapure water, wastewater treatment, food, pharmaceuticals, industry, sewage treatment plants, etc.

Scope of supply:

- **DOSASens E/P**, electrode immersion model with cable connection, incl. 4.0 m connection cable, (other lengths available on request)



Ordering data:

Type:	Temperature sensor:	Measuring range: μS/cm	Cell constant:	Item number:
E/P/200μS/0.1/immersion	No	0–200	0.1	3313092
E/P/5mS/1/immersion		0–5000	1.0	3313090
E/P/200μS/0.1/NTC/immersion	NTC 10 kΩ	0–200	0.1	3313094
E/P/5mS/1/NTC/immersion		0–5000	1.0	3313096
E/P/200μS/0.1/Pt100/immersion	Pt100	0–200	0.1	3313098
E/P/5mS/1/Pt100/immersion		0–5000	1.0	3313097

Additional technical data:

Type:	Pressure and temperature: bar/°C	Pressure range: bar	Connection: inches	Shaft material:	Electrode:
E/P/200μS/0.1/immersion	7 bar/60 °C 2 bar/100 °C	0–7	¾" male (½" available on request)	PVDF	Stainless steel 316
E/P/5mS/1/immersion					
E/P/200μS/0.1/NTC/immersion					
E/P/5mS/1/NTC/immersion					
E/P/200μS/0.1/Pt100/immersion					
E/P/5mS/1/Pt100/immersion					

Subject to technical modifications and printing errors. Images may vary slightly from actual product.
25.01.2017

2.2.7.

DOSASens Conductivity measuring cells G/P

2-electrode systems, conductive.



Product description:

- 2-electrode system
- also with integrated temperature sensor
– for automatic temperature compensation

Areas of application:

- Service water treatment, ultrapure water, wastewater treatment, food, pharmaceuticals industry, sewage treatment plants, etc.

Scope of supply:

- **DOSASens G/P**, electrode with cable connection (standard electrical plug), incl. 4.0 m connection cable (other lengths available on request), without a plug

Ordering data:

Type:	Temperature sensor:	Measuring range: mS/cm	Cell constant:	Item number:
G/P/20ms/1/	No	0–20	1	3313009
G/P/200ms/10/		0–200	10	3313027
G/P/20ms/1/NTC	NTC 10 kΩ	0–20	1	3313003
G/P/200ms/10/NTC		0–200	10	3313028
G/P/20ms/1/Pt100	Pt100	0–20	1	3313001
G/P/200ms/10/Pt100		0–200	10	3313029

Additional technical data:

Type:	Pressure and temperature: bar/°C	Pressure range: bar	Connection: inches	Shaft material:	Electrode:
G/P/20ms/1/	7 bar/60 °C 2 bar/100 °C	0–7	¾" male (½" available on request, only for cell constant 1	PVDF	Graphite
G/P/200ms/10/					
G/P/20ms/1/NTC					
G/P/200ms/10/NTC					
G/P/20ms/1/Pt100					
G/P/200ms/10/Pt100					

Subject to technical modifications and printing errors. Images may vary slightly from actual product.
25.01.2017

2.2.8. DOSASens Conductivity measuring cells G/P immersion model

2-electrode systems, conductive.

Product description:

- 2-electrode system
- also with integrated temperature sensor
 - for automatic temperature compensation

Areas of application:

- Service water treatment, ultrapure water, wastewater treatment, food, pharmaceuticals, industry, sewage treatment plants, etc.

Scope of supply:

- **DOSASens G/P**, electrode immersion model with cable connection, incl. 4.0 m connection cable (other lengths available on request), without a plug

Ordering data:

Type:	Temperature sensor:	Measuring range: mS/cm	Cell constant:	Item number:
G/P/20mS/1/immersion	No	0–20	1	3313080
G/P/200mS/10/immersion		0–200	10	3313085
G/P/20mS/1/NTC/immersion	NTC 10 kΩ	0–20	1	3313081
G/P/200mS/10/NTC/immersion		0–200	10	3313086
G/P/20mS/1/Pt100/immersion	Pt100	0–20	1	3313082
G/P/200mS/10/Pt100/immersion		0–200	10	3313087

Additional technical data:

Type:	Pressure and temperature: bar/°C	Pressure range: bar	Connection: inches	Shaft material:	Electrode:
G/P/20mS/1/immersion	7 bar/60 °C 2 bar/100 °C	0–7 bar	¾" male (½" available on request, only for cell constant 1)	PVDF	Graphite
G/P/200mS/10/immersion					
G/P/20mS/1/NTC/immersion					
G/P/200mS/10/NTC/immersion					
G/P/20mS/1/Pt100/immersion					
G/P/200mS/10/Pt100/immersion					

Subject to technical modifications and printing errors. Images may vary slightly from actual product.
17.02.2021

2.2.9.

DOSASens Conductivity Sensor C8325.5

These probes measure the electrical conductivity and TDS using the inductive method. Thanks to the analog and digital outputs, the probes can be connected to the most common PLC's or data acquisition boards.



Product description:

- Measure: electrical conductivity or TDS using the inductive method
- Ranges: The conductivity ranges are configurable from 4 mS to 2000 mS. The TDS scales are configurable from 10.00 ppt to 1000 ppt. It is also possible to associate a scalability factor from 10% to 100% to obtain intermediate full-scale values on the 4/20 mA current loop through digital commands
- Zero: ±10 % of the full scale
- Load: 600 Ohm max. a 24 VDC
- Temperature limit: -5 +60 °C
- Reference temperature: 20–25 °C
- Max. Pressure: 10 bar at 25 °C, 3 bar at 65 °C
- Operating relative humidity: 95 % without condensation
- Operating pressure: 10 bar at 25 °C, 3 bar at 65 °C
- Dimensions: L = 264 mm, D = 40 mm
- Process connection: DN 40
- Body: PVDF
- Weight: Body 267 g, cable 640 g
- Cable: 10 m (100 m max.)
- Protection: IP 68

Areas of application:

- Food and beverage, Paper and Pulp, Chemical Industry, Pharmaceutical Industry, Electropainting, Printing Industry, Textile Industry, Drinking water, Cooling Towers, Waste Water Treatment, Surface treatment.

Scope of supply:

- **DOSASens C8325.5**, Sensor incl. 10 mtr. connection cable, open end
- Specify the desired measuring range when ordering (e.g. 0–2.000 ms or 0–20.00 ppt ...). Only one parameter can be measured.

Ordering data:

Type:	Measuring range: mS	Total dissolved Solids measurement range: ppt	Output signal:	Power supply:	Item number:
C8325.5	0–2.000	0–2.000	4–20 mA isolated RS 485 - Modbus RTU	9–36 VDC	3210050
	0–4.000	0–10.00			
	0–20.00	0–20.00			
	0–40.00	0–100.0			
	0–200.0	0–200.0			
	0–400.0	0–1000			
	0–2000				

2.2.10.

DOSASens Turbidity cell TU 8325

Turbidity is measured by the nephelometric method (ISO 7027 - EN 27027). Infra-red light is used for turbidity measurement. The measurement of the sample is not affected by the colour of the medium.

Product description:

- Infra-red light source
- 90 degree scattered light detector
- Detector for determining the degree of contamination of the lens
- 2-wire 4–20 mA analogue output
- Measuring range: 0/4.000 | 0/40.00 | 0/400.0 NTU
- Sensitivity: 70/130 % (NTU)
- Zero: +0.400 NTU all measuring ranges
- Power supply: 9/36 V DC
- Analogue output (electrically isolated): 4–20 mA
- Load: 600 Ω max. at 24 VDC
- Digital output: RS 485
- Ambient temperature: -5/50 °C
- Max. pressure: 1 bar at 25 °C (TU 8325)
- Max. pressure: 6 bar at 25 °C (TU 8525)
- Automatic cleaning* with compressed air 3 bar max. (TU 8325, in case of highly contaminated media)
- Dimensions TU 8325: L = 165 mm total, D = 60 mm
- Dimensions TU 8525: L = 145 mm total, D = 40 mm
- Body: PVC
- Cable: 10 m (max 100 m)
- Protection class: IP 6

Areas of application:

- Quality monitoring, municipal and industrial water treatment, aquaculture

Scope of supply:

- **DOSASens TU 8325**, sensor, incl. 10 m connection cable, without a plug
- Please specify the desired measuring range when ordering (0/4.000 | 0/40.00 | 0/400.0)



Ordering data:

Model:	Measuring range: NTU	Resolution: NTU	Output signal:	Power supply:	Item No:
TU 8525	0/4.000 0/40.00 0/400.0	0.400	4–20 mA RS 485 - Modbus RTU	9–36 VDC	3210025
TU 8325 (with *cleaning option)	0/400.0				3210035

Accessories:

Model:	for sensor:	Item No:
Flow cell TU 910 (1)	TU 8325	9010021
Flow cell for the pipe T-piece (2)	TU 8325	9010022
Immersion cell	TU 8525	9010023

2.2.11.

DOSA*Sens* Oxygen measuring cells OD8325, OD8525

Measuring cells that measure the dissolved oxygen in water using the fluorescence principle. Due to the analogue and digital (4/20 mA, RS 485) outputs, the measuring cells can be connected to the most common PLCs or data acquisition cards.

Product description:

- Measurand: dissolved oxygen
- Secondary Parameters: pressure, salinity, redox
- Calibration:
 - at the controller, using reference solutions
- Automatic cleaning: through compressed air nozzle for external connection, at max. 3 bar (OD8325 only)
- Pressure range:
 - Operation at 25 °C: 6 bar (OD8525)
 - Operation at 25 °C: 1 bar (OD8325)
- Temperature range: 0 ... 60 °C
- Integrated automatic temperature compensation
- Response time: T_{90} 95 % < 60 seconds
- Salinity compensation (Chlorides): 0/600 x 100 ppm (100 ppm steps)
- Drift: < 1 % p.a.
- Flow rate: max. 1500 l/h
- Dimensions: 165 mm, Ø 60 mm (OD8325), 143 mm Ø 40 bzw. 43 mm (OD8525)
- Connection: two pole cable
- Material: PVC
- Protection class: IP 68

Areas of application:

- Drinking water, aquaculture, irrigation, food and beverage industry, paper industry, chemical and pharmaceutical industry, electroplating, surface treatment, printing industry, textile industry, wastewater technology

Scope of supply:

- DOSA*Sens* Oxygen measuring cell **OD8325** and/or **OD8525**, Connection cable (10 m), instruction manual



Ordering data:

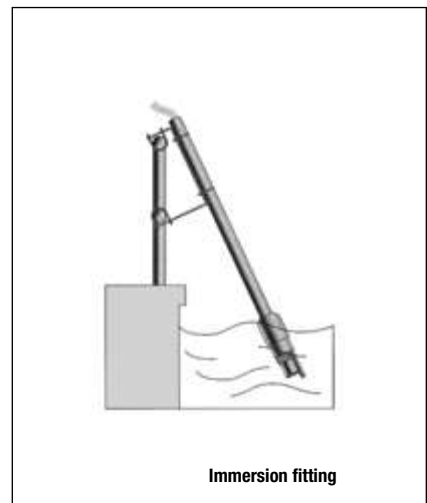
Type:	Measuring range: ppm	Resolution: ppm	Output signal:	Power supply:	Item number:
OD8325	0,01... 20,00	0,01	4 ... 20 mA, RS 485, Modbus RTU	9/36 VDC	3210040
OD8525					3210030

Additional technical data:

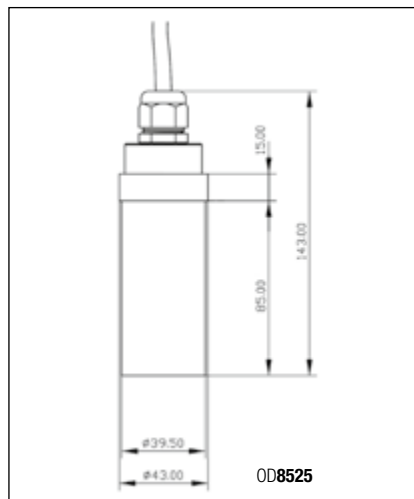
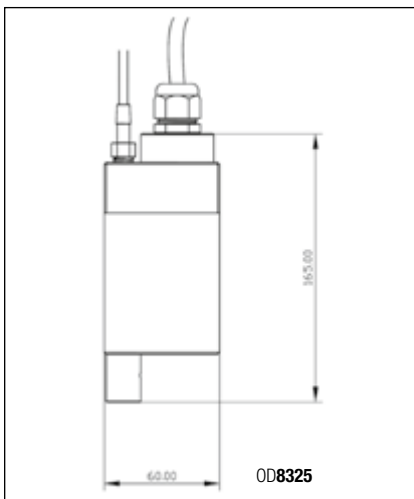
Type:	Reproducibility:	Measurement accuracy:	Scaling factor 4 ... 20 mA	analog output:
OD8325	± 0,5 %	± 1.0 % sat. < 10.0 % sat.	10/150 %	4 ... 20 mA loop, galvanically isolated
OD8525		± 2.0 % sat. > 10.0 % sat.		

2

Type:	for sensor:	Item number:
Flow-through fitting TU 910	TU 8325	9010021
Flow fitting for the pipe T-piece	TU 8325	9010022
Immersion fitting	TU 8525	9010023



Dimensions:



Subject to technical modifications and printing errors. Images may vary slightly from actual product.
07.07.2021

2.2.12.

DOSA*Sens* Temperature sensor CG 21 Pt 100

Temperature sensor, e.g. for automatic temperature compensation of the measurements. Particularly suitable for applications up to +100 °C.



Product description:

- Pressure range: 0–6 bar (at 80 °C)
- Temperature range: -10 to +100 °C
- Temperature sensor: Pt 100
- Quick response
- Sensor body: glass (steam sterilizable)
- Built-in version with PG 13.5 threaded connection for industrial fittings
- SN 6 – screw plug head

2

Areas of application:

- Highly fluctuating temperatures of up to 100 °C
- Food, beverages, pharmaceuticals

Scope of supply:

- **DOSA*Sens* CG 21 Pt 100**, Temperature Sensor

Ordering data:

Type:	Temperature sensor:	Steam sterilisation:	Shaft length: mm	Connection:	Cable connection:	Item number:
CG 21 Pt 100	Pt 100	Yes	120	PG 13.5	SN 6	3189150

2.2.13.

DOSA*Sens* Temperature sensor ETE

Temperature sensor, e.g. for automatic temperature compensation of the measurements. Especially designed for connection to our device series.

Product description:

- Pressure range: 0 – 10 bar (at 30 °C)
- Temperature range: 0 to +100 °C
- Sensing element: Pt 100, optionally NTC 10 kΩ, mV = 0.1 °C
- Quick response, even with fluctuating temperature
- PVDF sensor body
- ½" standard thread with 4 m fixed cable



Areas of application:

- Fluctuating temperature
- Need for quick response

Scope of supply:

- **DOSA*Sens* ETE**, Temperature Sensor (depending on measuring system, see below)

Ordering data:

Type:	Temperature sensor:	Item number:
ETE PTCH Pt100	Pt100	3313052

Options:

Type:	Temperature sensor:	Item number:
ETE PCH18 NTC	NTC 10 kΩ	3313051
ETE PCH18 NTC	mV = 0.1 °C	3313050

Subject to technical modifications and printing errors. Images may vary slightly from actual product.
08.01.2019

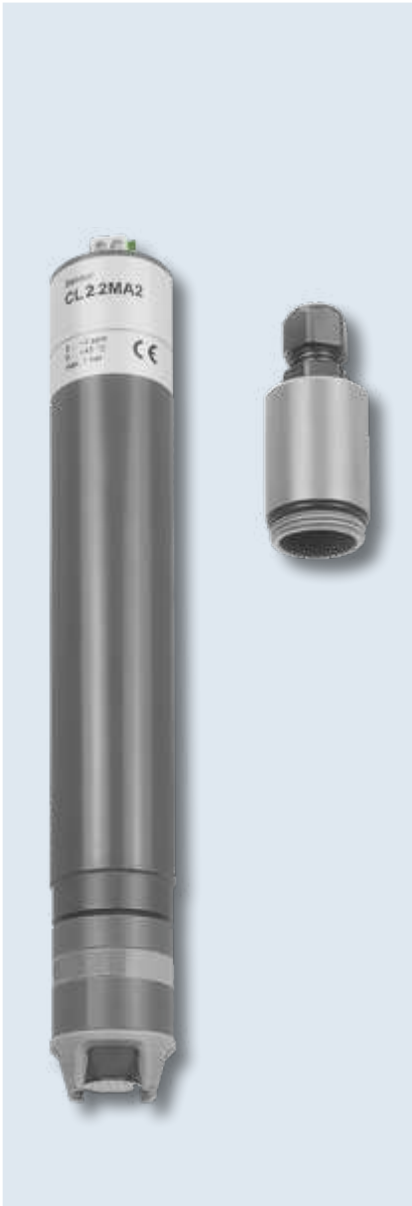


2. Sensors

2.3. Amperometric Sensors

2.3.1.

DOSA*Sens* Chlorine sensor CL2.2



Chlorine sensor with membrane-covered, amperometric 2-electrode system. For the measurement of free inorganic chlorine at constant pH.

Product description:

- Measurand(s): NaClO (sodium hypochlorite), Ca(ClO)₂ (calciumhypochlorite), Cl₂ (chlorine gas), chlorine generated by membrane electrolysis
- Calibration: at the controller, via analytical chlorine determination by DPD-1 method
- Interferences:
 - ClO₂ is being registered with factor 9 of its measured value
 - O₃ is registered
 - with membrane-less chlorine electrolysis interferences may occur
- Resolution: 0,001, 0,01 ppm (depends on type)
- pH range: 6– 8
- Pressure range:
 - Operation without circlip: 0 ... 0.5 bar, no pressure surges and/or vibrations
 - Operation with circlip: 0 ... 1.0 bar, no pressure surges and/or vibrations
- Temperature range: 0– 45 °C (no ice crystals in the measuring water)
- Integrated automatic temperature compensation (avoid temperature jumps!)
- Absence of the disinfectant: max. 24 h
- Response time: T₉₀ ca. 30 sec
- Flow rate: approx. 15–30 l/h, low flow-dependence
- Shaft length: standard 175 mm, and up to 220 mm in length (mA-Version)
- Connection: standard 4-pole plug; for mA-version 2-pole terminal
- Material: PVC-U and semipermeable membrane

2

Areas of application:

- Salt or Seawater from a concentration of > 3.5 to about 26% salinity, free of surfactants and with constant pH.

Scope of supply:

- DOSA*Sens* CL2.2 sensor, membrane cap, electrolyte, operating instructions

Ordering data:

Type:	Measuring range: ppm	Resolution: ppm	Output signal:	Power supply:	Item number:
CL2.2N-M12	0.05–20.00	0.01	0 to -2000 mV, 1 kΩ	±5 to ±15 VDC, 10 mA	3626000
CL2.2MA2	0.005–2.00	0.001	4–20 mA	12–30 VDC R _L = 50–900 Ω	3326032
CL2.2MA20	0.05–20.00	0.01			3326013
CL2.2MA2-M12	0.005–2.00	0.001			3326008
CL2.2MA20-M12	0.05–20.00	0.01			3326009

Additional technical data:

Type:	Slope:	Connection:	Special characteristics:
CL2.2N-M12	-100 mV/ppm	5-pole M12 male	-
CL2.2MA2	8.0 mA/ppm	2-pin terminal (2 x 1 mm ²)	Connection only to a controller with galvanically separated power supply.
CL2.2MA20	0.8 mA/ppm		
CL2.2MA2-M12	8.0 mA/ppm	5-pin M12 connector	
CL2.2MA20-M12	0.8 mA/ppm		

Spare parts:

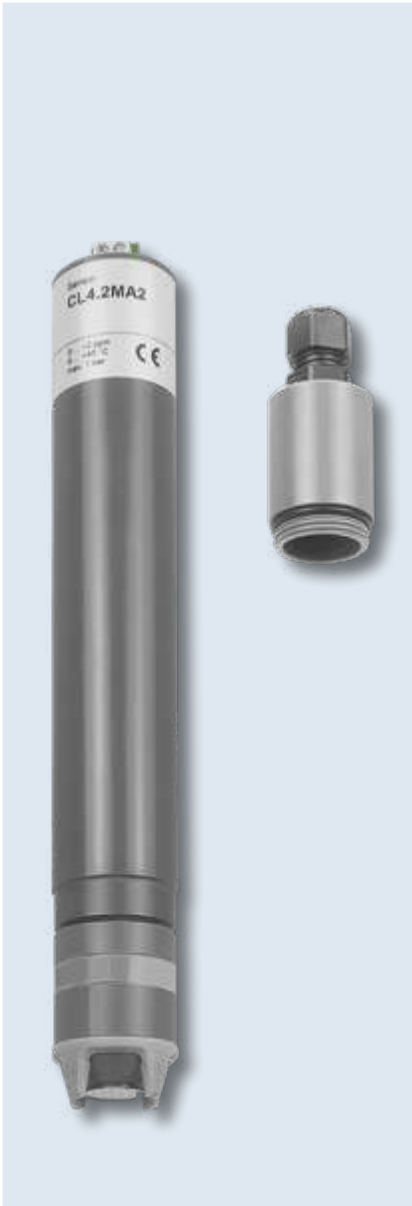
Spare parts:	for sensor type:	Item number:
Membrane cap M20.2	CL2.2 all types	9026001
Electrolyte ECL2.1	CL2.2 100 ml, all types	9026058

Accessories:

Type:	for sensor type:	Item number:
Sensor simulator pH, Redox, Cl	all sensors with mV signal	21131100
Sensor simulator SIM11.1n	0 mV, -100 mV, -1000mV	9026205
Sensor simulator 4 – 20 mA, current sensor	all sensors with mA signal	90249000
mV Simulator and mA Tester	all sensors with mV signal or mA signal	21131105
Photometer for calibration	chlorine, total chlorine, isocyanuric, pH	90231000

2.3.2.

DOSASens Chlorine sensor CL4.2



Chlorine sensor with membrane-covered, amperometric 2-electrode system. For the measurement of free inorganic chlorine at constant pH.

Product description:

- Measurand(s): NaClO (sodium hypochlorite), Ca(ClO)₂ (calciumhypochlorite), Cl₂ (chlorine gas), chlorine generated by membrane-electrolysis
- Calibration: at the controller, via analytical chlorine determination by DPD-1 method
- Interferences:
 - ClO₂ is being registered with factor 9 of its measured value
 - O₃ is registered
 - with membrane-less chlorine electrolysis interferences may occur
- pH range: 6–8
- Pressure range:
 - Operation without circlip: 0–0.5 bar, no pressure surges and/or vibrations
 - Operation with circlip: 0–1.0 bar, no pressure surges and/or vibrations
- Temperature range: 0–45 °C (no ice crystals in measurement water)
- Integrated automatic temperature compensation
- Response time: T₉₀ ca. 30 seconds
- Absence of the disinfectant: max. 24 h
- Flow rate: approx. 15–30 l/h, low flow-dependence
- Shaft length: standard 175 mm, and up to 220 mm in length (mA-Version)
- Connection: standard 4-pole plug; for mA-version 2-pole terminal, M12 male or Modbus RTU with M12 male
- Material: PVC-U and semipermeable membrane

Areas of application:

- Swimming pool, drinking, service and process water, free of surfactants and with constant pH.

Scope of supply:

- DOSASens CL4.2 sensor, membrane cap, electrolyte, operating manual

Ordering data:

Type:	Measuring range: ppm	Resolution: ppm	Output signal:	Power supply:	Item number:
CL4.2H-M12	0.005–2.00	0.001	0 to -2000 mV 1 kΩ	±5 to ±15 VDC 10 mA	3626010
CL4.2DW-M12	0.005–5.00	0.001			3626011
CL4.2N-M12	0.05–20.00	0.01			3626012
CL4.2L-M12	0.5–200.00	0.1		9 to 30 VDC approx. 20–56 mA	3626013
CL4.2H-An-M12	0.005–2.00	0.001			3626030
CL4.2N-An-M12	0.05–20.00	0.01			3626031
CL4.2L-An-M12	0.5–200.00	0.1		3626032	
CL4.2H-M0c	0.005–2.00	0.001	Modbus RTU		3326225
CL4.2N-M0c	0.05–20.00	0.01			3326226
CL4.2L-M0c	0.5–200.00	0.1			3326227

Ordering data:

Type:	Measuring range: ppm	Resolution: ppm	Output signal:	Power supply:	Item number:
CL4.2MA0,5	0.01 – 0.50	0.01	4–20 mA	12–30 VDC $R_L = 50–900 \Omega$	3326240
CL4.2MA2	0.01 – 2.00	0.01			3326241
CL4.2MA5	0.01 – 5.00	0.01			3326242
CL4.2MA10	0.01 – 10.00	0.01			3326243
CL4.2MA20	0.01 – 20.00	0.01			3326244
CL4.2MA-100	0.1 – 100	0.1			3326245
CL4.2MA-200	0.1 – 200	0.1		3326246	
CL4.2MA0,5-M12	0.01 – 0.50	0.01	4–20 mA	12–30 VDC $R_L = 50–900 \Omega$	3326250
CL4.2MA2-M12	0.01 – 2.00	0.01			3326251
CL4.2MA5-M12	0.01 – 5.00	0.01			3326252
CL4.2MA10-M12	0.01 – 10.00	0.01			3326253
CL4.2MA20-M12	0.01 – 20.00	0.01			3326254
CL4.2MA-100-M12	0.1 – 100	0.1			3326255
CL4.2MA-200-M12	0.1 – 200	0.1		3326256	

Additional technical data:

Type:	Slope:	Connection:	Special characteristics:
CL4.2H-M12	-1000 mV/ppm	5-pole M12 male	Connection only to a controller with galvanically separated power supply.
CL4.2DW-M12	-300 mV/ppm		
CL4.2N-M12	-100 mV/ppm		
CL4.2L-M12	-10 mV/ppm		
CL4.2H-An-M12	-1000 mV/ppm		
CL4.2N-An-M12	-100 mV/ppm		
CL4.2L-An-M12	-10 mV/ppm		
CL4.2H-M0c	Modbus RTU	M12 male	
CL4.2N-M0c			
CL4.2L-M0c			
CL4.2MA0,5	32,0 mA/ppm	2-pole terminal	Connection only to a controller with galvanically separated power supply.
CL4.2MA2	8,0 mA/ppm		
CL4.2MA5	3,20 mA/ppm		
CL4.2MA10	1,6 mA/ppm		
CL4.2MA20	0,8 mA/ppm		
CL4.2MA-100	0,16 mA/ppm		
CL4.2MA-200	0,08 mA/ppm	M12 male	
CL4.2MA0,5-M12	32,0 mA/ppm		
CL4.2MA2-M12	8,0 mA/ppm		
CL4.2MA5-M12	3,20 mA/ppm		
CL4.2MA10-M12	1,6 mA/ppm		
CL4.2MA20-M12	0,8 mA/ppm		
CL4.2MA-100-M12	0,16 mA/ppm		
CL4.2MA-200-M12	0,08 mA/ppm		

Spare parts:

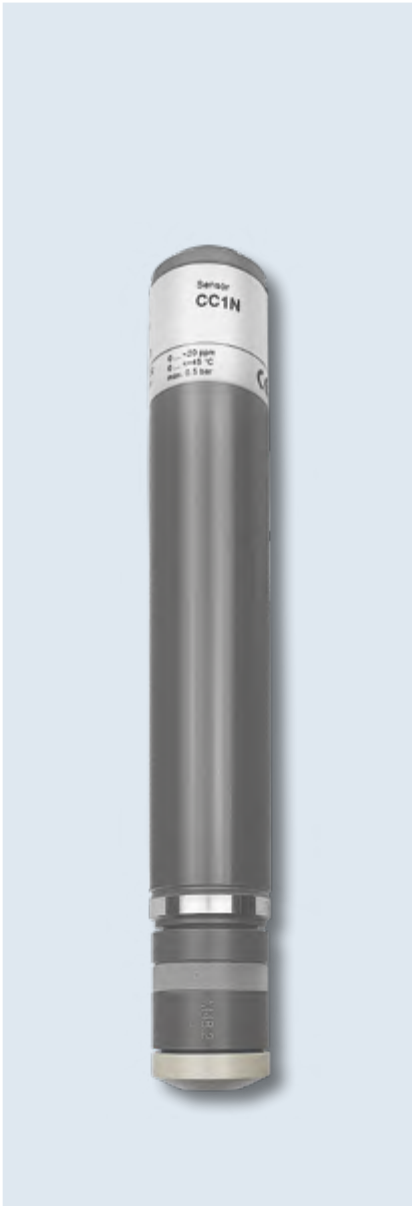
Spare parts:	for sensor type:	Item number:
Membrane cap M20.2	CL4.2 all types	9026001
Electrolyte ECL1	CL4.2 all types	9026050

Accessories:

Type:	for sensor type:	Item number:
Sensor simulator pH, Redox, Cl	all sensors with mV signal	21131100
Sensor simulator SIM11.1n	0 mV, -100 mV, -1000mV	9026205
Sensor simulator 4 – 20 mA, current sensor	all sensors with mA signal	90249000
mV Simulator and mA Tester	all sensors with mV signal or mA signal	21131105
Photometer for calibration	chlorine, total chlorine, isocyanuric, pH	90231000

2.3.3.

DOSASens Chlorine sensor CC1



Chlorine sensor with membrane-covered, amperometric 3-electrode system. For the measurement of free chlorine on the basis of iso-cyanuric acid, also in seawater, with reduced pH dependence.

Product description:

- Measurand(s): NaClO (sodium hypochlorite), Ca(ClO)₂ (calcium hypochlorite), Cl₂ (chlorine gas), electrolytically generated chlorine, and organic combined chlorine based on iso-cyanuric acid (tested up to an isocyanuric acid concentration of 500 mg/l)
- In the presence of isocyanuric acid, the sensor measures the total bound organic chlorine (within the isocyanuric acid) and the free chlorine already released from it
- Calibration: at the controller, via analytical chlorine determination by DPD 1 method, observe the isocyanuric acid concentration when determining the free chlorine
- Interferences:
 - ClO₂ is 100 % detected
 - O₃ is detected
- pH range: 4 – 12, greatly reduced pH dependence
- Pressure range:
 - Operation without circlip: 0 ... 0.5 bar (no pressure surges and/or vibrations)
 - Operation with circlip: 0 ... 1.0 bar (no pressure surges and/or vibrations)
- Temperature range: 0 – 45 °C, (no ice crystals in test water allowed)
- Integrated automatic temperature compensation
- Response time: T₉₀ approx. 2 min.
- Absence of the disinfectant: max. 24 h
- Flow rate: approx. 30 l/h, low flow dependence
- Shaft length: standard 175 mm, and up to 220 mm in length (mA-Version)
- Connection: standard 4-pole plug; for mA-version 2-pole terminal, M12 male or Modbus RTU with M12 male
- Material: PVC-U, PEEK, stainless steel 1.4571, microporous hydrophilic membrane

Areas of application:

- Swimming pool, drinking, sea water, surfactants are tolerated in part.

Scope of supply:

- DOSASens CC1 sensor, membrane cap, electrolyte for use in fresh water, instruction manual

Ordering data:

Type:	Measuring range: ppm	Resolution: ppm	Output signal:	Power supply:	Item number:
CC1H-M12	0.005–2.000	0.001	0 to -2000 mV	±5 to ±15 VDC	3626090
CC1N-M12	0.05–20.00	0.01	1 kΩ	10 mA	3626091
CC1H-An-M12	0.005–2.000	0.001	0 to -2000 mV	9–30 VDC	3626100
CC1N-An-M12	0.05–20.00	0.01	1 kΩ		3626101
CC1H-M0c	0.005–2.000	0.001	Modbus RTU	20–56 mA	3426610
CC1N-M0c	0.05–20.00	0.01			3426611
CC1MA2	0.01–2.00	0.01	4–20 mA	12–30 VDC R _L = 50 Ω to 900 Ω	3326094
CC1MA5	0.01–5.00	0.01			3326096
CC1MA10	0.01–10.00	0.01			3326095
CC1MA20	0.01–20.00	0.01			3326107
CC1MA2-M12	0.01–2.00	0.01			3426615
CC1MA5-M12	0.01–5.00	0.01			3426616
CC1MA10-M12	0.01–10.00	0.01			3426617
CC1MA20-M12	0.01–20.00	0.01			3426618

Additional technical data:

Type:	Slope:	Connection:	Special characteristics:
CC1H-M12	-1000 mV/ppm	5-pole M12 Male	Connection only to a controller with galvanically separated power supply.
CC1N-M12	-100 mV/ppm		
CC1H-An-M12	-1000 mV/ppm		
CC1N-An-M12	-100 mV/ppm		
CC1H-M0c	-1000 mV/ppm	M12 male	-
CC1N-M0c	-100 mV/ppm		
CC1MA2	8.0 mA/ppm	2-pole terminal	Connection only to a controller with galvanically separated power supply.
CC1MA5	3.2 mA/ppm		
CC1MA10	1.6 mA/ppm		
CC1MA20	0.8 mA/ppm		
CC1MA2-M12	8.0 mA/ppm	M12 male	
CC1MA5-M12	3.2 mA/ppm		
CC1MA10-M12	1.6 mA/ppm		
CC1MA20-M12	0.8 mA/ppm		

Spare parts:

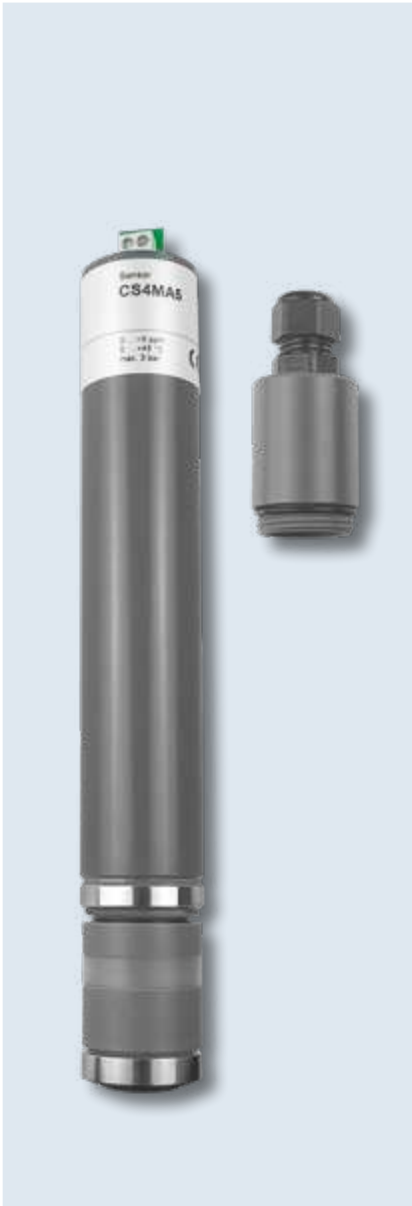
Spare parts:	for sensor type:	Item number:
Membrane cap M48.2	CC1 all types	9026020
Electrolyte ECC1.1	CC1 all types	9026075

Accessories:

Type:	for sensor type:	Item number:
Sensor simulator pH, Redox, Cl	all sensors with mV signal	21131100
Sensor simulator SIM11.1n	0 mV, -100 mV, -1000mV	9026205
Sensor simulator 4 – 20 mA, current sensor	all sensors with mA signal	90249000
mV Simulator and mA Tester	all sensors with mV signal or mA signal	21131105
Photometer for calibration	chlorine, total chlorine, isocyanuric, pH	90231000

2.3.4.

DOSASens Chlorine sensor CS4



Chlorine sensor with membrane-covered, amperometric 3-electrode system. For the measurement of free inorganic chlorine with reduced pH-dependence.

Product description:

- Measurand(s): NaClO (sodium hypochlorite), Ca(OCl)₂ (calcium hypochlorite), Cl₂ (chlorine gas), electrolytically generated chlorine
- Calibration: at the controller, via analytical chlorine determination by DPD-1 method
- Interferences:
 - 75 % of ClO₂-concentration,
 - 80 % of O₃-concentration
 - combined chlorine may increase the measuring value
- pH range: 4–9
- Pressure range:
 - Operation without circlip: 0–0.5 bar, no pressure surges and/or vibrations
 - Operation with circlip: 0–3.0 bar, no pressure surges and/or vibrations
- Temperature range: 0–45 °C
- Integrated automatic temperature compensation
- Response time: T₉₀ approx. 2 min.
- Absence of the disinfectant: max. 24 h
- Flow rate: approx. 15–30 l/h, low flow-dependence
- Shaft length: standard 175 mm, and up to 220 mm in length (mA-Version)
- Connection: standard 4-pole plug; for mA-version 2-pole terminal, M12 male or Modbus RTU with M12 male
- Material: PVC-U, PEEK, stainless steel 1.4571, microporous hydrophilic membrane

Areas of application:

- Swimming pool, drinking water, surfactants are partially tolerated.

Scope of supply:

- DOSASens CS4 sensor, membrane cap, electrolyte, operating manual

Ordering data:

Type:	Measuring range: ppm	Resolution: ppm	Output signal:	Power supply:	Item number:
CS4H-M12	0.005–2.00	0.001	0 to -2000 mV 1 kΩ	±5 to ±15 VDC 10 mA	3626040
CS4N-M12	0.05–20.00	0.01			3626041
CS4L-M12	0.50–200.0	0.1			3626042
CS4H-An-M12	0.005–2.00	0.001		9–30 VDC 20–56 mA	3626050
CS4N-An-M12	0.05–20.00	0.01			3626051
CS4L-An-M12	0.50–200.0	0.1			3626052
CS4H-M0c	0.005–2.00	0.001	ModBus RTU	3426360	
CS4N-M0c	0.05–20.00	0.01		3426361	
CS4L-M0c	0.50–200.0	0.1		3426362	

Ordering data:

Type:	Measuring range: ppm	Resolution: ppm	Output signal:	Power supply:	Item number:
CS4MA2	0.01 – 2.00	0.01	4 – 20 mA	12 – 30 VDC $R_L = 50 – 900 \Omega$	3426303
CS4MA5	0.01 – 5.00	0.01			3426304
CS4MA10	0.01 – 10.00	0.01			3426305
CS4MA20	0.01 – 20.00	0.01			3426306
CS4MA200	0.50 – 200.0	0.10			3426307
CS4MA2-M12	0.01 – 2.00	0.01			3426313
CS4MA5-M12	0.01 – 5.00	0.01			3426314
CS4MA10-M12	0.01 – 10.00	0.01			3426315
CS4MA20-M12	0.01 – 20.00	0.01			3426316
CS4MA200-M12	0.50 – 200.0	0.10			3426317

Additional technical data:

Type:	Slope:	Connection:	Special characteristics:
CS4H-M12	-1000 mV/ppm	5-pole M12 Male	Connection only to a controller with galvanically separated power supply.
CS4N-M12	-100 mV/ppm		
CS4L-M12	-10 mV/ppm		
CS4H-An-M12	-1000 mV/ppm		
CS4N-An-M12	-100 mV/ppm		
CS4L-An-M12	-10 mV/ppm		
CS4H-M1c	Modbus RTU	M12 male	Connection only to a controller with galvanically separated power supply.
CS4N-M1c			
CS4L-M1c			
CS4MA2	8.0 mA/ppm	2-pole terminal	
CS4MA5	3.2 mA/ppm		
CS4MA10	1.6 mA/ppm		
CS4MA20	0.8 mA/ppm		
CS4MA200	0.08 mA/ppm		
CS4MA2-M12	8.0 mA/ppm	M12 female	
CS4MA5-M12	3.2 mA/ppm		
CS4MA10-M12	1.6 mA/ppm		
CS4MA20-M12	0.8 mA/ppm		
CS4MA200-M12	0.08 mA/ppm		

Spare parts:

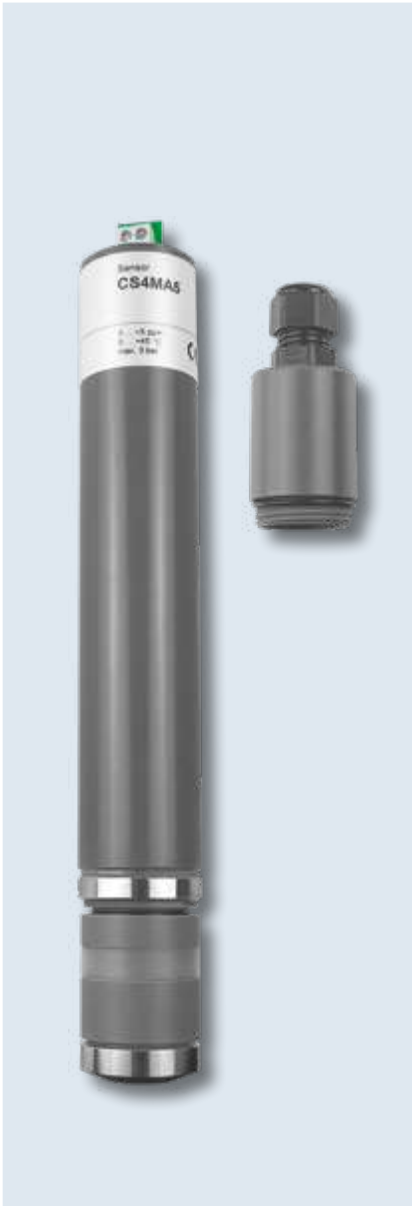
Spare parts:	for sensor type:	Item number:
Membrane cap M48.4E	CS4 all types	9026023
Electrolyte ECS2.1	CS4 all types	9026060

Accessories:

Type:	for sensor type:	Item number:
Sensor simulator pH, Redox, Cl	all sensors with mV signal	21131100
Sensor simulator SIM11.1n	0 mV, -100 mV, -1000mV	9026205
Sensor simulator 4 – 20 mA, current sensor	all sensors with mA signal	90249000
mV Simulator and mA Tester	all sensors with mV signal or mA signal	21131105
Photometer for calibration	chlorine, total chlorine, isocyanuric, pH	90231000

2.3.5.

DOSA*Sens* Chlorine sensor CS4-...-SW



Chlorine sensor with membrane-covered, amperometric 3-electrode system. For the measurement of free inorganic chlorine with reduced pH-dependence in sea water.

Product description:

- Measurand(s): NaClO (sodium hypochlorite), Ca(OCl)₂ (calcium hypochlorite), Cl₂ (chlorine gas), electrolytically generated chlorine
- Calibration: at the controller, via analytical chlorine determination by DPD-1 method
- Interferences:
 - 75 % of ClO₂-concentration
 - 80 % of O₃-concentration
 - combined chlorine may increase the measuring value
- pH range: 4–9
- Pressure range:
 - Operation without circlip: 0–0.5 bar, no pressure surges and/or vibrations
 - Operation with circlip: 0–3.0 bar, no pressure surges and/or vibrations
- Temperature range: 0–45 °C
- Integrated automatic temperature compensation
- Response time: T₉₀ approx. 2 min.
- Absence of the disinfectant: max. 24 h
- Flow rate: approx. 15–30 l/h, low flow-dependence
- Shaft length: standard 175 mm, and up to 220 mm in length (mA-Version)
- Connection: standard 4-pole plug; for mA-version 2-pole terminal, M12 male or Modbus RTU with M12 male
- Material: PVC-U, PEEK, stainless steel 1.4571, microporous hydrophilic membrane

2

Areas of application:

- Sea water at 10 µS/cm to 50 mS/cm, surfactants are partially tolerated.

Scope of supply:

- DOSA*Sens* CS4-...-SW sensor, membrane cap, electrolyte, operating manual

Ordering data:

Type:	Measuring range: ppm	Resolution: ppm	Output signal:	Power supply:	Item number:
CS4H-SW-M12	0.005–2.00	0.001	0 to -2000 mV 1 kΩ	±5 to ±15 VDC 10 mA	3626060
CS4N-SW-M12	0.05–20.00	0.01			3626061
CS4L-SW-M12	0.50–200.0	0.1			3626062
CS4H-An-SW-M12	0.005–2.00	0.001		9–30 VDC 20–56 mA	3626070
CS4N-An-SW-M12	0.05–20.00	0.01			3626071
CS4L-An-SW-M12	0.50–200.0	0.1			3626072
CS4H-M0c-SW	0.005–2.00	0.001	ModBus RTU		3426960
CS4N-M0c-SW	0.05–20.00	0.01			3426961
CS4L-M0c-SW	0.50–200.0	0.1			3426962

Ordering data:

Type:	Measuring range: ppm	Resolution: ppm	Output signal:	Power supply:	Item number:
CS4MA2-SW	0.01 – 2.00	0.01	4–20 mA	12 – 30 V DC $R_L = 50 – 900 \Omega$	3426903
CS4MA5-SW	0.01 – 5.00	0.01			3426904
CS4MA10-SW	0.01 – 10.00	0.01			3426905
CS4MA20-SW	0.01 – 20.00	0.01			3426906
CS4MA200-SW	0.50 – 200.0	0.10			3426907
CS4MA2-M12-SW	0.01 – 2.00	0.01			3426913
CS4MA5-M12-SW	0.01 – 5.00	0.01			3426914
CS4MA10-M12-SW	0.01 – 10.00	0.01			3426915
CS4MA20-M12-SW	0.01 – 20.00	0.01			3426916
CS4MA200-M12-SW	0.50 – 200.0	0.10			3426917

Additional technical data:

Type:	Slope:	Connection:	Special characteristics:
CS4H-SW-M12	-1000 mV/ppm	5-pole M12 Male	Connection only to a controller with galvanically separated power supply.
CS4N-SW-M12	-100 mV/ppm		
CS4L-SW-M12	-10 mV/ppm		
CS4H-An-SW-M12	-1000 mV/ppm		
CS4N-An-SW-M12	-100 mV/ppm		
CS4L-An-SW-M12	-10 mV/ppm		
CS4H-M1c-SW	Modbus RTU	M12 male	Connection only to a controller with galvanically separated power supply.
CS4N-M1c-SW			
CS4L-M1c-SW			
CS4MA2-SW	8.0 mA/ppm	2-pole terminal	
CS4MA5-SW	3.2 mA/ppm		
CS4MA10-SW	1.6 mA/ppm		
CS4MA20-SW	0.8 mA/ppm		
CS4MA200-SW	0.08 mA/ppm		
CS4MA2-M12-SW	8.0 mA/ppm	M12 male	
CS4MA5-M12-SW	3.2 mA/ppm		
CS4MA10-M12-SW	1.6 mA/ppm		
CS4MA20-M12-SW	0.8 mA/ppm		
CS4MA200-M12-SW	0.08 mA/ppm		

Spare parts:

Spare parts:	For sensor type:	Item number:
Membrane cap M48.4S	CS4 all types, for use in sea water	9026026
Electrolyte ECS2.1	CS4 all types	9026060

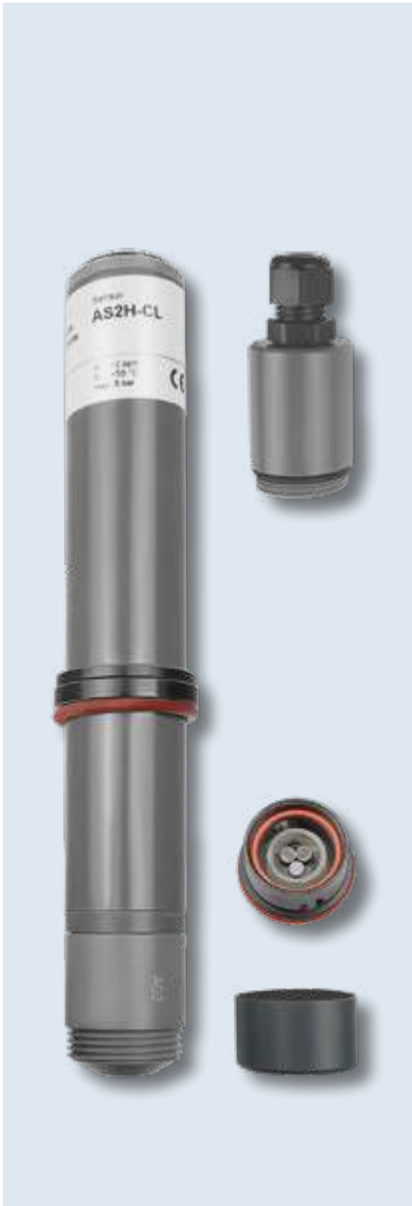
Accessories:

Type:	For sensor type:	Item number:
Sensor simulator pH, Redox, Cl	all sensors with mV signal	21131100
Sensor simulator SIM11.1n	0 mV, -100 mV, -1000mV	9026205
Sensor simulator 4 – 20 mA, current sensor	all sensors with mA signal	90249000
mV Simulator and mA Tester	all sensors with mV signal or mA signal	21131105
Photometer for calibration	chlorine, total chlorine, isocyanuric, pH	90231000

2.3.6.

DOSA*Sens* Chlorine sensor AS2, AS3

Sensor for the measurement of free, inorganic chlorine with open measuring cell. Optional with cleaning device. Amperometric, 3-electrode system with potentiostatic circuit



Product description:

- Measurand(s): free chlorine made of chlorine bleaching or chlorine gas and electrolytically generated chlorine
- Calibration: at the controller, via analytical determination by DPD-1 method
- Interferences: ozone, chlorine dioxide, chlorite are also registered
- pH range: 5–9
- Pressure range:
 - Operation without circlip: 0 ... 0.5 bar
 - Operation with circlip: 0 ... 8.0 bar
- Temperature range: 0– 50 °C (AS2), 0 – 70 °C (AS3)
- Integrated automatic temperature compensation
- Response time: T₉₀ approx. 30 s
- Absence of the disinfectant: max. 24 h
- Flow rate: approx. 15 l/h (with RV1 increased to approx. 45 – 90 l/h)
- With the cleaning device (RV1) there is a restriction of the measuring range to 0,7 or 7 ppm
- Shaft length: standard 175 mm, and up to 220 mm in length (mA-Version)
- Connection: standard 4-pole plug; for mA-version 2-pole terminal, M12 male or Modbus RTU with M12 male
- Material: PVC-U (AS2), PEEK (AS3)

2

Areas of application:

- Fresh water, especially drinking water, up to max. 70 °C.

Scope of supply:

- DOSA*Sens* AS2, AS3 sensor, electrolyte hull, electrolyte, operating manual

Ordering data:

Type:	Measuring range: ppm	Resolution: ppm	Output signal:	Power supply:	Item number:
AS2H-CL-M12	0.005–2.00	0.001	0 to -2000 mV 1 kΩ	±5 to ± 15 VDC 10 mA	3626400
AS2N-CL-M12	0.03–20.00	0.01			3626401
AS2H-CL-An-M12	0.005–2.00	0.001	Modbus RTU	9–30 VDC 20–56 mA	3626402
AS2N-CL-An-M12	0.03–20.00	0.01			3626403
AS2H-CL-M0c	0.005–2.00	0.001	Modbus RTU		3426770
AS2N-CL-M0c	0.03–20.00	0.01			3426771

Ordering data:

Type: (up to 50°C)	Measuring range: ppm	Resolution: ppm	Output signal:	Power supply:	Item number:
AS2MA1-CL	0.03– 1.00	0.01	4–20 mA	12–30 VDC $R_L = 50–900 \Omega$	3326111
AS2MA2-CL	0.03– 2.00	0.01			3326113
AS2MA5-CL	0.03– 5.00	0.01			3326112
AS2MA10-CL	0.03–10.00	0.01			3326115
AS2MA20-CL	0.03–20.00	0.01			3326116
AS2MA1-CL-M12	0.03– 1.00	0.01			3426790
AS2MA2-CL-M12	0.03– 2.00	0.01			3426791
AS2MA5-CL-M12	0.03– 5.00	0.01			3426792
AS2MA10-CL-M12	0.03–10.00	0.01			3426793
AS2MA20-CL-M12	0.03–20.00	0.01			3426794
Type: (up to 70°C)	Measuring range: ppm	Resolution: ppm	Output signal:	Power supply:	Item number:
AS3H-CL-M12	0.005–2.00	0.001	0 to -2000 mV 1 k Ω	± 5 to ± 15 V DC 10 mA	3626410
AS3N-CL-M12	0.03–20.00	0.01		3626411	
AS3H-CL-An-M12	0.005–2.00	0.001	Modbus RTU	9 to ± 30 V DC 20–56 mA	3626412
AS3N-CL-An-M12	0.03–20.00	0.01			3626413
AS3H-CL-M0c	0.005–2.00	0.001	Modbus RTU	9 to ± 30 V DC 20–56 mA	3426720
AS3N-CL-M0c	0.03–20.00	0.01			3426721
AS3MA1-CL	0.03– 1.00	0.01	4–20 mA	12–30 VDC $R_L = 50–900 \Omega$	3326121
AS3MA2-CL	0.03– 2.00	0.01			3326123
AS3MA5-CL	0.03– 5.00	0.01			3326122
AS3MA10-CL	0.03–10.00	0.01			3326125
AS3MA20-CL	0.03–20.00	0.01			3326127
AS3MA1-CL-M12	0.03– 1.00	0.01			3426740
AS3MA2-CL-M12	0.03– 2.00	0.01			3426741
AS3MA5-CL-M12	0.03– 5.00	0.01			3426742
AS3MA10-CL-M12	0.03–10.00	0.01			3426743
AS3MA20-CL-M12	0.03–20.00	0.01			3426744

Additional technical data:

Type: (up to 50°C)	Slope:	Connection:	Special characteristics:
AS2H-CL-M12	-1000 mV/ppm	5-pole M12 Male	Connection only to a controller with galvanically separated power supply.
AS2N-CL-M12	-100 mV/ppm		
AS2H-CL-An-M12	-1000 mV/ppm		
AS2N-CL-An-M12	-100 mV/ppm		
AS2H-CL-M0c	Modbus RTU	M12 male	-
AS2N-CL-M0c		M12 male	-
AS2MA1-CL	16 mA/ppm	2 pole terminal	Connection only to a controller with galvanically separated power supply.
AS2MA2-CL	8.0 mA/ppm		
AS2MA5-CL	3.2 mA/ppm		
AS2MA10-CL	1.6 mA/ppm		
AS2MA20-CL	0.8 mA/ppm		
AS2MA1-CL-M12	16 mA/ppm	M12 Male	
AS2MA2-CL-M12	8.0 mA/ppm		
AS2MA5-CL-M12	3.2 mA/ppm		
AS2MA10-CL-M12	1.6 mA/ppm		
AS2MA20-CL-M12	0.8 mA/ppm		

Additional technical data:

Type:	Slope:	Connection:	Special characteristics:
(up to 70°C)			
AS3H-CL-M12	-1000 mV/ppm	5-pole M12	Connection only to a controller with galvanically separated power supply.
AS3N-CL-M12	-100 mV/ppm		
AS3H-CL-An-M12	-1000 mV/ppm		
AS3N-CL-An-M12	-100 mV/ppm		
AS3H-CL-M0c	Modbus RTU	M12 male	-
AS3N-CL-M0c			
AS3MA1-CL	16 mA/ppm	2-pole terminal	Connection only to a controller with galvanically separated power supply.
AS3MA2-CL	8.0 mA/ppm		
AS3MA5-CL	3.2 mA/ppm		
AS3MA10-CL	1.6 mA/ppm		
AS3MA20-CL	0.8 mA/ppm		
AS3MA1-CL-M12	16 mA/ppm	M12 male	
AS3MA2-CL-M12	8.0 mA/ppm		
AS3MA5-CL-M12	3.2 mA/ppm		
AS3MA10-CL-M12	1.6 mA/ppm		
AS3MA20-CL-M12	0.8 mA/ppm		

Spare parts:

Spare parts:	for sensor type:	Item number:
Abrasive paper S3	AS all types	9026103
Electrolyte hull PVC	AS2 all types	9026154
Electrolyte hull PEEK	AS3 all types	9026220
Electrolyte EAS1/Gel	AS all types	9026066

Accessories:

Type:	for sensor type:	Item number:
Cleaning device RV1	AS (all types), *with RV1 there is a restriction of the measuring range to 0,7 or 7 ppm	9026180
Sensor simulator pH, Redox, Cl	all sensors with mV signal	21131100
Sensor simulator SIM11.1n	0 mV, -100 mV, -1000mV	9026205
Sensor simulator 4 – 20 mA, current sensor	all sensors with mA signal	90249000
mV Simulator and mA Tester	all sensors with mV signal or mA signal	21131105
Photometer for calibration	chlorine, total chlorine, isocyanuric, pH	90231000

2.3.7.

DOSASens Chlorine sensor CP4.0



Chlorine sensor with membrane-covered, amperometric 3-electrode system. For the measurement of total chlorine with greatly reduced pH-dependence.

Product description:

- Measurand(s): NaClO (sodium hypochlorite), Ca(ClO)₂ (calcium hypochlorite), Cl₂ (chlorine gas), electrolytically generated chlorine
- Calibration: at the controller, via analytical chlorine determination by DPD-4 method (DPD-1 + DPD-3)
- Interferences:
 - ClO₂ is registered with 100 %,
 - O₃ is measured with a slope of approx. 130% (factor 1.3 with regard to the chlorine slope)
- Resolution: depending on the sensor type 0.1 – 0.001 ppm
- pH range: 4 – 12 (linear decrease with approx. 5 % per increasing pH-unit)
- Pressure range:
 - Operation without circlip: 0 – 0.5 bar, no pressure surges and/or vibrations
 - Operation with circlip: 0 – 3.0 bar, no pressure surges and/or vibrations
- Temperature range: 0 – 45 °C (no ice crystals are allowed in the water)
- Sensor with automatic temperature compensation
- Response time: T₉₀ approx. 3 min.
- Absence of the disinfectant: max. 24 h
- Flow rate: approx. 15 – 30 l/h, low flow-dependence
- Shaft length: standard 175 mm, and up to 220 mm in length (mA-Version)
- Connection: standard 4-pole plug; for mA-version 2-pole terminal, M12 male, or Modbus RTU with M12 male
- Material: microporous hydrophilic membrane, PVC-U, Peek, stainless steel 1.4571

2

Areas of application:

- Swimming pool, drinking water, surfactants are partially tolerated.

Scope of supply:

- DOSASens CP4 sensor, membrane cap, electrolyte, operating manual

Bestellung:

Type:	Measuring range: ppm	Resolution: ppm	Output signal:	Power supply:	Item number:
CP4.0H-M12	0,005 ... 2,00	0,001	0 ... -2000 mV/ 1 kΩ	±5 ... ±15 VDC 10 mA	3626110
CP4.0N-M12	0,05 ... 20,00	0,01			3626111
CP4.0H-An-M12	0,005 ... 2,00	0,001		Modbus RTU	9 ... 30 VDC ca. 20 ... 56 mA
CP4.0N-An-M12	0,05 ... 20,00	0,01	3626121		
CP4.0H-M0c	0,005 ... 2,00	0,001	3226340		
CP4.0N-M0c	0,05 ... 20,00	0,01	3226341		

Ordering data:

Typ:	Measuring range: ppm	Resolution: ppm	Output signal:	Power supply:	Item number:
CP4.0MA0,5	0,05 ... 0,50	0,01	4 ... 20 mA	12 ... 30 VDC R _L = 50 ... 900 Ω	3226310
CP4.0MA2	0,01 ... 2,00	0,01			3226311
CP4.0MA5	0,01 ... 5,00	0,01			3226312
CP4.0MA10	0,01 ... 10,00	0,01			3226313
CP4.0MA20	0,01 ... 20,00	0,01			3226314
CP4.0MA0,5-M12	0,05 ... 0,50	0,01			3226320
CP4.0MA2-M12	0,01 ... 2,00	0,01			3226321
CP4.0MA5-M12	0,01 ... 5,00	0,01			3226322
CP4.0MA10-M12	0,01 ... 10,00	0,01			3226323
CP4.0MA20-M12	0,01 ... 20,00	0,01			3226324

Additional technical data:

Typ:	Slope:	Connection:	Special characteristics:		
CP4.0H-M12	-1000 mV/ppm	5-pole M12 male	Connection only to a controller with galvanically separated power supply.		
CP4.0N-M12	-100 mV/ppm				
CP4.0H-An-M12	-1000 mV/ppm				
CP4.0N-An-M12	-100 mV/ppm				
CP4.0H-M0c	Modbus RTU	2-pole terminal	Connection only to a controller with galvanically separated power supply.		
CP4.0N-M0c					
CP4.0MA0,5	32,0 mA/ppm				
CP4.0MA2	8,0 mA/ppm				
CP4.0MA5	3,2 mA/ppm				
CP4.0MA10	1,6 mA/ppm				
CP4.0MA20	0,8 mA/ppm				
CP4.0MA0,5-M12	32,0 mA/ppm			5-pole M12 male	
CP4.0MA2-M12	8,0 mA/ppm				
CP4.0MA5-M12	3,2 mA/ppm				
CP4.0MA10-M12	1,6 mA/ppm				
CP4.0MA20-M12	0,8 mA/ppm				

Spare parts:

Spare parts:	for sensor type:	Item number:
Membrane cap M48.4E	CP4.0 all types	9026023
Electrolyte ECP1.4/GEL	CP4.0 all types	9026074

Accessories:

Type:	for sensor type:	Item number:
Sensor simulator pH, Redox, Cl	all sensors with mV signal	21131100
Sensor simulator SIM11.1n	0 mV, -100 mV, -1000mV	9026205
Sensor simulator 4 – 20 mA, current sensor	all sensors with mA signal	90249000
mV Simulator and mA Tester	all sensors with mV signal or mA signal	21131105
Photometer for calibration	chlorine, total chlorine, isocyanuric, pH	90231000

2.3.8.

DOSA*Sens* Chlorine sensor CP4.0-...-SW



Chlorine sensor with membrane-covered, amperometric 3-electrode system. For the measurement of total chlorine with greatly reduced pH-dependence. Suitable for Seawater.

Product description:

- Measurand(s): NaClO (sodium hypochlorite), Ca(ClO)₂ (calcium hypochlorite), Cl₂ (chlorine gas), electrolytically generated chlorine
- Calibration: at the controller, via analytical chlorine determination by DPD-4 method (DPD-1 + DPD-3)
- Interferences:
 - ClO₂ is registered with 100 %,
 - O₃ is measured with a slope of approx. 130% (factor 1.3 with regard to the chlorine slope)
- Resolution: depending on the sensor type 0.1 – 0.001 ppm
- pH range: 4–12 (linear decrease with approx. 5 % per increasing pH-unit)
- Pressure range:
 - Operation without circlip: 0–0.5 bar, no pressure surges and/or vibrations
 - Operation with circlip: 0–3.0 bar, no pressure surges and/or vibrations
- Temperature range: 0–45 °C (no ice crystals are allowed in the water)
- Sensor with automatic temperature compensation
- Response time: T₉₀ approx. 5 min.
- Absence of the disinfectant: max. 24 h
- Flow rate: approx. 15–30 l/h, low flow-dependence
- Shaft length: standard 175 mm, and up to 220 mm in length (mA-Version)
- Connection: standard 4-pole plug; for mA-version 2-pole terminal, M12 male, or Modbus RTU with M12 male
- Material: microporous hydrophilic membrane, PVC-U, Peek, stainless steel

2

Areas of application:

- Seawater, brine (15 % NaCl) surfactants are partially tolerated.

Scope of supply:

- DOSA*Sens* CP4-...-SW sensor, membrane cap, electrolyte, operating manual

Ordering data:

Type:	Measuring range: ppm	Resolution: ppm	Output signal:	Power supply:	Item number:
CP4.0H-SW-M12	0,005 ... 2,00	0,001	0 ... -2000 mV/ 1 kΩ	±5 ... ±15 VDC 10 mA	3626130
CP4.0N-SW-M12	0,05 ... 20,00	0,01			3626131
CP4.0H-An-SW-M12	0,005 ... 2,00	0,001	Modbus RTU	12 ... 30 VDC R _L = 50 ... 900 Ω	3626140
CP4.0N-An-SW-M12	0,05 ... 20,00	0,01			3626141
CP4.0H-SW-M0c	0,005 ... 2,00	0,001	3226390		
CP4.0N-SW-M0c	0,05 ... 20,00	0,01	3226391		

Ordering data:

Type:	Measuring range: ppm	Resolution: ppm	Output signal:	Power supply:	Item number:
CP4.0MA0,5-SW	0,05 ... 0,50	0,01	4 ... 20 mA	12 ... 30 VDC R _i = 50 ... 900 Ω	3226360
CP4.0MA2-SW	0,01 ... 2,00	0,01			3226361
CP4.0MA5-SW	0,01 ... 5,00	0,01			3226362
CP4.0MA10-SW	0,01 ... 10,00	0,01			3226363
CP4.0MA20-SW	0,01 ... 20,00	0,01			3226364
CP4.0MA0,5-SW-M12	0,05 ... 0,50	0,01			3226370
CP4.0MA2-SW-M12	0,01 ... 2,00	0,01			3226371
CP4.0MA5-SW-M12	0,01 ... 5,00	0,01			3226372
CP4.0MA10-SW-M12	0,01 ... 10,00	0,01			3226373
CP4.0MA20-SW-M12	0,01 ... 20,00	0,01			3226374

Additional technical data:

Type:	Slope:	Conductivity: μS/cm (brine)	Connection:	Special characteristics:
CP4.0H-SW-M12	-1000 mV/ppm	ca. 10 ... 200	5-pole M12 male	Connection only to a controller with galvanically separated power supply.
CP4.0N-SW-M12	-100 mV/ppm			
CP4.0H-An-SW-M12	-1000 mV/ppm			
CP4.0N-An-SW-M12	-100 mV/ppm			
CP4.0H-SW-M0c	Modbus RTU			
CP4.0N-SW-M0c				
CP4.0MA0,5-SW	32,0 mA/ppm		2-pole terminal	Connection only to a controller with galvanically separated power supply.
CP4.0MA2-SW	8,0 mA/ppm			
CP4.0MA5-SW	3,2 mA/ppm			
CP4.0MA10-SW	1,6 mA/ppm			
CP4.0MA20-SW	0,8 mA/ppm			
CP4.0MA0,5-SW-M12	32,0 mA/ppm		5-pole M12 male	
CP4.0MA2-SW-M12	8,0 mA/ppm			
CP4.0MA5-SW-M12	3,2 mA/ppm			
CP4.0MA10-SW-M12	1,6 mA/ppm			
CP4.0MA20-SW-M12	0,8 mA/ppm			

Spare parts:

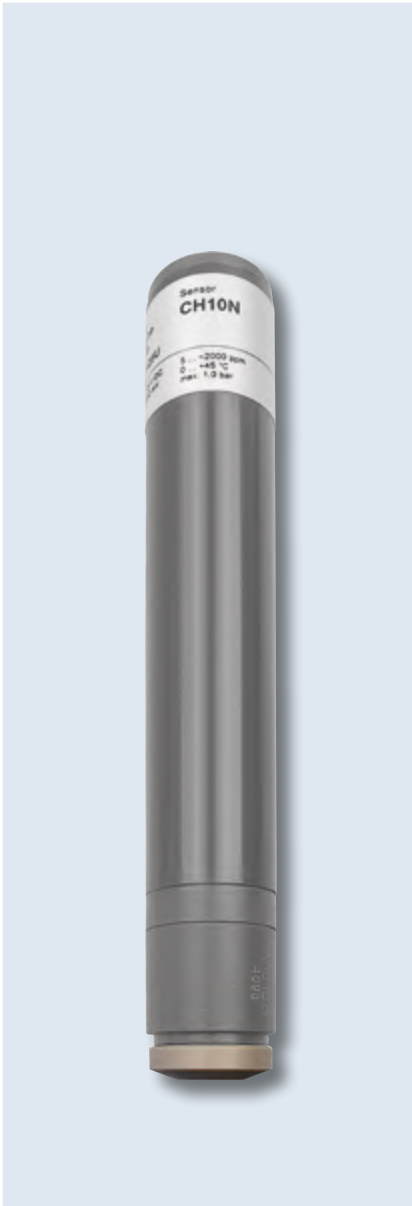
Spare parts:	for sensor type:	Item number:
Membrane cap M48.4S	CP4.0-SW all types/brine	9026026
Electrolyte ECP1.4/GEL for brine	CP4.0 all types/brine	9026074

Accessories:

Type:	for sensor type:	Item number:
Sensor simulator pH, Redox, Cl	all sensors with mV signal	21131100
Sensor simulator SIM11.1n	0 mV, -100 mV, -1000mV	9026205
Sensor simulator 4 – 20 mA, current sensor	all sensors with mA signal	90249000
mV Simulator and mA Tester	all sensors with mV signal or mA signal	21131105
Photometer for calibration	chlorine, total chlorine, isocyanuric, pH	90231000

2.3.9.

DOSA*Sens* Chlorine sensor CH10



Sensor for the *measurement of high chlorine concentrations* up to 2000 ppm. Chlorine sensor with membrane-covered, amperometric 2-electrode system. The sensor is pH-dependent. The membrane system is mechanically robust. The membrane system is largely surfactant-resistant.

Product description:

- Measurand(s): free chlorine, pH-dependent
- Calibration:
 - at the controller, via analytical chlorine determination by DPD-1 method (up to 10 ppm)
 - Iodometrie (up to 200 ppm with photometer)
 - Iodometrie (up to 2000 ppm Titration)
- Interferences: ClO₂, O₃, peracetic acid
- pH range: 5–8
- Pressure range:
 - Operation without circlip: 0 ... 0.5 bar, no pressure surges and/or vibrations
 - Operation with circlip: 0 ... 1.0 bar, no pressure surges and/or vibrations
- Temperature range: 0–45 °C (not any ice crystal in water)
- Integrated automatic temperature compensation
 - Response time: T₉₀ approx. 8 min.
 - avoid temperature jumps, max. temperature change 5°/h
- Absence of the disinfectant: max. 24 h
- Flow rate: approx. 15–30 l/h, low flow-dependence
- Shaft length: standard 175 mm, up to 220 mm (mA-Version)
- Connection: 4-pole plug, M12-male, mA-Version 2-pole terminal
- Material: PVC-U, semipermeable membrane

2

Areas of application:

- Water with high chlorine concentrations, process water, constant pH level, surfactants are tolerated

Scope of supply:

- DOSA*Sens* CH10 sensor, membrane cap, electrolyte, operating manual

Ordering data:

Type:	Measuring range: ppm	Resolution: ppm	Output signal:	Power supply:	Item number:
CH10-2000-M12	5–2000	1	0 to -2000 mV 1 kΩ	±5 to ±15 VDC ca. 10–mA	3626150
CH10-2000-An-M12	20–2000				3626160
CH10-2000-M0c	20–2000		Modbus RTU	20–56 mA	3226715
CH10MA2000	20–2000		4–20 mA	12–30 VDC	3226705
CH10MA2000-M12	20–2000				3226710

Subject to technical modifications and printing errors. Images may vary slightly from actual product..
22.04.2021

Additional technical data:

Type:	Slope:	Connection	Special characteristics:
CH10-2000-M12	-1 mV/ppm	5-pole M12 male	Connection only to controller with galvanic separate power supply.
CH10-2000-An-M12	-1 mV/ppm		-
CH10-2000-M0c	Modbus RTU	5-pole flange plug	-
CH10MA2000	0,008 mA/ppm	2-pole terminal	Connection only to controller with galvanic separate power supply.
CH10MA2000-M12		M12 plug	-

Spare parts:

Spare parts:	for sensor type:	Item number:
Membrane cap M10.1D-S, with G-holder for CH10	CH10 all types	9026027
Electrolyte ECH10/W, 100 ml	CH10 all types	9026076

Accessories:

Type:	for sensor typer:	Item number:
Sensor simulator pH, Redox, Cl	all sensors with mV signal	21131100
Sensor simulator SIM11.1n	0 mV, -100 mV, -1000mV	9026205
Sensor simulator 4 – 20 mA, current sensor	all sensors with mA signal	90249000
mV simulator und mA Tester	all sensors with mV signal or mA signal	21131105
Photometer for calibration	chlorine, total chlorine, isocyanuric, pH, chlorine dioxide	90231000

2.3.10.

DOSA*Sens* Chlorine sensor ILS2

Sensor for the measurement of free, inorganic chlorine with open measuring cell. Especially for installation in the direct fitting **DOSA*Sens* ILS**.



Product description:

- Measurand(s): free chlorine made of chlorine bleaching or chlorine gas and electrolytically generated chlorine
- Calibration: at the controller, via analytical determination by DPD-1 method
- Interferences: ozone, chlorine dioxide, chlorite are also registered
- pH range: 5–9
- Pressure range: 0–8 bar
- Temperature range: 0–50 °C
- Integrated automatic temperature compensation
- Response time: T₉₀ approx. 30 s
- Absence of the disinfectant: max. 24 h
- Flow rate: unlimited
- Shaft length: standard 175 mm
- Connection: M12 male
- Material: PVC-U

2

Areas of application:

- Fresh water, especially drinking water, up to max. 50 °C.

Scope of supply:

- **DOSA*Sens* ILS2**, sensor, electrolyte hull, electrolyte, operating manual

Ordering data:

Type:	Measuring range: ppm	Resolution: ppm	Output signal: mA	Power supply:	Item number:
ILS2MA5-CL-M12	0.03–approx. 5.00	0.01	4 ... 20	±12 to ±30 VDC R _i 500 - 900 Ω	3526020

Additional technical data:

Type:	Slope:	Connection:	Special characteristics:
ILS2MA5-CL-M12	3.2 mA/ppm	M12 male	Especially for installation in the direct fitting DOSA<i>Sens</i> ILS .

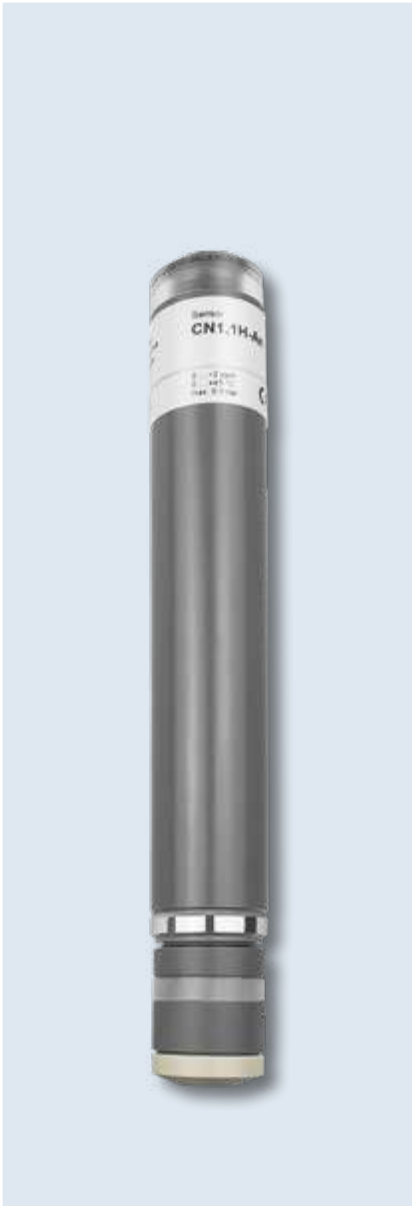
Subject to technical modifications and printing errors. Images may vary slightly from actual product.
05.02.2020

Spare parts:

Spare parts:	for sensor type:	Item number:
Abrasive paper S3	ILS2 all types	9026103
Electrolyte hull PVC	ILS2 all types	9026154
Elektrolyt EAS1/Gel	ILS2 alle Typen	9026066

Accessories:

Type:	for sensor type:	Item number:
Sensor simulator pH, Redox, Cl	all sensors with mV signal	21131100
Sensor simulator SIM11.1n	0 mV, -100 mV, -1000mV	9026205
Sensor simulator 4 – 20 mA, current sensor	all sensors with mA signal	90249000
mV Simulator and mA Tester	all sensors with mV signal or mA signal	21131105
Photometer for calibration	chlorine, total chlorine, isocyanuric, pH	90231000



Checks for the absence of chlorine in drinking water in order to protect equipment. Operating period in water without chlorine maximum four weeks.

Membrane-covered, amperometric potentiostatic 3-electrode system with integrated electronics.

Product description:

- Masurand(s): NaOCl (sodium hypochlorite), Cl₂ (chlorine gas), electrolytically generated chlorine
- Examination: by means of analytic determination of chlorine by DPD 1 method
- Calibrate the sensor with chlorinated water, establish a separate measurement circuit if required
- Interferences: ClO₂, O₃, bound chlorine may increase the value measured, reducing agent may cause slope loss
- Resolution: 0.001 ppm
- pH range: 6.5– 9
- Pressure range:
 - Operation without circlip: 0 ... 0.5 bar, no pressure surges and/or vibrations
 - Operation with circlip: 0 ... 1.0 bar, no pressure surges and/or vibrations
- Temperature range: 0–40 °C, (not any ice cristall in water)
- Integrated automatic temperature compensation
- Response time: T₉₀ approx. 2 min
- Absence of the disinfectant: max. 4 weeks
- Flow rate: approx. 15–30 l/h, low flow dependence
- Shaft length: standard 195 mm, and 205 mm (Modbus version)
- Connection: standard 4-pole plug, Modbus RTU M12 male
- Material: PVC-U, PEEK, stainless steel 1.4571, microporous membrane

2

Areas of application:

- Check for the absence of chlorine in water.

Scope of supply:

- DOSA*Sens* CN1.1 sensor, membrane cap, electrolyte, instruction manual

Ordering data:

Type:	Measuring range: ppm	Resolution: ppm	Output signal:	Power supply:	Item number:
CN1.1H-An-M12	0.005–2.00	0.001	0 to -2000 mV	9–30 VDC approx. 20 to 56 mA	3626170
CN1.1N-An-M12	0.05–20.00	0.1	(max. -2500 mV)/1 kΩ		3626171
CN1.1H-M0c	0.005–2.00	0.001	Modbus RTU		3326610
CN1.1N-M0c	0.05–20.00				3326612

Additional technical data:

Type:	Slope:	Connection:	Special characteristics:
CN1.1H-An-M12	-1000 mV/ppm	5-pole M12 male	
CN1.1N-An-M12	-100 mV/ppm		
CN1.1H-M0c	Modbus RTU	M12 male	
CN1.1H-M0c			

Spare parts:

Spare parts:	for sensor type:	Item number:
Membrane cap M48.2G	CN1.1 (all types)	9026021
Electrolyte EMST1/GEL	CN1.1 (all types)	9026053

Accessories:

Type:	for sensor type:	Item number:
Sensor simulator pH, Redox, Cl	all sensors with mV signal	21131100
Sensor simulator SIM11.1n	0 mV, -100 mV, -1000mV	9026205
Sensor simulator 4 – 20 mA, current sensor	all sensors with mA signal	90249000
mV Simulator and mA Tester	all sensors with mV signal or mA signal	21131105
Photometer for calibration	chlorine, total chlorine, isocyanuric, pH	90231000

2.3.12.

DOSA*Sens* Chlorine dioxide sensor CD4.2

Sensor for the measurement of chlorine dioxide. Membrane-covered, amperometric 2-electrode system.



Product description:

- Measurand(s): chlorine dioxide
- Calibration: at the controller, am Controller, via analytical chlorine-dioxide determination by DPD-1 method
- Interferences:
 - Cl₂ is being registered with factor 0.35 of ist measured value
 - O₃ is also registered
- pH range: 1 – 12, or the beginning of decomposition of chlorine dioxide at/over pH 12
- Pressure range:
 - Operation without circlip: 0 ... 0.5 bar, no pressure surges and/or vibrations
 - Operation with circlip: 0 ... 1.0 bar, no pressure surges and/or vibrations
- Temperature range: 0 – 45 °C
(no ice crystals in measurement water)
- Integrated automatic temperature compensation
(Temperature jumps must be avoided)
- Response time: T₉₀ approx. 15 s
- Absence of the disinfectant: max. 24 h
- Flow rate: approx. 15 – 30 l/h, low flow-dependence
- Shaft length: standard 175 mm, and up to 220 mm in length (mA-Version),
- Connection: standard 4-pole plug; for mA-version 2-pole terminal, M12 male or Modbus RTU with M12 male
- Material: PVC-U, semipermeable membrane

2

Areas of application:

- Swimming pool water, drinking water, service water, process water
(surfactants must not be contained).

Scope of supply:

- DOSA*Sens* CD4.2 sensor, membrane cap, electrolyte, instruction manual

Ordering data:

Type:	Measuring range: ppm	Resolution: ppm	Output signal:	Power supply:	Item number:
CD4.2H-M12	0.005–2.000	0.001	0 to -2000 mV 1 kΩ	±5 to ±15 VDC 10 mA	3626180
CD4.2N-M12	0.05–20.00	0.01			3626181
CD4.2H-An-M12	0.005–2.000	0.001	Modbus RTU	9–30 VDC 20–56 mA	3626190
CD4.2N-An-M12	0.05–20.00	0.01			3626191
CD4.2H-M0c	0.005–2.000	0.001	4–20 mA	12–30 VDC R _L = 50–900 Ω	3326465
CD4.2N-M0c	0.05–20.00	0.01			3326466
CD4.2MA0,5	0.005–0.500	0.001	3326480		
CD4.2MA2	0.05–2.00	0.01	3326481		
CD4.2MA5	0.05–5.00	0.01	3326482		
CD4.2MA10	0.05–10.00	0.01	3326483		
CD4.2MA20	0.05–20.00	0.01	3326484		
CD4.2MA0,5-M12	0.005–0.500	0.001	3326490		
CD4.2MA2-M12	0.05–2.00	0.01	3326491		
CD4.2MA5-M12	0.05–5.00	0.01	3326492		
CD4.2MA10-M12	0.05–10.00	0.01	3326493		
CD4.2MA20-M12	0.05–20.00	0.01	3326494		

Subject to technical modifications and printing errors. Images may vary slightly from actual product.
14.04.2021

Additional technical data:

Type:	Slope:	Connection:	Special characteristics:
CD4.2H-M12-M12	-1000 mV/ppm	5-pole M12 male	Connection only to controller with galvanic separate power supply.
CD4.2N-M12-M12	-100 mV/ppm		
CD4.2H-An-M12	-1000 mV/ppm		
CD4.2N-An-M12	-100 mV/ppm		
CD4.2H-M0c	Modbus RTU		
CD4.2N-M0c			
CD4.2MA0.5	32,0 mA/ppm	2-pole terminal	Connection only to controller with galvanic separate power supply.
CD4.2MA2	8,0 mA/ppm		
CD4.2MA5	3,2 mA/ppm		
CD4.2MA10	1,6 mA/ppm		
CD4.2MA20	0,8 mA/ppm		
CD4.2MA0.5-M12	32,0 mA/ppm	5-pole M12 male	
CD4.2MA2-M12	8,0 mA/ppm		
CD4.2MA5-M12	3,2 mA/ppm		
CD4.2MA10-M12	1,6 mA/ppm		
CD4.2MA20-M12	0,8 mA/ppm		

Spare parts:

Spare parts:	for sensor type:	Item number:
Membrane cap M20.2	CD4.2 all Types	9026001
Electrolyte ECD4 – ECD7/W	CD4.2 all Types	9026073

Accessories:

Type:	for sensor type:	Item number:
Sensor simulator pH, Redox, Cl	all sensors with mV signal	21131100
Sensor simulator SIM11.1n	0 mV, -100 mV, -1000mV	9026205
Sensor simulator 4 – 20 mA, current sensor	all sensors with mA signal	90249000
mV Simulator and mA Tester	all sensors with mV signal or mA signal	21131105
Photometer for calibration	chlorine, total chlorine, isocyanuric, pH, chlorine dioxide	90231060

2.3.13.

DOSASens Chlorine dioxide sensor CD10.1

Sensor for the measurement of chlorine dioxide. Membrane-covered, amperometric, 2-electrode measuring system. The membrane system is mechanically robust and it is largely tensile resistant.



Product description:

- Measurand(s): chlorine dioxide
- Calibration: at the controller, via analytical chlorine dioxide determination by DPD-1 method
- Interferences:
 - O₃ is measured with factor 25 to ClO₂
 - Cl₂ is factor 0,1
- pH 1 – pH 12 or beginning decay of chlorine dioxide from/above pH 12
- Pressure range:
 - Operation without circlip: 0 ... 0.5 bar, no pressure surges and/or vibrations
 - Operation with circlip: 0 ... 1.0 bar, no pressure surges and/or vibrations
- Temperature range: 0– 50 °C (not any ice crystal in water)
- Integrated automatic temperature compensation, 5 °C per hour, Temperature jumps are to be avoided
- Response time: T₉₀ approx. 60 s
- Absence of the disinfectant: max. 24 h
- Flow rate: ca. 15 – 30 l/h, low flow-dependence
- Shaft length: standard 175 mm, and up to 220 mm in length (in mA-Version)
- Connection: standard 4-pole plug; for mA-version 2-pole terminal, M12 male or Modbus RTU with M12 male
- Material: PVC-U, stainless steel 1.4571

Areas of application:

- All types of water treatment, including seawater (e.g. bottle washing machine, CIP system, rinser). The membrane system is mechanically robust and it is largely resistant to surfactants.

Scope of supply:

- DOSASens CD10.1 sensor, membrane cap, electrolyte, operating instructions

Ordering data:

Type:	Measuring range: ppm	Resolution: ppm	Output signal:	Power supply:	Item number:
CD10.1H-M12	0.005 ... 2.00	0.001	0 ... -2000 mV 1 kΩ	±5 ... ±15 VDC 10 mA	3626200
CD10.1N-M12	0.05 ... 20.00	0.01			3626201
CD10.1L-M12	0.5 ... 200	0.1			3626202
CD10.1H-An-M12	0.005 ... 2.00	0.001		9 ... 30 VDC 20 ... 56 mA	3626210
CD10.1N-An-M12	0.05 ... 20.0	0.01			3626211
CD10.1L-An-M12	0.5 ... 200	0.1			3626212
CD10.1H-M0c	0.005 ... 2.00	0.001	Modbus RTU	12 ... 30 VDC R _L = 50 ... 900 Ω	3226415
CD10.1N-M0c	0.05 ... 20.00	0.01			3226416
CD10.1L-M0c	0.5 ... 200	0.1			3226417
CD10.1MA0.5	0.005 ... 0.50	0.001	4 ... 20 mA	12 ... 30 VDC R _L = 50 ... 900 Ω	3226403
CD10.1MA2	0.005 ... 2.00	0.001			3226404
CD10.1MA5	0.05 ... 5.00	0.01			3226405
CD10.1MA10	0.05 ... 10.00	0.01			3226406

Ordering data:

Type:	Measuring range: ppm	Resolution: ppm	Output signal:	Power supply	Item number:
CD10.1MA20	0.05 ... 20.00	0.01	4 ... 20 mA	12 ... 30 VDC $R_L = 50 \dots 900 \Omega$	3226407
CD10.1MA200	0.5 ... 200.00	0.1			3226408
CD10.1MA0.5-M12	0.005 ... 0.50	0.001			3226409
CD10.1MA2-M12	0.005 ... 2.00	0.001			3226410
CD10.1MA5-M12	0.05 ... 5.00	0.01			3226411
CD10.1MA10-M12	0.05 ... 10.00	0.01			3226412
CD10.1MA20-M12	0.05 ... 20.00	0.01			3226413
CD10.1MA200-M12	0.5 ... 200.00	0.1			3226414

Additional technical data:

Type:	Slope:	Connection:	Special characteristics:
CD10.1H-M12	-1000 mV/ppm	5-pole M12 male	Connection only to a controller with galvanically separated power supply.
CD10.1N-M12	-100 mV/ppm		
CD10.1L-M12	-10 mV/ppm		
CD10.1H-An-M12	-1000 mV/ppm		
CD10.1N-An-M12	-100 mV/ppm		
CD10.1L-An-M12	-10 mV/ppm		
CD10.1H-M0c	Modbus RTU	M12 male	Connection only to a controller with galvanically separated power supply.
CD10.1N-M0c			
CD10.1L-M0c			
CD10.1MA0.5	32,0 mA/ppm	2 pole terminal	
CD10.1MA2	8,0 mA/ppm		
CD10.1MA5	3,2 mA/ppm		
CD10.1MA10	1,6 mA/ppm		
CD10.1MA20	0,8 mA/ppm		
CD10.1MA200	0,08 mA/ppm		
CD10.1MA0.5-M12	32,0 mA/ppm	M12 male	
CD10.1MA2-M12	8,0 mA/ppm		
CD10.1MA5-M12	3,2 mA/ppm		
CD10.1MA10-M12	1,6 mA/ppm		
CD10.1MA20-M12	0,8 mA/ppm		
CD10.1MA200-M12	0,08 mA/ppm		

Spare parts:

Spare parts:	for sensor type:	Item number:
Membrane cap M10.3 N	CD10.1 all types	9026028
Electrolyt ECD4 – ECD7/W	CD10.1 all types	9026073

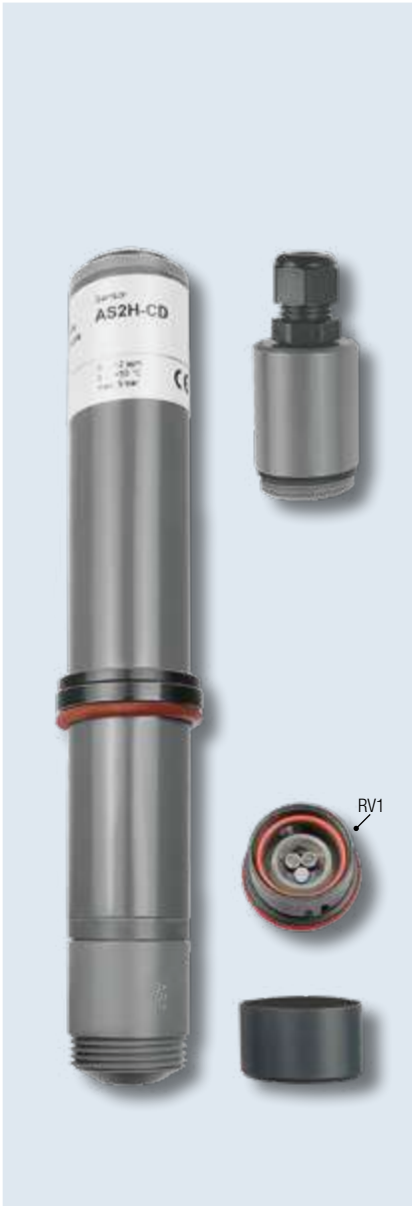
Accessories:

Type:	for sensor type:	Item number:
Sensor simulator pH, Redox, Cl	all sensors with mV signal	21131100
Sensor simulator SIM11.1n	0 mV, -100 mV, -1000mV	9026205
Sensor simulator 4 ... 20 mA, current sensor	all sensors with mA signal	90249000
mV simulator und mA tester	all sensors with mV signal or mA signal	21131105
Photometer for calibration	chlorine, total chlorine, isocyanuric, pH, chlorine dioxide	90231000

2.3.14.

DOSA*Sens* Chlorine dioxide sensor AS2, AS3

Sensor for the measurement of chlorine dioxide with open measuring cell. Optional with cleaning device.



Product description:

- Measurand(s): chlorine dioxide
- Calibration: at the controller, via analytical determination by DPD-1 method
- Interferences: ozone, chlorine, chlorite are registered with less than 2%
- pH range: 1 – 12, or the beginning decay of chlorine dioxide /over pH 12
- Pressure range:
 - Operation without circlip: 0–0.5 bar
 - Operation with circlip: 0–8.0 bar
- Temperature range:
 - 0–50 °C (AS2)
 - 0–70 °C (AS3)
- Automatic temperature compensation
- Response time: T_{90} approx. 30 s
- Absence of the disinfectant: max. 24 h
- Flow rate: at least 15 l/h (with RV1 increased at least 45 l/h)
- With the cleaning device (RV1) there is a restriction of the measuring range to 0,7 or 7 ppm
- Shaft length: standard 175 mm, and up to 220 mm in length (mA-Version)
- Connection: standard 4-pole plug; for mA-version 2-pole terminal, M12 male or Modbus RTU with M12 male
- Material: PVC-U (AS2), PEEK (AS3)

2

Areas of application:

- Drinking water, up to max. 70 °C.

Scope of supply:

- DOSA*Sens* AS2, AS3 chlorine dioxide sensor, electrolyte hull, electrolyte, operating manual

Ordering data:

Type: (up to 50°C)	Measuring range: ppm	Resolution: ppm	Output signal:	Power supply:	Item number:
AS2H-CD-M12	0.005 – 2.00	0.001	0 to -2000 mV 1 kΩ	±5 to ±15 VDC 10 mA	3626420
AS2N-CD-M12	0.03 – 20.00	0.01			3626421
AS2H-CD-An-M12	0.005 – 2.00	0.001	Modbus RTU	9 – 30 VDC ca. 20 – 56 mA	3626422
AS2N-CD-An-M12	0.03 – 20.00	0.01			3626423
AS2H-CD-M0c	0.005 – 2.00	0.001	4 to 20 mA	12 – 30 VDC $R_L = 50 – 900 \Omega$	3426820
AS2N-CD-M0c	0.03 – 20.00	0.01			3426821
AS2MA1-CD	0.03 – 1.00	0.01	4 to 20 mA	12 – 30 VDC $R_L = 50 – 900 \Omega$	3326151
AS2MA2-CD	0.03 – 2.00	0.01			3326152
AS2MA5-CD	0.03 – 5.00	0.01			3326153
AS2MA1-CD-M12	0.03 – 1.00	0.01			3426840
AS2MA2-CD-M12	0.03 – 2.00	0.01			3426841
AS2MA5-CD-M12	0.03 – 5.00	0.01		3426842	

Subject to technical modifications and printing errors. Images may vary slightly from actual product.
22.04.2021

Ordering data:

Type:	Measuring range: ppm	Resolution: ppm	Output signal:	Power supply:	Item number:
AS3H-CD-M12	0.005 – 2.00	0.001	0 to-2000 mV	±5 to ±15 VDC	3626430
AS3N-CD-M12	0.03 – 20.00	0.01	1 kΩ	10 mA	3626431
AS3H-CD-An-M12	0.005 – 2.00	0.001	0 to-2000 mV	9 – 30 VDC ca. 20 – 56 mA	3626432
AS3N-CD-An-M12	0.03 – 20.00	0.01	1 kΩ		3626433
AS3H-CD-M0c	0.005 – 2.00	0.001	Modbus RTU	ca. 20 – 56 mA	3426870
AS3N-CD-M0c	0.03 – 20.00	0.01			3426871
AS3MA1-CD	0.03 – 1.00	0.01	4 – 20 mA	12 ... 30 VDC R _L = 50 – 900 Ω	3326161
AS3MA2-CD	0.03 – 2.00	0.01			3326162
AS3MA5-CD	0.03 – 5.00	0.01			3326163
AS3MA1-CD-M12	0.03 – 1.00	0.01			3426890
AS3MA2-CD-M12	0.03 – 2.00	0.01			3426891
AS3MA5-CD-M12	0.03 – 5.00	0.01			3426892

Additional technical data:

Type:	Slope:	Connection:	Special characteristics:
AS2H-CD-M12	-1000 mV/ppm	5-pole M12 male	Connection only to a controller with galvanically separated power supply.
AS2N-CD-M12	-100 mV/ppm		
AS2H-CD-An-M12	-1000 mV/ppm		
AS2N-CD-An-M12	-100 mV/ppm		
AS2H-CD-M0c	Modbus RTU	M12 male	-
AS2N-CD-M0c			
AS2MA1-CD	16 mA/ppm	2 pole terminal	Connection only to a controller with galvanically separated power supply.
AS2MA2-CD	8.0 mA/ppm		
AS2MA5-CD	3.2 mA/ppm		
AS2MA1-CD-M12	16 mA/ppm	M12 male	Connection only to a controller with galvanically separated power supply.
AS2MA2-CD-M12	8.0 mA/ppm		
AS2MA5-CD-M12	3.2 mA/ppm		
AS3H-CD-M12	-1000 mV/ppm	5-pole M12 male	-
AS3N-CD-M12	-100 mV/ppm		
AS3H-CD-An-M12	-1000 mV/ppm		
AS3N-CD-An-M12	-100 mV/ppm		
AS3H-CD-M0c	Modbus RTU	M12 male	-
AS3N-CD-M0c			
AS3MA1-CD	16 mA/ppm	2 pole terminal	Connection only to a controller with galvanically separated power supply.
AS3MA2-CD	8.0 mA/ppm		
AS3MA5-CD	3.2 mA/ppm		
AS3MA1-CD-M12	16 mA/ppm	M12 male	Connection only to a controller with galvanically separated power supply.
AS3MA2-CD-M12	8.0 mA/ppm		
AS3MA5-CD-M12	3.2 mA/ppm		

Spare parts:

Spare parts:	for sensor type:	Item number:
Abrasive paper S3	AS all types	9026103
Electrolyte hull PVC	AS2 all types	9026154
Electrolyte hull PEEK	AS3 all types	9026220
Electrolyte EAS1/Gel	AS all types	9026066

Accessories:

Type:	for sensor type:	Item number:
Cleaning device RV1	AS (all types), *RV1: restriction of the measuring range to 0,7 or 7 ppm	9026180
Sensor simulator SIM11.1n	0 mV, -100 mV, -1000mV	9026205
Sensor simulator 4 – 20 mA, current sensor	all sensors with mA signal	90249000
mV Simulator and mA Tester	all sensors with mV signal or mA signal	21131105
Photometer for calibration	chlorine, total chlorine, isocyanuric, pH, chlorine dioxide	90231060

2.3.15.

DOSA*Sens* Chlorine dioxide sensor ILS2

Sensor for the measurement of chlorine dioxide with open measuring cell. Especially for installation in the direct fitting **DOSA*Sens* ILS**.



Product description:

- Measurand(s): chlorine dioxide
- Calibration: at the controller, via analytical determination by DPD-1 method
- Interferences:
 - ozone, chlorine, chlorite are registered with less than 2%
- pH range: 1 – 9
- Pressure range: 0 – 8 bar
- Temperature range: 0 – 50 °C
- Automatic temperature compensation
- Response time: T₉₀ approx. 30 s
- Absence of the disinfectant: max. 24 h
- Flow rate: unlimited
- Shaft length: standard 175 mm
- Connection: M12
- Material: PVC-U

2

Areas of application:

- Fresh water, especially drinking water, up to max. 50 °C.

Scope of supply:

- **DOSA*Sens* ILS2** chlorine dioxide sensor, electrolyte hull, electrolyte, operating manual

Ordering data:

Type:	Measuring range: ppm	Resolution: ppm	Output signal: mA	Power supply:	Item number:
ILS2MA5-CD-M12	0.03 – 5.00	0.01	4 – 20	±12 to ± 30 VDC R _L 500 – 900 Ω	3526070

Additional technical data:

Type:	Slope:	Connection:	Special characteristics:
ILS2MA5-CD-M12	3.2 mA/ppm	M12	Especially for installation in the direct fitting DOSA<i>Sens</i> ILS .

Subject to technical modifications and printing errors. Images may vary slightly from actual product.
05.02.2020

Spare parts:

Spare parts:	for sensor type:	Item number:
Abrasive paper S3	ILS2 all types	9026103
Electrolyte hull PVC	ILS2 all types	9026154
Electrolyte EAS1/Gel	ILS2 all types	9026066

Accessories:

Type:	for sensor type:	Item number:
Sensor simulator SIM11.1n	0 mV, -100 mV, -1000 mV	9026205
Sensor simulator 4 – 20 mA, current sensor	all sensors with mA signal	90249000
mV Simulator and mA Tester	all sensors with mV signal or mA signal	21131105
Photometer for calibration	chlorine, total chlorine, isocyanuric, pH, chlorine dioxide	90231060

2.3.16.

DOSASens Open amperometric sensor KC

Sensor for the measurement of the free inorganic chlorine, chlorine dioxide or ozone.



Product description:

- Measurand(s): Natriumhypochlorit (NaOCl), Calciumhypochlorit (Ca(OCl)₂), chlorine gas (Cl₂), electrolytically produced chlorine, chlorine dioxide, ozone
- pH range: 5–9
- Pressure range: 6 bar
- Flow rate: 30–40 l/h (min.)
- Shaft length: 120 mm (12 mm Ø)
- Material: glass body with gold electrode

2

Areas of application:

- Drink-, service- and industrial water, legionella bacteria.

Scope of supply:

- **DOSASens KC** open amperometric sensor

Ordering data:

Type:	Measuring range: mg/l	Resolution: ppm	Recommended controller/ measuring instrument:	Item number:
KCL (free chlorine)	0.01 – 20.00	0.01	DOSAControl DCW 105	2189200
KCLD (chlorine dioxide)	0.01 – 4.00			2189201
KCOZ (ozone)				2189202

Additional technical data:

Type:	Temperatur range: °C	Cable connection:	Connection: thread	Particular:
KCL (free chlorine)	5–70	5-pin screwed connectors	PG 13,5	In conjunction with a DCW 105, it is possible to run the sensor with a automatically cleaning function.
KCLD (chlorine dioxide)				
KCOZ (ozone)				

Subject to technical modifications and printing errors. Images may vary slightly from actual product.
07.09.2017

Sensor for the measurement of chlorite. Membrane-covered, amperometric 3-electrode measuring system.



Product description:

- Measurand(s): Chlorite from acid/chlorite process, chlorine/chlorite-process chlorite/oxidant-process
- Calibration: at the controller, via analytical determination of chlorite
- Interferences: Mn₂⁺, nitrite, Fe₂⁺
- No cross-interference to chlorine dioxide, chlorine and chlorate
- pH range: 6 ... 9
- Pressure range:
 - Operation without circlip: 0 ... 0.5 bar, no pressure surges and/or vibrations
 - Operation with circlip: 0 ... 5.0 bar, without outgassing, no pressure surges and/or vibrations
- Temperature range: 0 ... 40 °C (not any ice crystal in water)
- Integrated automatic temperature compensation
- Response time: T₉₀ approx. 1 min.
- Absence of the disinfectant: max. 24 h
- Flow rate: approx. 15 ... 30 l/h
- Shaft length: standard 175 mm, and up to 220 mm in length (mA-Version)
- Connection: standard 4-pole plug or Modbus RTU with M12 male
- Material: PVC, Peek, stainless steel 1.4571, membrane

2

Areas of application:

- Drinking water, swimming pool water, service water, process water.

Scope of supply:

- DOSA*Sens* MST1 sensor, membrane cap, electrolyte, operating manual

Ordering data:

Type:	Measuring range: ppm	Resolution: ppm	Output signal:	Power supply:	Item number:
MST1H-M12	0,005 ... 2,000	0,001	0 ... -2000 mV, 1 kΩ	±5 ... 15 VDC, 10 mA	3626240
MST1N-M12	0,05...2,00	0,01			3626241
MST1H-An-M12	0,005 ... 2,000	0,001	Modbus RTU	9 ... 30 VDC, approx. 20 ... 56 mA	3626250
MST1N-An-M12	0,05 ... 2,00	0,01			3626251
MST1H-M0c	0,005...2,000	0,001	Modbus RTU	approx. 20 ... 56 mA	3326410
MST1N-M0c	0,05...2,00	0,01			3326411
MST1MA2	0,005 ... 2,00	0,001	4 ... 20 mA	12 ... 30 VDC, R _L = 50 ... 900 Ω	3326440
MST1MA2-M12					3326441

Additional technical data:

Type:	Slope:	Cable connection:	Special characteristics:
MST1H-M12	-1000 mV/ppm	5-poliger M12 Schraubstecker	Anschluss nur an Controller mit galvanisch getrennter Stromversorgung.
MST1N-M12	-100 mV/ppm		
MST1H-An-M12	-100 mV/ppm		
MST1N-An-M12			
MST1H-M0c	Modbus RTU		
MST1N-M0c			
MST1MA2	8,0 mA/ppm	2-polige Klemme	Anschluss nur an Controller mit galvanisch getrennter Stromversorgung.
MST1MA2-M12			

Spare parts:

Spare parts:	for sensor type:	Item number:
Membrane cap M48.2	MST1 (all types)	9026020
Electrolyte EMST1/Gel	MST1 (all types)	9026053

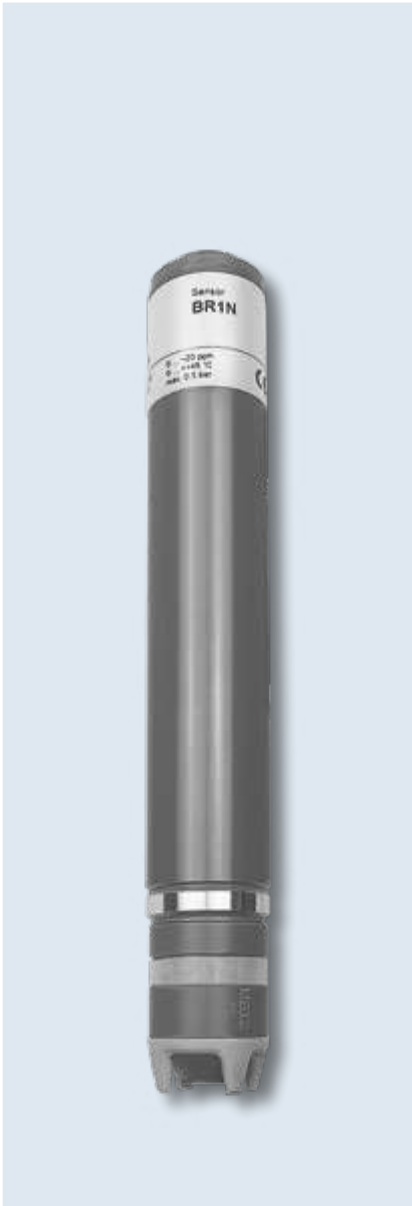
Accessories:

Type:	for sensor type:	Item number:
Sensor simulator pH, Redox, Cl	all sensors with mV signal	21131100
Sensor simulator SIM11.1n	0 mV, -100 mV, -1000mV	9026205
Sensor simulator 4 – 20 mA, current sensor	all sensors with mA signal	90249000
mV Simulator and mA Tester	all sensors with mV signal or mA signal	21131105
Photometer for calibration	chlorine, total chlorine, isocyanuric, pH, chlorite	90231010

2.3.18.

DOSASens Bromine sensor BR1

Membrane-covered, amperometric potentiostatic 3-electrode system. Detects free bromine as hypobromous acid and BCDMH, also in sea water.



Product description:

- Measurand(s): free bromine, 1-bromo-3-chloro-5,5-dimethyl-hydantoin BCDMH), hypobromous acid HOBr
- Calibration:
 - at the controller
 - by means of analytic bromine determination
 - depending on the brominating agent
 - free bromine: DPD1 method
 - BCDMH: DPD4 method
- Interferences: Cl₂, ClO₂, O₃, are measured as well
- pH range: 6.5–9.5, greatly reduced pH dependence
- Pressure range:
 - Operation without circlip: 0–0.5 bar, no pressure surges and/or vibrations
 - Operation with circlip: 0–1.0 bar, no pressure surges and/or vibrations
- Temperature range: 0–45 °C
- Integrated automatic temperature compensation
- Response time: T₉₀ approx. 2 min
- Absence of the disinfectant: max. 24 h
- Flow rate: approx. 15–30 l/h
- Shaft length: standard 175 mm, and up to 220 mm in length (mA-Version)
- Connection: standard 4-pole plug, for mA-version 2-pole terminal, M12 male or Modbus RTU with M12 male
- Material: PVC, Peek, stainless steel 1.4571, microporous hydrophilic membrane

2

Areas of application:

- Drinking-, pool-, industrial-, process- and sea water.

Scope of supply:

- DOSASens BR1 sensor, membrane cap, electrolyte, instruction manual

Ordering data:

Type:	Measuring range: ppm	Resolution: ppm	Output signal:	Power supply:	Item number:
BR1H-M12	0.005–2.000	0.001	0 to -2000 mV	±5 to +15 VDC 10 mA	3626220
BR1N-M12	0.05–20.00	0.01	1 kΩ		3626221
BR1H-An-M12	0.005–2.000	0.001	0 to -2000 mV (max. 2.500 mV), 1 kΩ	9–30 VDC, approx. 20–56 mA	3626230
BR1N-An-M12	0.005–2.000	0.001			3626231
BR1H-M0c	0.005–2.000	0.001	Modbus RTU		3326531
BR1N-M0c	0.05–20.00	0.01			3326530
BR1MA-2	0.05–2.00	0.1	4–20 mA	12–30 VDC R _L = 50 Ω (12 V) to 900 Ω (30 V)	3326505
BR1MA-5	0.05–5.00				3326515
BR1MA-10	0.05–10.00				3326520
BR1MA-2-M12	0.05–2.00	0.1		12–30 VDC R _L = 50–900 Ω	3326540
BR1MA-5-M12	0.05–5.00				3326541
BR1MA-10-M12	0.05–10.00				3326542

Subject to technical modifications and printing errors. Images may vary slightly from actual product.
16.04.2021

Additional technical data:

Type:	Slope:	Cable Connection:	Special characteristics:
BR1H-M12	-1000 mV/ppm	4-pole plug	Connection only to a controller with galvanically separated power supply.
BR1N-M12	-100 mV/ppm		
BR1H-An-M12	-1000 mV/ppm		
BR1N-An-M12	-100 mV/ppm		
BR1H-M0c	Modbus RTU	M12 male	-
BR1N-M0c			
BR1MA-2	8.0 mA/ppm	2-pole terminal	Connection only to a controller with galvanically separated power supply.
BR1MA-5	3.2 mA/ppm		
BR1MA-10	1.6 mA/ppm		
BR1MA-2-M12	8.0 mA/ppm	M12 male	
BR1MA-5-M12	3.2 mA/ppm		
BR1MA-10-M12	1.6 mA/ppm		

Spare parts:

Spare parts:	for sensor type:	Item number:
Membrane cap M48.2	BR1 all types	9026020
Electrolyte ECP1.4 Gel	BR1 for measurement with / without salts <1 g/l in the water (all types)	9026074

Accessories:

Type:	for sensor type:	Item number:
Sensor simulator pH, Redox, Cl	all sensors with mV signal	21131100
Sensor simulator SIM11.1n	0 mV, -100 mV, -1000mV	9026205
Sensor simulator 4 – 20 mA, current sensor	all sensors with mA signal	90249000
mV Simulator and mA Tester	all sensors with mV signal or mA signal	21131105
Photometer for calibration	chlorine, total chlorine, isocyanuric, pH, bromine	90231020

Ozone sensor with membrane-covered, amperometric 2-electrode system. Sensor for the measurement of dissolved ozone in water.



Product description:

- Measurand: ozone
- Calibration: at the controller, analytical determination by DPD-method
- Interferences:
 - Cl₂ is measured with factor 0.03 of its measuring value
 - ClO₂ is measured with factor 0.7 of its measuring value
- pH range: 2–11
- Pressure range:
 - Operation without circlip: 0–0.5 bar, no pressure surges and/or vibrations
 - Operation with circlip: 0–1.0 bar, no pressure surges and/or vibrations
- Temperature range: 0–45 °C (no ice crystals in measurement water)
- Integrated automatic temperature compensation
- Response time: T₉₀ approx. 15 sec.
- Flow rate: approx. 15–30 l/h, low flow-dependence
- Absence of the disinfectant: max. 24 h
- Shaft length: standard 175 mm, and up to 220 mm in length (mA-Version)
- Connection: standard 4-pole plug; for mA-version 2-pole terminal, M12 male or Modbus RTU with M12 male
- Material: PVC, semipermeable membrane

2

Areas of application:

- Swimming pool, drinking, service, process water, surfactants must not be contained.

Scope of supply:

- DOSA*Sens* OZ1.2 sensor, membrane cap, electrolyte, instruction manual

Ordering data:

Type:	Measuring range: ppm	Resolution: ppm	Output signal:	Power supply:	Item number:
OZ1.2H-M12	0.005–2.00	0.001	0 to -2000 mV 1 kΩ	±5 to ±15 VDC 10 mA	3626260
OZ1.2N-M12	0.05–20.00	0.01			3626261
OZ1.2H-A-M12	0.005–2.00	0.001			3626270
OZ1.2N-An-M12	0.05–20.00	0.01	Modbus RTU	9–30 VDC 20–56 mA	3626271
OZ1.2H-M0c	0.005–2.00	0.001			3426530
OZ1.2N-M0c	0.05–20.00	0.01	4–20 mA	12–30 VDC R _L = 50 to 900 Ω	3426531
OZ1.2MA0,5	0.001–0.50	0.001			3426550
OZ1.2MA2	0.01–2.00	0.01			3426551
OZ1.2MA5	0.01–5.00	0.01			3426552
OZ1.2MA10	0.01–10.00	0.01			3426553
OZ1.2MA20	0.01–20.00	0.01			3426554
OZ1.2MA0,5-M12	0.001–0.50	0.001			3426520

Subject to technical modifications and printing errors. Images may vary slightly from actual product.
15.04.2021

Ordering data:

Type:	Measuring range: ppm	Resolution: ppm	Output signal:	Power supply:	Item number:
OZ1.2MA2-M12	0.01 – 2.00	0.01	4–20 mA	12–30 VDC $R_L = 50–900 \Omega$	3426521
OZ1.2MA5-M12	0.01 – 5.00	0.01			3426522
OZ1.2MA10-M12	0.01 – 10.00	0.01			3426523
OZ1.2MA20-M12	0.01 – 20.00	0.01			3426524

Additional technical data:

Type:	Slope:	Cable Connection:	Special characteristics:
OZ1.2H-M12	-1000 mV/ppm	4-pin plug	Connection only to a controller with galvanically separated power supply.
OZ1.2N-M12	-100 mV/ppm		
OZ1.2H-An-M12	-1000 mV/ppm		
OZ1.2N-An-M12	-100 mV/ppm		
OZ1.2H-M0c	Modbus RTU	M12 male	Connection only to a controller with galvanically separated power supply.
OZ1.2N-M0c		M12 male	
OZ1.2MA0.5	32.0 mA/ppm	2 pole terminal	
OZ1.2MA2	8.0 mA/ppm		
OZ1.2MA5	3.2 mA/ppm		
OZ1.2MA10	1.6 mA/ppm		
OZ1.2MA20	0.8 mA/ppm		
OZ1.2MA0.5-M12	32.0 mA/ppm	M12 male	
OZ1.2MA2-M12	8.0 mA/ppm		
OZ1.2MA5-M12	3.2 mA/ppm		
OZ1.2MA10-M12	1.6 mA/ppm		
OZ1.2MA20-M12	0.8 mA/ppm		

Spare parts:

Spare parts:	for sensor type:	Item number:
Membrane cap M20.2	OZ1.2 all types	9026001
Electrolyte EOZ1	OZ1.2 all types	9026054

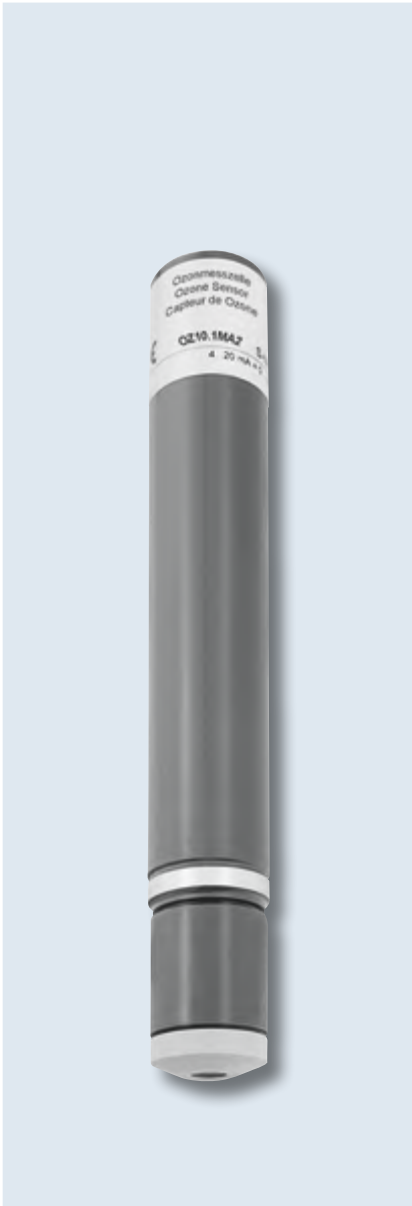
Accessories:

Type:	for sensor type:	Item number:
Sensor simulator pH, Redox, Cl	all sensors with mV signal	21131100
Sensor simulator SIM11.1n	0 mV, -100 mV, -1000mV	9026205
Sensor simulator 4 – 20 mA, current sensor	all sensors with mA signal	90249000
mV Simulator and mA Tester	all sensors with mV signal or mA signal	21131105
Photometer for calibration	chlorine, total chlorine, isocyanuric, pH, ozone	90231030

2.3.20.

DOSA*Sens* Ozone sensor OZ10.1

Ozone sensor with membrane-covered, amperometric 2-electrode system. Sensor for the measurement of dissolved ozone in water.



Product description:

- Calibration: at the controller, analytical determination by DPD-method (DPD-4 method) when used in seawater the DPD-4 method (DPD-1 + DPD-3) is not selective for ozone.
- Interferences:
 - Cl₂ on OZ10.1H → increase of measuring value by 1.5%
 - Cl₂ on OZ10.1N → negligible
 - ClO₂ on OZ10.1N → increase of measuring value by 6.0%
- pH range: 4–9
- ressure range:
 - Operation without circlip: 0–0.5 bar, no pressure surges and/or vibrations
 - Operation with circlip: 0–1.0 bar, no pressure surges and/or vibrations
- Temperature range: 0– 45 °C
- Integrated automatic temperature compensation
- Response time: T₉₀ approx. 8 min., Temperature jumps are to be avoided
- short run-in time
- Absence of the disinfectant: max. 24 h
- Flow rate: approx. 15–30 l/h, low flow-dependence
- high durability of the zero point, thus increased service life
- hohe Signalstabilität bei Druckschwankungen und Vibrationen
- Shaft length: Standard 175 mm, and up to 220 mm (mA-Version)
- Connection: standard 4-pole plug; mA-Version 2-pole terminal, M12 male or Modbus RTU witch M12 male
- Material: PVC-U, stainless steel 1.4571

2

Areas of application:

- Fresh water, fully desalinated water, reverse osmosis water, seawater, the membrane system is largely tenside resistant and mechanically robust.

Scope of supply:

- DOSA*Sens* OZ10.1 sensor, membrane cap, electrolyte, operating instructions

Ordering data:

Type:	Measuring range: ppm	Resolution: ppm	Output signal:	Power supply:	Item number:
OZ10.1H-M12	0.005–2.000	0.01	0 to -2000 mV 1 kΩ	±5 to ±15 VDC 10 mA	3626280
OZ10.1N-M12	0.05–20.00	0.01			3626281
OZ10.1H-An-M12	0.005–2.000	0.01			3626290
OZ10.1N-An-M12	0.05–20.00	0.01	Modbus RTU	9–30 VDC 20–56 mA	3626291
OZ10.1H-M0c	0.005–2.000	0.001			3226510
OZ10.1N-M0c	0.05–20.00	0.01	4–20 mA	12–30 VDC R _L = 50 to 900 Ω	3226511
OZ10.1MA0.5	0.005–0.500	0.001			3226515
OZ10.1MA2	0.005–2.00	0.001			3226516
OZ10.1MA5	0.05–5.00	0.01			3226517
OZ10.1MA10	0.05–10.00	0.01			3226518
OZ10.1MA20	0.05–20.00	0.01			3226519
OZ10.1MA0.5-M12	0.005–0.500	0.001			3226520

Subject to technical modifications and printing errors. Images may vary slightly from actual product.
05.05.2021

Ordering data:

Type:	Measuring range: ppm	Resolution: ppm	Output signal:	Power supply:	Item number:
OZ10.1MA2-M12	0.005–2.00	0.01	4–20 mA	12–30 VDC $R_L = 50–900 \Omega$	3226521
OZ10.1MA5-M12	0.05–5.00				3226522
OZ10.1MA10-M12	0.05–10.00				3226523
OZ10.1MA20-M12	0.05–20.00				3226524

Additional technical data:

Type:	Slope:	Cable Connection:	Special characteristics:	
OZ10.1H-M12	-1000 mV/ppm	4-pole plug	Connection only to a controller with galvanically separated power supply.	
OZ10.1N-M12	-100 mV/ppm			
OZ10.1H-An-M12	-1000 mV/ppm			
OZ10.1N-An-M12	-100 mV/ppm			
OZ10.1H-M0c	Modbus RTU	M12 male	Connection only to a controller with galvanically separated power supply.	
OZ10.1N-M0c				
OZ10.1MA0.5	32.0 mA/ppm	2-pole terminal		
OZ10.1MA2				8.0 mA/ppm
OZ10.1MA5				3.2 mA/ppm
OZ10.1MA10				1.6 mA/ppm
OZ10.1MA20	0.8 mA/ppm	M12-plug		
OZ10.1MA0.5-M12	32.0 mA/ppm			
OZ10.1MA2-M12	8.0 mA/ppm			
OZ10.1MA5-M12	3.2 mA/ppm			
OZ10.1MA10-M12	1.6 mA/ppm			
OZ10.1MA20-M12	0.8 mA/ppm			

Spare parts:

Spare parts:	for sensor type:	Item number:
Membrane cap M10.3N grey	OZ10.1 all types	9026028
Electrolyte EOZ7/W	OZ10 all types	9026049

Accessories:

Type:	for sensor type:	Item number:
Sensor simulator SIM11.1n	0 mV, -100 mV, -1000mV	9026205
Sensor simulator 4 – 20 mA, current sensor	all sensors with mA signal	90249000
mV Simulator and mA Tester	all sensors with mV signal or mA signal	21131105
Photometer for calibration	chlorine, total chlorine, isocyanuric, pH, ozone	90231030

2.3.21.

DOSASens Hydrogen peroxide sensor WP7



Sensor for the measurement of hydrogen peroxide, with membrane-covered, amperometric 2-electrode system. Tensides are partially tolerated. The membrane system is mechanically robust.

Product description:

- Measurand(s): Hydrogen peroxide
- Calibration:
 - DIN 38409-15 "Determination of hydrogen peroxide"
 - ISO/DIS 7157 "Determination of hydrogen peroxide – titrimetric method"
- Interferences:
 - Cl₂ must not be existent
 - Peroxyacetic acid C₂H₄O₃ must not be existent
 - O₃ must not be existent
 - Sulfides must not be existent
 - Phenoles aquaous solution >3 % must not be existent
- pH range: 2–11
- Pressure range:
 - Operation without circlip: 0–0.5 bar, no pressure surges and/or vibrations
 - Operation with circlip: 0–1.0 bar, no pressure surges and/or vibrations
- Temperature range: 0– 45 °C, no ice crystals in the measuring water
- Integrated automatic temperature compensation
- Response time: T₉₀ approx. 5– 10 min
- Absence of the disinfectant: max. 24 h
- Flow rate: approx. 15–30 l/h, low flow-dependence
- Shaft length: standard 175 mm, and up to 220 mm in length (mA-Version)
- Connection: standard 4-pole plug; M12 male, mA-version 2-pole terminal or M12 male
- Material: PVC-U, stainless steel 1.4571

2

Areas of application:

- All types of water treatment (e. g. CIP plant), including seawater
- Tensides are partially tolerated.

Scope of supply:

- DOSASens WP7 sensor, membrane cap, electrolyte, operating manual

Ordering data:

Type:	Measuring range: ppm	Resolution: ppm	Output signal:	Power supply:	Item number:
WP7H-M12	0.5–200	0.1	0 ... -2000 mV 1 kΩ	±5 ... ±15 VDC 10 mA	3626300
WP7N-M12	5–2000	1.0			3626301
WP7H-An-M12	0.5–200	0.1	Modbus RTU	9 ... 30 VDC 20 ... 56 mA	3626310
WP7N-An-M12	5–2000	1.0			3626311
WP7H-M0c	0.5–200	0.1	4 ... 20 mA	12 ... 30 VDC R _L = 50 ... 900 Ω	3226130
WP7N- M0c	5–2000	1.0			3226131
WP7MA-CC	0.5–200	0.1	4 ... 20 mA	12 ... 30 VDC R _L = 50 ... 900 Ω	3326081
WP7MA-D	5–500	0.1			3326075
WP7MA-M	0–1000	1.0			3326099
WP7MA-MM	0–2000	1.0			3326074
WP7MA-XM	0.005–10000	10.0			3326072
WP7MA-CC-M12	0.5–200	0.1			3226100

Subject to technical modifications and printing errors. Images may vary slightly from actual product.
26.04.2021

Ordering data:

Type:	Measuring range: ppm	Resolution: ppm	Output signal:	Power supply:	Item number:
WP7MA-D-M12	5 – 500	0.1	4 – 20 mA	12 – 30 VDC $R_L = 50 – 900 \Omega$	3426421
WP7MA-M-M12	5 – 1000	1.0			3426422
WP7MA-MM-M12	5 – 2000	1.0			3426423
WP7MA-XM-M12	0.005 – 10000	10.0			3426424

Additional technical data:

Type:	Slope:	Cable Connection:	Special characteristics:
WP7H-M12	-10 mV/ppm	4-pin plug	Connection only to a controller with galvanically separated power supply.
WP7N-M12	-1 mV/ppm		
WP7H-An-M12	-10 mV/ppm		
WP7N-An-M12	-1 mV/ppm		
WP7H-M0c	-10 mV/ppm	M12 male	-
WP7N-M0c	-1 mV/ppm		
WP7MA-CC	0.08 mA/ppm	2-pole terminal	Connection only to a controller with galvanically separated power supply.
WP7MA-D	0.032 mA/ppm		
WP7MA-M	0.016 mA/ppm		
WP7MA-MM	0.008 mA/ppm		
WP7MA-XM	0.0016 mA/ppm		
WP7MA-CC-M12	0.08 mA/ppm	male	
WP7MA-D-M12	0.032 mA/ppm		
WP7MA-M-M12	0.016 mA/ppm		
WP7MA-MM-M12	0.008 mA/ppm		
WP7MA-XM-M12	0.0016 mA/ppm		

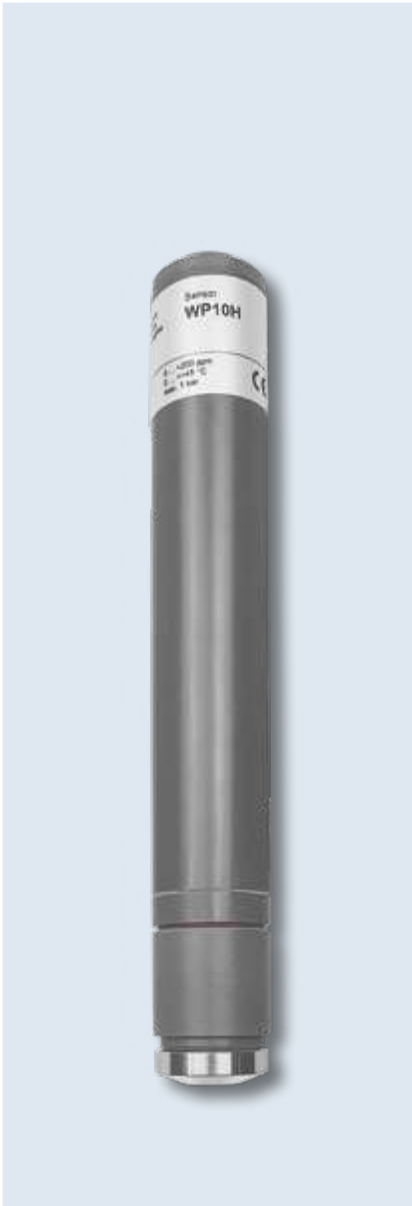
Spare parts:

Spare parts:	for sensor type:	Item number:
Membrane cap M7.1N	WP7 (all types except WP7MA-XM, WP7MA-XM-M12)	9026010
Membrane cap M7.1D	WP7MA-XM, WP7MA-XM-M12	9026007
Electrolyte EWP7/W	WP7 all types	9026062

Accessories:

Type:	for sensor type:	Item number:
Sensor simulator pH, Redox, Cl	all sensors with mV signal	21131100
Sensor simulator SIM11.1n	0 mV, -100 mV, -1000mV	9026205
Sensor simulator 4 – 20 mA, current sensor	all sensors with mA signal	90249000
mV Simulator and mA Tester	all sensors with mV signal or mA signal	21131105
Photometer for calibration	chlorine, total chlorine, isocyanuric, pH, hydrogen peroxide	90231030

Sensor for the measurement of hydrogen peroxide – especially for high concentrations. Membrane-covered, amperometric 2-electrode system. The membrane system is mechanically robust. The membrane system is largely tensile resistant.



Product description:

- Measurand(s): hydrogen peroxide
- Calibration:
 - DIN 38409-15 “Determination of hydrogen peroxide”
 - ISO/DIS 7157 “Determination of hydrogen peroxide – titrimetric method”
- Interferences:
 - Cl₂ must not be existent
 - PES must not be existent
 - O₃ must not be existent
 - Sulfide must not be existent
- Phenoles aquaous solution >3 % must not be existent
- pH range: 2–11
- Pressure range:
 - Operation without circlip: 0–0.5 bar, no pressure surges and/or vibrations
 - Operation with circlip: 0–1.0 bar, no pressure surges and/or vibrations
- Temperature range: 5–45 °C
- Integrated automatic temperature compensation
- Response time: T₉₀ approx. 8 min
- Absence of the disinfectant: max. 24 h
- Flow rate: approx. 15–30 l/h, low flow-dependence,
- Shaft length: standard 175 mm, and up to 220 mm in length (mA-Version)
- Connection: standard 4-pole plug, for mA-version 2-pole terminal, M12 male or Modbus RTU with M12 male
- Material: PVC-U, stainless steel 1.4571

2

Areas of application:

- All types of water treatment, also sea water, surfactants are tolerated to the greatest possible extent.

Scope of supply:

- DOSA*Sens* WP10 sensor, membrane cap, electrolyte, operating manual

Ordering data:

Type:	Measuring range: ppm	Resolution: ppm	Output signal:	Power supply:	Item number:
WP10H-M12	0,5 ... 200	0,1 ppm	0 to -2000 mV 1 kΩ	±5 to ±15 V DC 10 mA	3626320
WP10N-M12	5 ... 2000	1 ppm			3626321
WP10L-M12	0,005 ... 20000	0,001 % (10 ppm)			3626322
WP10-20%-M12	0,05 ... 200000	0,01% (100 ppm)			3626323
WP10H-An-M12	0,5 ... 200	0,1 ppm	0 to -2000 mV (max -2500 mV) 1 kΩ	9–30 V DC 20–56 mA	3626330
WP10N-An-M12	5 ... 2000	1 ppm			3626331
WP10L-An-M12	0,005 ... 2 % (20000 ppm)	0,001 % (10 ppm)			3626332
WP10-20%-An-M12	0,05 ... 20 % (200000 ppm)	0,01 % (100 ppm)			3626333
WP10H-M0c	0,5 ... 200	0,1	Modbus RTU		3326350
WP10N-M0c	5 ... 2000	1			3326353
WP10L-M0c	0,005 ... 2 % (20000 ppm)	0,001 % (10 ppm)			3326351
WP10-20%-M0c	0,05 ... 20 % (200000 ppm)	0,01 % (100 ppm)			3326352

Subject to technical modifications and printing errors. Images may vary slightly from actual product.
29.04.2021

Ordering data:

Type:	Measuring range: ppm	Resolution: ppm	Output signal:	Power supply:	Item number:
WP10MA-200	0,5 ... 200	0,1	4 – 20 mA	12 – 30 VDC R _L = 50 to 900 Ω	3326313
WP10MA-2000	5 ... 2000	1			3326314
WP10MA-2%	0,005 ... 2 % (20000 ppm)	0,001 % (10 ppm)			3326310
WP10MA-5%	0,05 ... 5 % (50000 ppm)	0,01 % (100 ppm)			3326311
WP10MA-10%	0,05 ... 10 % (100000 ppm)	0,01 % (100 ppm)			3326312
WP10MA-200-M12	0,5 ... 200	0,1			3326323
WP10MA-2000-M12	5 ... 2000	1			3326324
WP10MA-2%-M12	0,005 ... 2 % (20000 ppm)	0,001 % (10 ppm)			3326320
WP10MA-5%-M12	0,05 ... 5 % (50000 ppm)	0,01 % (100 ppm)			3326321
WP10MA-10%-M12	0,05 ... 10 % (100000 ppm)	0,01 % (100 ppm)			3326322

Additional technical data:

Type:	Slope:	Cable Connection:	Special characteristics:
WP10H-M12	-10 mV/ppm	5-pole M12 male	Connection only to a controller with galvanically separated power supply.
WP10N-M12	-1 mV/ppm		
WP10L-M12	-1000 mV/% (-0.1 mV/ppm)		
WP10-10-20%-M12	-100 mV/% (-0.01 mV/ppm)		
WP10H-An-M12	-10 mV/ppm		
WP10N-An-M12	-1 mV/ppm		
WP10L-An-M12	-1000 mV/% (-0.1 mV/ppm)		
WP10-20%-An-M12	-100 mV/% (-0.01 mV/ppm)		
WP10H-M0c	Modbus RTU	M12 male	Connection only to a controller with galvanically separated power supply.
WP10N-M0c			
WP10L-M0c			
WP10-20%-M0c			
WP10MA-200	2-pole terminal	2-pole terminal	
WP10MA-2000			
WP10MA-2%			
WP10MA-5%			
WP10MA-10%			
WP10MA-200-M12	M12 female	M12 male	
WP10MA-2000-M12			
WP10MA-2%-M12			
WP10MA-5%-M12			
WP10MA-10%-M12			

Spare parts:

Spare parts:	for sensor type:	Item number:
Membrane cap M10.1H + G	WP10H, WP10N, WP10MA-200, WP10MA2000 (all)	9026018
Membrane cap M10.1D + G	WP10L, WP10-20%, WP10MA-2%, WP10MA-5%, WP10MA-10%, WP10MA-20%; (all)	9026015
Electrolyte EWP7/W	WP10 all types	9026062

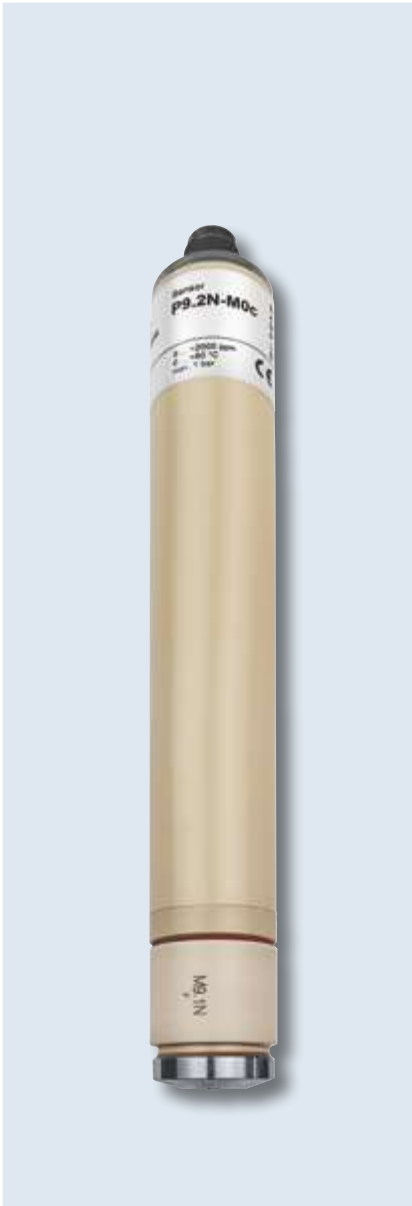
Accessories:

Type:	for sensor type:	Item number:
Sensor simulator pH, Redox, Cl	all sensors with mV signal	21131100
Sensor simulator SIM11.1n	0 mV, -100 mV, -1000mV	9026205
Sensor simulator 4 – 20 mA, current sensor	all sensors with mA signal	90249000
mV Simulator and mA Tester	all sensors with mV signal or mA signal	21131105
Photometer for calibration	chlorine, total chlorine, isocyanuric, pH, hydrogen peroxide	90231040

2.3.23.

DOSA*Sens* Peracetic acid sensor P9.2

Sensor for the measurement of peracetic acid. Membrane-covered amperometric 2-electrode system. Surfactants and lead acids are tolerated.



Product description:

- Measurand(s): Peracetic acid
- Calibration:
 - DIN 38409-15 "Determination of hydrogen peroxide"
 - ISO/DIS 7157 "Determination of hydrogen peroxide – titrimetric method"
- Interferences:
 - ClO₂ increases the measuring value
 - H₂O₂ very low influence on the measuring value, reduces the PES signal
 - O₃ increases the measuring value greatly
- pH range: 1–6
- Pressure range:
 - Operation without circlip: 0–0.5 bar, no pressure surges and/or vibrations
 - Operation with circlip: 0–1.0 bar, no pressure surges and/or vibrations
- Temperature range: 0–60 °C
- Integrated automatic temperature compensation
- Run-in period at first start: 30–180 min
- Response time: T₉₀ approx. 3.5 min at 10 °C, approx. 45 s at 50 °C
- Absence of the disinfectant: max. 24 h
- Flow rate: approx. 15–30l/h, low flow-dependence
- Shaft length: standard 175 mm, and up to 220 mm in length (mA-Version)
- Connection: standard 4-pole plug; for mA-version 2-pole terminal, M12 male or Modbus RTU with M12 male
- Material: PEEK, stainless steel 1.4571

Areas of application:

- Drinking water, all types of water treatment (e.g. CIP-plant, rinser ...)
- Lead acids: up to 1% sulfur, saltpetre and phosphoric acid have no influence on the measuring results.
- Surfactants are tolerated.

Scope of supply:

- DOSA*Sens* P9.2 sensor, membrane cap, electrolyte

Ordering data:

Type:	Measuring range: ppm	Resolution: ppm	Output signal:	Power supply:	Item number:
P9.2H-M12	0–200	0.1	0 to -2000 mV 1 kΩ	±5 to ±15 VDC 10 mA	3626360
P9.2N-M12	0–2000	1			3626361
P9.2L-M12	0–2 % (20000 ppm)	0.001 % (10 ppm)			3626362
P9.2H-An-M12	0–200	0.1	0 to -2000 mV (max. -2500 mV) 1 kΩ	9–30 VDC 20–56 mA	3626370
P9.2N-An-M12	0–2000	1			3626371
P9.2L-An-M12	0–2 % (20000 ppm)	0.001 % (10 ppm)			3626372
P9.2H-M0c	0–200	0.1	Modbus RTU		3426130
P9.2N-M0c	0–2000	1			3426131
P9.2L-M0c	0–2 % (20000 ppm)	0.001 % (10 ppm)			3426132

Subject to technical modifications and printing errors. Images may vary slightly from actual product.
23.04.2021

Ordering data:

Type:	Measuring range: ppm	Resolution: ppm	Output signal:	Power supply:	Item number:
P9.2-MA-200	0–200	0.1	4–20 mA	12–30 VDC R _L = 50 Ω (12 V) to 900 Ω (30 V)	3426100
P9.2-MA-2000	0–2000	1			3426101
P9.2-MA-2%	0–2 % (20000 ppm)	0.001 % (10 ppm)			3426102
P9.2-MA-200-M12	0–200	0.1			3426160
P9.2-MA-2000-M12	0–2000	1			3426161
P9.2-MA-2%-M12	0–2 % (20000 ppm)	0.001 % (10 ppm)			3426162

Additional technical data:

Type:	Slope:	Cable Connection:	Special characteristics:
P9.2H-M12	-10 mV/ppm	5-pole M12 male	Connection only to a controller with galvanically separated power supply.
P9.2N-M12	-1 mV/ppm		
P9.2L-M12	-1000 mV/% (-0.1 mV/ppm)		
P9.2H-An-M12	-10 mV/ppm		
P9.2N-An-M12	-1 mV/ppm		
P9.2L-An-M12	-0.1 mV/ppm (-1000 mV/%)		
P9.2H-M0c	Modbus RTU	M12 male	-
P9.2N-M0c			
P9.2L-M0c			
P9.2-MA-200	0.08 mA/ppm	2 pole terminal	Connection only to a controller with galvanically separated power supply.
P9.2-MA-2000	0.008 mA/ppm		
P9.2-MA-2%	8 mA/% (0.0008 mA/ppm)	M12 male	
P9.2-MA-200-M12	0.08 mA/ppm		
P9.2-MA-2000-M12	0.008 mA/ppm		
P9.2-MA-2%-M12	8 mA/% (0.0008 mA/ppm)		

Spare parts:

Spare parts:	for sensor type:	Item number:
Membrane cap M9.1N + G-Holder	P9.2 all types	9026016
Electrolyte EPS9H/W	P9.2N, P9.2H, P9.2MA-200, P9.2MA-2000	9026071
Electrolyte EPS9L/W	P9.2L, P9.2MA-2%	9026072

Accessories:

Type:	for sensor type:	Item number:
Sensor simulator pH, Redox, Cl	all sensors with mV signal	21131100
Sensor simulator SIM11.1n	0 mV, -100 mV, -1000mV	9026205
Sensor simulator 4 ... 20 mA, current sensor	all sensors with mA signal	90249000
mV Simulator and mA Tester	all sensors with mV signal or mA signal	21131105

2.3.24.

DOSASens Peracetic acid sensor PES7

Sensor for the measurement of peracetic acid ($C_2H_4O_3$), with membrane-covered, amperometric 2-electrode system. Up to 1% of sulfur- and nitric acid are tolerated. The membrane system is mechanically robust, tensides are partially tolerated.



Product description:

- Measurand(s): Peracetic acid
- Calibration:
 - titrimetric method or with PES standard solution e.g.
- Interferences:
 - ClO_2 is registered with factor 1 of its measuring value
 - H_2O_2 is registered with factor 0.005 of its measuring value
 - O_3 is registered with factor 2500 of its measuring value
- pH range: 1– 6
- Pressure range:
 - Operation without circlip: 0–0.5 bar, no pressure surges and/or vibrations
 - Operation with circlip: 0–1.0 bar, no pressure surges and/or vibrations
- Temperature range: 0–45 °C, not any ice crystal in test water
- Integrated automatic temperature compensation
- Response time: T_{90} approx. 3 min.
- Absence of the disinfectant: max. 24 h
- Flow rate: approx. 15–30 l/h, low flow-dependence
- Shaft length: standard 175 mm, and up to 220 mm in length (mA-Version)
- Connection: 5-pin M12 screwed plug (mV-, mA-, Modbus RTU-version), 2-pole terminal (mA-Version)
- Material: PVC-U, stainless steel 1.4571

Areas of application:

- All types of water treatment (e. g. CIP system), including seawater.
- Lead acids are tolerated.
- Tensides are partially tolerated.

Scope of supply:

- DOSASens PES7 sensor, membrane cap, electrolyte, operating manual

Ordering data:

Type:	Measuring range: ppm	Resolution: ppm	Output signal:	Power supply:	Item number:
PES7H-M12	0.5–200	0.1	0 to -2000 mV 1 kΩ	±5 to ±15 VDC, 10 mA	3626340
PES7N-M12	5–2000	1			3626341
PES7L-M12	0.005–2% (20000)	0.001% (10)			3626342
PES7H-An-M12	0.5–200	0.1		9– 30 VDC, 20– 56 mA	3626350
PES7N-An-M12	5–2000	1			3626351
PES7L-An-M12	0.005–2% (20000)	0.001% (10)			3626352
PES7Up	5–2000	1		±5 to ±12,5 VDC, 10 to 25 VDC, 25 mA	3326061
PES7Up5000	50–5000	1		±5 to ±15 VDC, 10 mA	3626010
PES7H-M0c	0.5–200	0.1	Modbus RTU	9– 30 VDC 20– 56 mA	3226220
PES7N-M0c	5–2000	1			3226221
PES7L-M0c	0.005–2% (20000)	0.001% (10)			3226222

Subject to technical modifications and printing errors. Images may vary slightly from actual product.
02.05.2022

Ordering data:

Type:	Measuring range: ppm	Resolution: ppm	Output signal:	Power supply:	Item number:
PES7MA-CC	0.5–200	0.1	4–20 mA	12–30 VDC $R_L = 50$ to 900 Ω	3326069
PES7MA-D	5–500	1.0			3326065
PES7MA-M	5–1000	1.0			3326097
PES7MA-MM	5–2000	1.0			3326063
PES7MA-5M	50–5000	1.0			3326066
PES7MA-CC-M12	0.5–200	0.1			3226240
PES7MA-D-M12	5–500	1.0			3226241
PES7MA-M-M12	5–1000	1.0			3226242
PES7MA-MM-M12	5–2000	1.0			3226243
PES7MA-5M-M12	50–5000	1.0			3226244

Additional technical data:

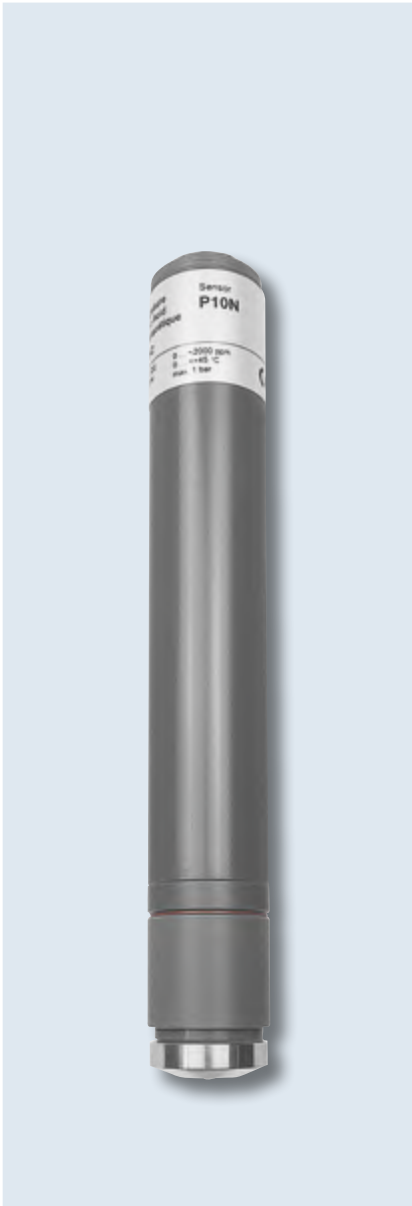
Type:	Slope:	Cable Connection:	Special characteristics:
PES7H-M12	-10 mV/ppm	5-pole M12 male	Connection only to a controller with galvanically separated power supply.
PES7N-M12	-1 mV/ppm		
PES7L-M12	-1000 mV/% (-0,1 mV/ppm)		
PES7H-An-M12	-10 mV/ppm		
PES7N-An-M12	-1 mV/ppm		
PES7L-An-M12	-1000 mV/% (-0,1 mV/ppm)		
PES7H-M0c	-10 mV/ppm		
PES7N-M0c	-1 mV/ppm		
PES7L-M0c	-1000 mV/% (-0,1 mV/ppm)		
PES7MA-CC	0,08 mA/ppm	2 pole terminal	Connection only to a controller with galvanically separated power supply.
PES7MA-D	0,032 mA/ppm		
PES7MA-M	0,016 mA/ppm		
PES7MA-MM	0,008 mA/ppm		
PES7MA-5M	32 mA/% (0,0032 mA/ppm)		
PES7Up	1 mV/ppm	5-pin M12 screwed plug	-
PES7Up5000	0,4 mV/ppm		

Spare parts:

Spare parts:	for sensor type:	Item number:
Membrane cap M7.1N	PES7 (H, Hup, N, Un, Up, MA-CC, MA-D, MA-M, MA-MM)	9026010
Membrane cap M7.1L	PES/ (L, Up5000, MA-XM, MA-XXM, MA-5M)	9026012
Electrolyte EPS7/W	PES7 (100 ml) all types	9026064
Electrolyte EPS7L/W	PES7L, PES7Up5000 (100 ml)	9026068

Accessories:

Type:	for sensor type:	Item number:
Sensor simulator pH, Redox, Cl	all sensors with mV signal	21131100
Sensor simulator SIM11.1n	0 mV, -100 mV, -1000mV	9026205
Sensor simulator 4–20 mA, current sensor	all sensors with mA signal	90249000
mV Simulator and mA Tester	all sensors with mV signal or mA signal	21131105



Sensor for the measurement of peracetic acid – surfactants and lead acids are tolerated. Peracetic acid sensor with membrane-covered, amperometric 2-electrode system. The membrane system is mechanically robust. The membrane system is largely tensile resistant.

Product description:

- Measurand(s): Peracetic acid
- Calibration of the controller:
 - DIN 38409-15 “Determination of hydrogen peroxide”
 - ISO/DIS 7157 “Determination of hydrogen peroxide – titrimetric method”
- Interferences:
 - ClO₂ is registered with factor 1 of its measuring value
 - H₂O₂ does not interfere
 - O₃ is registered with factor 2500 of its measuring value
- pH range: 1 – 6
- Pressure range:
 - Operation without circlip: 0–0.5 bar, no pressure surges and/or vibrations
 - Operation with circlip: 0–1.0 bar, no pressure surges and/or vibrations
- Temperature range: 0–45 °C
- Sensor with automatic temperature compensation
- Response time: T₉₀ approx. 1.5–5 min (depending on type and temperature)
- Absence of the disinfectant: max. 24 h
- Flow rate: approx. 45 l/h, low flow-dependence
- Shaft length: standard 175 mm, and up to 220 mm in length (mA-Version)
- Connection: standard 4-pole plug, M12 male, 2-pole terminal (for mA-version) or Modbus RTU with M12 male
- Material: PVC-U, stainless steel 1.4571

Areas of application:

- Fresh water, all types of water treatment (e.g. CIP-plant, rinses)
- Lead acids: up to 1% sulfur, saltpetre and phosphoric acid have no influence on the measuring results.
- Surfactants are tolerated.

Scope of supply:

- **DOSASens P10** sensor, membrane cap, electrolyte, operating manual

Ordering data:

Type:	Measuring range: ppm	Resolution: ppm	Output signal:	Power supply:	Item number:
P10H-M12	0–200	0.1	0 to -2000 mV 1 kΩ	±5 to ±15 VDC, 10 mA	3626380
P10N-M12	0–2000	1			3626381
P10L-M12	0–2 % (20000 ppm)	0.001 % (10 ppm)			3626382
P10H-An-M12	0–200	0.1	0 to -2000 mV (max. -2500 mV) 1 kΩ	9 – 30 VDC 20– 56 mA	3626390
P10N-An-M12	0–2000	1			3626391
P10L-An-M12	0–2 % (20000 ppm)	0.001 % (10 ppm)			3626392
P10H-M0c	0–200	0.1	Modbus RTU		3426030
P10N-M0c	0–2000	1			3426031
P10L-M0c	0–2 % (20000 ppm)	0.001 % (10 ppm)			3426032

Subject to technical modifications and printing errors. Images may vary slightly from actual product.
23.01.2021

Ordering data:

Type:	Measuring range: ppm	Resolution: ppm	Output signal:	Power supply:	Item number:
P10MA-200	0–200	0.1	4 to 20 mA	12–30 VDC R _L = 50 Ω (12 V) ... R _L 900 Ω (30 V)	3426054
P10MA-2000	0–2000	1			3426050
P10MA-2%	0–2 % (20000 ppm)	0.001 % (10 ppm)			3426051
P10MA-5%	0–5 % (50000 ppm)	0.01 % (100 ppm)			3426052
P10MA-200-M12	0–200	0.1			3426064
P10MA-2000-M12	0–2000	1			3426060
P10MA-2%-M12	0–2 % (20000 ppm)	0.001 % (10 ppm)			3426061
P10MA-5%-M12	0–5 % (50000 ppm)	0.01 % (100 ppm)			3426062

Additional technical data:

Type:	Slope:	Cable Connection:	Special characteristics:
P10H-M12	-10 mV/ppm	5-pole M12 male	Connection only to a controller with galvanically separated power supply.
P10N-M12	-1 mV/ppm		
P10L-M12	-1000 mV/% (-0,1 mV/ppm)		
P10H-An-M12	-10 mV/ppm		
P10N-An-M12	1 mV/ppm		
P10L-An-M12	-1000 mV/% (-0.1 mV/ppm)		
P10H-M0c	Modbus RTU	M12 male	-
P10N-M0c			
P10L-M0c			
P10MA-200	0.08 mA/ppm	2 pole terminal	Connection only to a controller with galvanically separated power supply.
P10MA-2000	0.008 mA/ppm		
P10MA-2%	8 mA/% (0,0008 mA/ppm)		
P10MA-5%	3.2 mA/% (0,00032 mA/ppm)		
P10MA-200-M12	0.08 mA/ppm	M12 male	
P10MA-2000-M12	0.008 mA/ppm		
P10MA-2%-M12	8 mA/% (0,0008 mA/ppm)		
P10MA-5%-M12	3.2 mA/% (0,00032 mA/ppm)		

Spare parts:

Spare parts:	for sensor type:	Item number:
Membrane cap M10.1N+G	P10H, P10N, P10L (all types), P10MA-200, P10MA-2000, P10MA2%	9026017
Membrane cap M10.1G+G	P10MA5%	9026015
Electrolyte EPS9H/W	P10H, P10N all types, P10MA-2000	9026071
Electrolyte EPS9L/W	P10 L, all P10MA-2%, all P10MA-5%	9026072

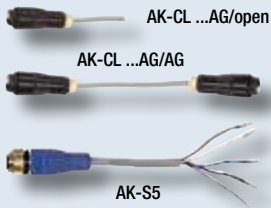
Accessories:

Type:	for sensor type:	Item number:
Sensor simulator pH, Redox, Cl	all sensors with mV signal	21131100
Sensor simulator SIM11.1n	0 mV, -100 mV, -1000mV	9026205
Sensor simulator 4 – 20 mA, current sensor	all sensors with mA signal	90249000
mV Simulator and mA Tester	all sensors with mV signal or mA signal	21131105

2.3.26.

DOSA*Sens* Connection cable AK

Connection cable for amperometric sensors.



Product description:

- Signal-transmitting cable
- 4-pin threaded coupling connector
- Male
- Easy connection
- Available with cable lengths ranging from 0.5 to 30 m
- Tested by the manufacturer

Areas of application:

- Amperometric sensors.

Scope of supply:

- **DOSA*Sens* Connection cable AK**

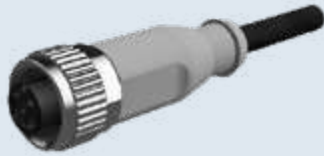
Ordering data:

Type:	Length: m	Amount of poles:	Item number:
AK-CL0.5 male/open	0.5	4	3188052
AK-CL1 male/open	1.0		3188053
AK-CL2 male/open	2.0		3188054
AK-CL3 male/open	3.0		31107001
AK-CL5 male/open	5.0		3188056
AK-CL10 male/open	10.0		3188057
AK-CL15 male/open	15.0		3188058
AK-CL0,5 male/male	0.5		3188062
AK-CL1 male/male	1.0		3188063
AK-CL2 male/male	2.0		3188064
AK-CL3 male/male	3.0		3188065
AK-CL5 male/male	5.0		3188066
AK-CL10 male/male	10.0		3188067
AK-CL15 male/male	15.0		3188068
AK-S5-5 for KCL-Sensors	5.0		3331010
AK-CL 2, Modbus / mA, male/open (M12 plug)	2.0		31107000
AK-CL 5, Modbus / mA, male/open (M12 plug)	5.0		31107001
AK-CL 10, Modbus / mA, male/open (M12 plug)	10.0		31107002

Subject to technical modifications and printing errors. Images may vary slightly from actual product.
Nov. 2022

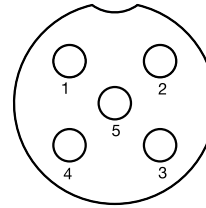
2.3.27.

DOSA*Sens* Replacement electrolytes E



Anschlusskabel mit 5-pol-Stecker

Cable sheath	TPU (polyurethane)
Handle	TPU
Union nut	GD-Zn, Ni
Protection rating	IP67 if screwed down



- 1 - brown
- 2 - white
- 3 - blue
- 4 - black
- 5 - green/yellow

Typ:	Länge:		Inhalt:	Artikelnummer:
AK-CL M12	0.7 m	male/open	5	31121000
AK-CL M12	1.0 m	male/open		31121005
AK-CL M12	10.0 m	male/open		31121025
AK-CL M12	15.0 m	male/open		31121030
AK-CL M12	2.0 m	male/open		31121010
AK-CL M12	20.0 m	male/open		31121035
AK-CL M12	5.0 m	male/open		31121015
AK-CL M12	7.0 m	male/open		31121020

Wiring mV (analogue signal processing)	0...-2000 mV	...+2000 mV
	White: +U	White: +U
	Blue: -U	Blue: voltage-GND
	Black: signal-GND	Black: signal-GND
	Green/yellow: not used	Green/yellow: not used
	Braun: measurement signal	Braun: measurement signal

Wiring mV (digitale signal processing)	0...+/-2000 mV
	White: +U
	Blue: voltage-GND
	Black: signal-GND
	Brown: measurement signal

Wiring Modbus	White: +U
	Blue: voltage-GND
	Black: RS485B
	Green/yellow: RS485A
	Brown: measurement signa

Wiring mA	White: +U
	Blue: -U
	Black: not used
	Green/yellow: not used
	Brown: not used

Subject to technical modifications and printing errors. Images may vary slightly from actual product.
Nov. 2022

Electrolytes for amperometric sensors.

Product description:

- Suitable for amperometric sensors
- Make sure you choose the right electrolyte for your sensor

Areas of application:

- Amperometric sensors.

Scope of supply:

- **DOSA*Sens* Replacement electrolytes E**, 100 ml, 50 ml

Ordering data:

Type:	for Sensor type:	Volume:	Item number:
ECL1	Chlorine: CL3, CL4.1, CL4.2	100	9026050
ECL2.1	Chlorine: CL2.1		9026058
ECS2.1/Gel	Chlorine: CS 2.3, CS4		9026060
EAS1/Gel	Chlorine: AS (all)	50	9026066
ECP1.4/Gel	Chlorine: CP/CH1 (all), Bromine: BR1	100	9026074
ECC1.1/Gel	Chlorine: CC1 (all)		9026075
ECD4/W - 7/W	Chlorine dioxide: CD4, CD7 and CD10		9026073
EMST1/Gel	Chlorite: MST1N , zero chlorine sensor CN1		9026053
EOZ1/W	Ozone: OZ1, OZ1.2		9026054
EOZ7/W	Ozone: OZ7, OZ10		9026049
EWP7/W	Hydrogen peroxide: WP7, WP10		9026062
EPS7/W	Peracetic acid: PES7		9026064
EPS7L/W	Peracetic acid: PES7L, PES7Up5000		9026068
EPS9H/W	Peracetic acid: P9.1/P9.2 (H/N/MA-200/MA-2000/Up2000/Up5000), P10 (H/N/MA-200/MA-2000/Up2000)		9026071
EPS9L/W	Peracetic acid: P9.2L, P10L	9026072	

2.3.29.

DOSA*Sens* Membrane caps M

Membrane caps for amperometric sensors.



Product description:

- Preserves the functionality and sensitivity of the sensors
- We recommend the membrane caps should be changed twice a year or sooner if damaged or soiled
- Keep spares in stock for emergencies

2

Areas of application:

- Amperometric sensors.

Scope of supply:

- DOSA*Sens* Membrane cap M, sandpaper (for the anode in the tip of the sensor)
- Depending on the model: Tweezers for G holder, silicone O-ring (20 x 1.5), shock protection, pressure equalising membrane

Ordering data:

Type:	for sensor type:	G holder:	Sandpaper:	Item number:
M20.2	Chlorine: CL2.1 : N, MA2, MA20; CL3.1DW; CL6.0; CL4.1 : N, Up, H, L, MA0.5, MA2, MA5, MA10, MA20, MA-100, MA-200; CL4.2: N, Up, H, L, MA0.5, MA2, MA5, MA10, MA20, MA-100, MA-200 Chlorine dioxide: CD4 : N, H, MA0.5, MA2, MA5, MA10; CD4.2: N, H, MA0.5, MA2, MA5, MA10 Ozone: OZ1 : N, H, MA0.5, MA2, MA5, MA10, MA20; OZ1.2: N, H, MA0.5, MA2, MA5, MA10, MA20	No	S1	9026001
M48.2	Chlorine: CP, CC Chlorite: MST Bromine: BR	No	S1	9026020
M48.2G	Chlorine: CS2.3, CS3, CN1	Yes	S1	9026021
M48.2D	Chlorine: CP2.1HUn, CP2.1H	No	S1	9026022
M48.4E	Chlorine: CS4, CP4.0	No	S1	9026023
M48.4S	Chlorine: CS4SW, CP4.0SW (salt water)	No	S1	9026026
M7.1D	Hydrogen peroxide: WP7MA-XM	No	S2	9026007
M7.1N	Chlorine dioxide: CD7: H, HUp, N, Up, MA0.5, MA2, MA5, MA10, MA20 Peracetic acid: PES7: H, HUp, N, Un, Up, MA-CC, MA-D, MA-M, MA-MM; Hydrogen peroxide: WP7: H, HUn, Un, Up, MA-CC, MA-D, MA-M, MA-MM, N	No	S2	9026010

Subject to technical modifications and printing errors. Images may vary slightly from actual product.
16.02.2021

Ordering data:

Type:	for sensor type:	G holder:	Sandpaper:	Item number:
M7.1N 03	Ozone: OZ7H, OZ7HUp, OZ7MA0.2, OZ7MA0.	No	S2	9026011
M7.1L	Peracetic acid: PES7: L, Up5000, MA-XM, MA-XXM, MA-5M Hydrogen peroxide: WP7: CUn, LUn, Up-CM, MA-CM, MA-LM, MA-XXM Chlorine dioxide: CD7: L, MA-200		S2	9026012
M7.1D 03	Ozone: OZ7N: OZ7MA2/5/10/20 - OZ7Up		S2	9026013
M9G	Peracetic acid: P9: D, L, N, Up2000, Up5000, -20%	Yes	S2	9026009
M9.1N	Peracetic acid: P9.2: H, N, L, MA-200, MA-2000, MA-2%	Yes	S2	9026016
M10.1D	Peracetic acid: P10: MA-5%; WP10: L, 10-20%, MA-2%, MA-5%	Yes	S2	9026015
M10.1N	Peracetic acid: P10: H, N, L, MA-200, MA-2000, MA-2%, Up5000 Chlorine dioxide: CD10: H, N, MA2, MA5, MA10, MA20	Yes	S2	9026017
M10.1H	Hydrogen peroxide: WP10H, WP10N / WP10MA-200	Yes	S2	9026018
M10.1D 03	Ozone: OZ10	Yes	S2	9026019
M10.3N	Chlorine dioxide: CD10.1 Ozone: OZ10.1	No	S2	9026028
MT1.1	For all CH1L chlorine sensors	No	S1	9026024
G-Holder	Chlorine: CS2.3 / CS3 / FC1 / CN1 Peracetic acid: P9 / P10 Hydrogen peroxide: WP10			9026070

2.3.30.

DOSASens Simulator pH, redox and chlorine

Simulation of sensors with pH, redox or chlorine output.



Product description:

- Simulator for signals from pH, redox or amperometric sensors such as: chlorine, bromine, ozone, hydrogen peroxide, etc.
- Selection of multiple simulation ranges
- pH simulation range 0–14 or 6.4–8.0
- Redox simulation range 0–1400 mV
- 0 to -600 mV output for amperometric sensors
- SN6 socket for pH or redox
- 4-pin socket mV signal
- 9 V monobloc battery (please replace annually, not included)

2

Areas of application:

- Simulation of sensors with pH, redox or chlorine output.

Scope of supply:

- **DOSASens Simulator pH, redox and chlorine**, dimensions 135 x 80 x 45 mm (L x W x H)

Ordering data:

Type:	Item number:
Simulator pH, redox and chlorine	21131100
pH or redox connection lead, AK 1 SN6/BNC , 1.0 m, Ø. 5 mm	3184082
mV signal connection lead, chlorine, plug AK-CL 1 AG/open	3188053

2.3.31.

DOSA*Sens* Simulator SIM11.1n

Simulation of sensors with 0, -100 and -1000 mV output.

Product description:

- Simulator for sensors with mV output
- Selection of simulation range
- Available signals: 0 mV, -100 mV, -1000 mV
- Connection identical to the sensor (AK-CL)
- Power supply ± 5 to ± 15 VDC (from the controller)
- EMC testing in accordance with DIN EN 61326-1

Areas of application:

- Simulation of sensors with pH, redox or mV output.

Scope of supply:

- DOSA*Sens* Simulator SIM11.1n

Ordering data:

Type:	Item number:
Simulator SIM11.1n	9026205

2.3.32.

DOSA*Sens* Simulator/Tester pH, redox, mV or mA signal

Simulation/testing of sensors with pH, redox, mV or mA signal.



Product description:

- Digital display of the measured values
- Simple switching from measurement to testing
- Infinitely variable
- Simulator/tester for signals from pH, redox, mV or mA sensors
- Measuring range: (measuring and simulation)
 - pH: 0–14
 - Redox: 0 to ± 1400 mV
 - Amperometric sensors: 0 to -100 mV
 - Amperometric sensors: 0 to -1000 mV
 - mA input 4–20 mA measuring cells
- Continuity tester
- Cable connection:
 - pH/Redox 2 x SN 6
 - mV 4-pin external thread
 - mA with 5-pin with a 2-pin assignment

2

Areas of application:

- Simulation of sensors with pH, redox and mV.
- Test of pH, redox, continuity, mV or mA signal.

Scope of supply:

- DOSA*Sens* Simulator/Tester pH, Redox, mV or mA signal
- Cables are included

Ordering data:

Type:	Item number:
Simulator/Tester pH, Redox, mV or mA Signal	21131105



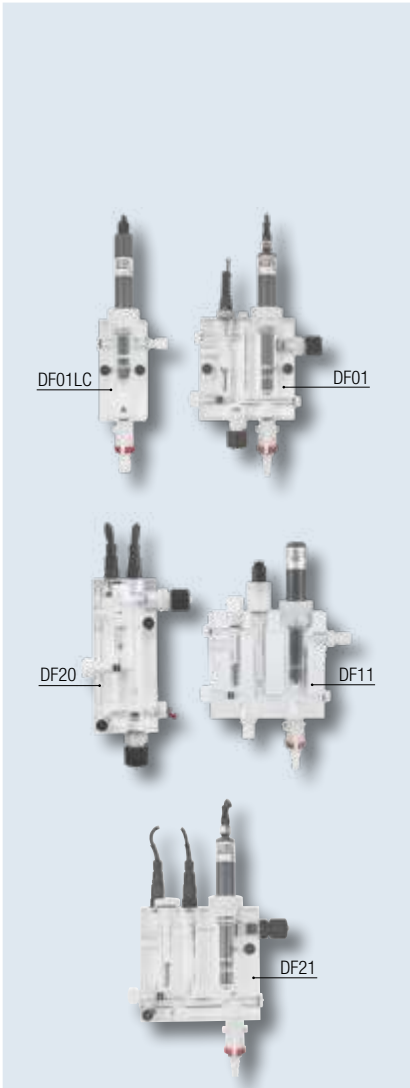
2. Sensors

2.4. Probe holder

2.4.1.

DOSASens Flow cell DF

Flow cell made of high-grade, transparent acrylic (PMMA) for holding electrochemical sensors.



Product description:

- High-quality device made of transparent acrylic (PMMA)
- Equipped with needle valve to set the flow rate and with float to indicate the current flow
- As an option for flow monitoring: inductive proximity switch
- The fitting is equipped with a sample valve (except for DF 20)
- The flow geometry is perfectly adapted to the sensors
- Operating temperature range: 25 to 75°C
- C (water up to 50 °C, cold water) connection in PP, screw connection in PVC
- H (water up to 80°C, hot water) connection in PVDF, screw connection in PVDF
- 80 °C as an option for hot water (this option allows an operating pressure of 8 bar even at 80 °C, make sure you select a corresponding kit for the hose connection)
- Max. operating pressure: 6 bar
- Sample water flow rate: > 30 l/h
- Connection: 1 ¼" with d = 25 mm, PG 13.5
- (Connection to temperature sensor possible, except DF01LC-C and DF01LC)

Areas of application:

- Holding electro-chemical sensors.
- e.g. pH, redox (ORP), oxygen, temperature

Scope of supply:

- **DOSAFlow DF** flow cell
(Electrodes, sensors and temperature sensors are not scope of supply.)

Ordering data:

Type:	Equipment:	Connections:	Item number:
DF01LC-C	1 amperometric measuring cell	1 x 1 ¼" (female thread)	3488070
DF01LC-H	1 amperometric measuring cell	1 x 1 ¼" (female thread)	3488080
DF01H	1 amperometric measuring cell	1 x 1 ¼"	3488210
DF20H	2 electrodes	2 x PG 13.5	3488175
DF11C	1 amperometric measuring cell, 1 electrode	1 x PG 13.5, 1 x 1 ¼"	3488260
DF11H	1 amperometric measuring cell, 1 electrode	1 x PG 13.5, 1 x 1 ¼"	3488275
DF21	2 electrodes, 1 amperometric measuring cell	2 x PG 13.5, 1 x 1 ¼"	3488155

Options:

Type:	Equipment:	Item number:
Connection kit for cold water up to 50 °C	Hose connection with 2 shut-off ball valves, 2 hose connections ½" and, respectively,	3488400
Connection kit for hot water up to 80 °C	2 x 2 m connection hose 6 x 8 mm	3488405
Inductive proximity switch DFÜ1	Connection kit PNP type (NO), 2 m fixed cable	3454000
Inductive proximity switch DFÜ2	Connection kit NPN type (NO), 2 m fixed cable	3454010
Inductive proximity switch DFÜ3	Connection kit PNP type (NC), 2 m fixed cable	3454050
Inductive proximity switch DFÜ4	Connection kit NPN type (NC), 2 m fixed cable	3454060

2.4.2. DOSASens Flow cell DAS

PVC Flow cell for holding electrodes with PG 13.5



Product description:

- Made of high-grade PVC
- Operating temperature range: 1 to 50 °C
- Max. operating pressure: 6 bar
- The **DAS** flow cells have screw connections and PVC glue sockets, enabling them to be mounted in the full stream
- Connection: glue socket
- Electrode holding thread PG 13.5

Areas of application:

- Holding of electrodes.
- e.g. pH, redox (ORP), oxygen, temperature

Scope of supply:

- **DOSAFlow DAS** flow cell

Ordering data:

Type:	Equipment:	Connections:	Item number:
DAS 1KC DN 25, D 32	1 electrode holder	EPDM	3488020
DAS 1KC DN 25, D 32		Viton	3488025

2.4.3.

DOSASens Flow cell ETA

PP immersion cell for electrode attachment.



Product description:

- Operating temperature: 0 to 80 °C
- Max. operating pressure: 8 bar
- Material: polypropylene
- Electrode length: 120 mm
- Connection: PG 13.5
- Cable inlet protection: IP 65
- Design:
 - ETA 1: Ø 40 mm, for 1 electrode

2

Areas of application:

- Installation in open tanks and channels.
- e.g. pH, redox (ORP), oxygen, temperature, conductivity (conductive glass electrodes) electrodes

Scope of supply:

- **DOSAFlow ETA** flow cell immersion cell, incl. 2 pipe clamps for wall mounting

Ordering data:

Type:	Length: mm	Connections:	Item number:
ETA (1 electrode)	500	PG13.5	34183001
	1000		34183002
	1500		34183003
	2000		34183004

Options:

Type:	Length: mm	Item number:
Optional immersion tube length	Custom length	On request

Subject to technical modifications and printing errors. Images may vary slightly from actual product.
22.01.2018



Accessories: PP (polypropylene) mounting flange

Type:	Item number:
Mounting flange DN32	34183060
Mounting flange DN50	34183065

Accessories: Wetting cup type N1 made of PP

Type:	Item number:
Wetting cup	34183080

Accessories: Electrode spray cleaner type S made of PP

Type:	Item number:
Cleaning nozzle for immersion cell 500 mm	34183090
Cleaning nozzle for immersion cell 1000 mm	34183091
Cleaning nozzle for immersion cell 2000 mm	34183092

2.4.4.

DOSA*Sens* Flow cell ILS

Flow cell for the **DOSA*Sens* ILS2** amperometric sensor (without membrane). The **DOSA*Sens* flow cell ILS** was developed for direct pipe installation without bypass – and for uninterrupted* installation in the process chain. Very well suited even in confined spaces, where a bypass may not be possible.

Product description:

- Flow cell for *uninterrupted** installation of an amperometric sensor. (*Uninterruptible* installation:* The **DOSA*Sens* flow cell ILS** is installed by drilling the pipe, under pressure and while the flow/operation is running).
- Very suitable in confined spaces
- Tapping clamp made of metal with blue epoxy coating (certified for drinking water)
- Adjusting strap made of stainless steel (AISI 304) and insulation made of EPDM
- Stainless steel nuts (AISI 304)
- Pressure sensor (stainless steel)
- Sampling valve (stainless steel)
- Operating temperature range: 0–75 °C (flow cell), 50 °C ILS2 sensors
- High pressure absorption of special sensors possible (up to 8 bar), the fitting itself can take up to 16 bar, this buffer ensures the tightness
- Sample water flow rate: unlimited (ILS sensors must not stand dry)
- Connection: 1 ¼" mit d = 25 mm

Areas of application:

- Holding electro-chemical sensors. E.g. chlorine, chlorine dioxide
- cramped space
- uninterrupted installation

Scope of supply:

- **DOSA*Sens* flow cell ILS**, valve for sampling, pressure gauge and pipe clamp made of stainless steel (**ILS2-Sensor** is not included.)

Ordering data:

Type:	Equipment:	Connection sizes:	Connections:	Item number:
ILS60	Recording for an amperometric sensor.	DN60	1 x 1 ¼" (inner thread)	38288000
ILS80		DN80		38288010
ILS100		DN100		38288020
ILS125		DN125		38288030
ILS150		DN150		38288040
ILS175		DN175		38288050
ILS200		DN200		38288060
ILS225		DN225		38288070
ILS250		DN250		38288080
ILS300		DN300		38288090
ILS300L		DN300		38288100

Options:

Type:	Equipment	Item number:
ILS2 chlorine sensors	Specially adapted sensors for the ILS flow cell.	see ILS2 sensors
ILS2 chlorine dioxide sensors		

Subject to technical modifications and printing errors. Images may vary slightly from actual product.
25.10.2019

2.4.5.

DOSASens Flow cell PA

Assembly for holding pH and redox electrodes.



Product description:

- Assembly for holding pH and redox electrodes with PG 13.5 connectionthread
- For electrodes up to 120 mm in length
- Easy in-process insertion and retraction of the electrodes
- Cleaning and calibration of the electrodes with zero downtime
- Especially stable, durable fitting made of polypropylene (PP) or polyvinylidene fluoride (PVDF)
- Operating temperature range:
 - Up to 70 °C, PP
 - Up to 120 °C, PVDF
- Operating pressure:
 - Up to 5 bar at 50 °C, PP
 - Up to 5 bar at 100 °C, PVDF
- Connection thread size: ¾" thread
- Ø 40 mm
- h1 = 80 mm, h2 = 43 mm

2

Areas of application:

- Installation in pipes or tanks.

Scope of supply:

- DOSASens PA flow cell

Ordering data:

Type:	Item number:
PA, made of PP	3464060
PA, made of PVDF	3464070

2.4.6. DOSASens Flow cell DFA

Noryl flow cell for attaching electrodes.



Product description:

- High quality flow cell made of transparent Noryl plastic
- Flow cell cup easily removable for cleaning and maintenance
- Flow cell head made of polypropylene (PP)
- Optimised flow to the electrodes
- With equipotential bonding pin
- Max. operating pressure: 5 bar
- Operating temperature range: 50 °C

Areas of application:

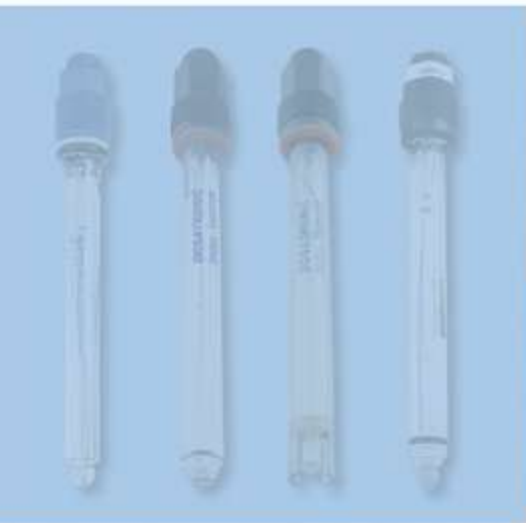
- Holding of electrodes, e.g. pH, redox (ORP), oxygen, temperature.

Scope of supply:

- DOSASens DFA flow cell with mounting bracket, ball valve for flow control, hose connections 1/2", 4 m PE hose 6 x 8 mm

Ordering data:

Type:	Equipment: electrodes	Flow monitoring:	Connections: Ø, mm	Item number:
DFA-0-PP-1-2	2	-	Clamping connection 12 mm	34118000
DFA-0-PP-1-3	3	-		34118005
DFA-0-PP-2-2	2	-	PG13.5	34118010
DFA-0-PP-2-3	3	-		34118015



2. Sensors

2.5. Filter technology

2.5.1.

DOSASens Filter VF/80 5"



Noryl water filter.

Product description:

- Material:
 - Housing head: polypropylene (PP)
 - Housing cup: Noryl, transparent
- Flow cell cup easily removable for cleaning and maintenance
- Operating pressure: max. 6 bar
- Operating temperature range: 45 °C (max.)

2

Areas of application:

- Pre-filter.

Scope of supply:

- **DOSASens VF/80 5"** water filter, pre-filter, housing with mounting bracket, flow control, valve, 2 hose connections, 1/2" x 6/8 mm, and 4 m PE hose

Ordering data:

Type:	Micron rating:	Material:	Cartridge:	Connection:	Mounting:	Item number:
	μ	cartridge	washable	mm		
VF/80 5"	80	PET	+	hose 6 x 8	Wall device	90118500

Spare parts:

Type:	Micron rating:	Material:	Cartridge:	Item number:
	μ	cartridge	washable	
Replacement cartridges 80	80	PET	+	90118506

Subject to technical modifications and printing errors. Images may vary slightly from actual product.
11.07.2017



3. Dosing technology

Table of contents

3. Dosing technology 163

3.1.	Solenoid diaphragm dosing pumps	167
3.1.1.	DOSA Tec Solenoid diaphragm dosing pump HCO	169
3.1.2.	DOSA Tec Solenoid diaphragm dosing pump HCL	170
3.1.3.	DOSA Tec Solenoid diaphragm dosing pump HIS	171
3.1.4.	DOSA Tec Solenoid diaphragm dosing pump HTS	173
3.1.5.	DOSA Tec Solenoid diaphragm dosing pump HPO	174
3.1.6.	DOSA Tec Solenoid diaphragm dosing pump LCO	175
3.1.7.	DOSA Tec Solenoid diaphragm dosing pump LCL	177
3.1.8.	DOSA Tec Solenoid diaphragm dosing pump LAS	179
3.1.9.	DOSA Tec Solenoid diaphragm dosing pump LMS	181
3.1.10.	DOSA Tec Solenoid diaphragm dosing pump LEN	183
3.1.11.	DOSA Tec Solenoid diaphragm dosing pump LPO	185
3.1.12.	DOSA Tec Spare parts for solenoid diaphragm pumps L and H	187
3.1.13.	DOSA Tec Solenoid diaphragm dosing pump PCO	189
3.1.14.	DOSA Tec Solenoid-driven diaphragm dosing pump AMS CO	193
3.1.15.	DOSA Tec Solenoid-driven diaphragm dosing pump AMS CL	195
3.1.16.	DOSA Tec Solenoid-driven diaphragm dosing pump AMS Plus	197
3.1.17.	DOSA Tec Solenoid-driven diaphragm dosing pump AMS CO	199
3.1.18.	DOSA Tec Solenoid-driven diaphragm dosing pump AMSA CL	201
3.1.19.	DOSA Tec Solenoid-driven diaphragm dosing pump AMSA Plus	203
3.1.20.	DOSA Tec Solenoid-driven diaphragm dosing pump AMS Digital MF	205
3.1.21.	DOSA Tec Solenoid-driven diaphragm dosing pump AMS Digital PH	207
3.1.22.	DOSA Tec Solenoid-driven diaphragm dosing pump AMS Digital RH	209
3.1.23.	DOSA Tec Solenoid-driven diaphragm dosing pump AMSA Digital MF	211
3.1.24.	DOSA Tec Solenoid-driven diaphragm dosing pump AMSA Digital PH	213
3.1.25.	DOSA Tec Solenoid-driven diaphragm dosing pump AMSA Digital RH	215
3.1.26.	DOSA Tec Solenoid-driven diaphragm dosing pump AMS Polymer CO	217
3.1.27.	DOSA Tec Solenoid-driven diaphragm dosing pump AMS Polymer Plus	218
3.1.28.	DOSA Tec Solenoid-driven diaphragm dosing pump AMS Polymer MF	219
3.1.29.	DOSA Tec Solenoid-driven diaphragm dosing pump AMS Digital Polymer PH	220
3.1.30.	DOSA Tec Solenoid-driven diaphragm dosing pump AMS Digital Polymer RH	221
3.1.31.	DOSA Tec Solenoid-driven diaphragm dosing pump K CO	223
3.1.32.	DOSA Tec Solenoid-driven diaphragm dosing pump K CL	225
3.1.33.	DOSA Tec Solenoid-driven diaphragm dosing pump K Plus	227
3.1.34.	DOSA Tec Solenoid-driven diaphragm dosing pump KA CO	229
3.1.35.	DOSA Tec Solenoid-driven diaphragm dosing pump KA CL	231
3.1.36.	DOSA Tec Solenoid-driven diaphragm dosing pump KA Plus	233
3.1.37.	DOSA Tec Solenoid-driven diaphragm dosing pump KMS MF	235
3.1.38.	DOSA Tec Solenoid-driven diaphragm dosing pump KMS PH	237
3.1.39.	DOSA Tec Solenoid-driven diaphragm dosing pump KMS RH	239
3.1.40.	DOSA Tec Solenoid-driven diaphragm dosing pump KMSA MF	241
3.1.41.	DOSA Tec Solenoid-driven diaphragm dosing pump KMSA PH	243
3.1.42.	DOSA Tec Solenoid-driven diaphragm dosing pump KMSA RH	245
3.1.43.	DOSA Tec Solenoid-driven diaphragm dosing pump V CO	247
3.1.44.	DOSA Tec Solenoid-driven diaphragm dosing pump V CL	249
3.1.45.	DOSA Tec Solenoid-driven diaphragm dosing pump VA CO	251
3.1.46.	DOSA Tec Solenoid-driven diaphragm dosing pump VA CL	253
3.1.47.	DOSA Tec Solenoid-driven diaphragm dosing pump VMS MF	255
3.1.48.	DOSA Tec Solenoid-driven diaphragm dosing pump VMS PO	257
3.1.49.	DOSA Tec Solenoid-driven diaphragm dosing pump VMSA MF	259
3.1.50.	DOSA Tec Solenoid-driven diaphragm dosing pump VMSA PO	261
3.1.51.	DOSA Tec Solenoid-driven diaphragm dosing pump T CO	263
3.1.52.	DOSA Tec Solenoid-driven diaphragm dosing pump T CL	265
3.1.53.	DOSA Tec Solenoid-driven diaphragm dosing pump TA CO	267
3.1.54.	DOSA Tec Solenoid-driven diaphragm dosing pump TA CL	269
3.1.55.	DOSA Tec Solenoid-driven diaphragm dosing pump TMS MF	271
3.1.56.	DOSA Tec Solenoid-driven diaphragm dosing pump TMS PH	273

Subject to technical modifications and printing errors. Images may vary slightly from actual product
01.05.2023

Table of contents



3.1.57.	DOSA Tec Solenoid-driven diaphragm dosing pump TMS RH	275
3.1.58.	DOSA Tec Solenoid-driven diaphragm dosing pump TMSA MF	277
3.1.59.	DOSA Tec Solenoid-driven diaphragm dosing pump TMSA PH	279
3.1.60.	DOSA Tec Solenoid-driven diaphragm dosing pump TMSA RH	281
3.2.	Peristaltic Pumps	283
3.2.1.	DOSA Tec Peristaltic pump DOSA Flex	285
3.2.2.	DOSA Tec Peristaltic pump DOSA Flex pH-Rx	286
3.3.	Motorised diaphragm dosing pumps	287
3.3.1.	DOSA Tec PRISMA stepper motor-driven diaphragm dosing pump	289
3.4.	Motorised diaphragm dosing pumps	293
3.4.1.	DOSA Tec Motorised diaphragm dosing pump FM-50	295
3.4.2.	DOSA Tec Motorised diaphragm dosing pump D-50	297
3.4.3.	DOSA Tec Motorised diaphragm dosing pump D-100	299
3.4.4.	DOSA Tec Motorised diaphragm dosing pump D-101	303
3.4.5.	DOSA Tec Motorised diaphragm dosing pump D-121	307
3.4.6.	DOSA Tec Motorised diaphragm dosing pump D-122	309
3.5.	Proportional doser unit	315
3.5.1.	DOSA Tec Proportional doser D07	317
3.5.2.	DOSA Tec Proportional doser D9	319
3.5.3.	DOSA Tec Proportional doser D25	321
3.5.4.	DOSA Tec Proportional doser D3	325
3.5.5.	DOSA Tec Proportional doser D3T	329
3.5.6.	DOSA Tec Proportional doser D45	331
3.6.	Metering stations	335
3.6.1.	DOSA Tec Dosing stations	337
3.6.2.	DOSADes Mobile-R Mobile disinfection and dosing system	339
3.6.3.	DOSADes Mobile-W mobile disinfection and dosing system	341
3.7.	Accessoirs for Metring pumps	343
3.7.1.	DOSA Tec Injection valve IVN	345
3.7.2.	DOSA Tec Injection lance LINI	347
3.7.3.	DOSA Tec Foot valve FV Axial optionally available with a level switch	348
3.7.4.	DOSA Tec Suction lance SL 4	349
3.7.5.	DOSA Tec Suction lance SL 5	353
3.7.6.	DOSA Tec Multifunction valve MF	357
3.7.7.	DOSA Tec Multifunction valve MF-I	358
3.7.8.	DOSA Tec Flow sensor DFS	359
3.7.9.	DOSA Tec Pulsation damper SOIM	360
3.7.10.	DOSA Tec Dosing tank DB A	361
3.7.11.	DOSA Tec Dosing Tank DB C	363
3.7.12.	DOSA Tec Dosing tank DB E	365
3.7.13.	DOSA Tec Safety bunds O	367
3.7.14.	DOSA Tec Accessories for dosing tanks DB	368
3.7.15.	DOSA Tec Standard agitator Mix	369
3.8.	Water meter	371
3.8.1.	DOSA Tec Impeller flow meter CT, CA	373
3.8.2.	DOSA Tec Impeller flow meter KWKT/KWHT	375
3.8.3.	DOSA Tec Woltmann contact water meter WW	377
3.9.	Static line mixer	379
3.9.1.	DOSA Tec Static line mixer SRMK made of plastic	381
3.9.2.	DOSA Tec Static line mixer SRME made of stainless steel	383
3.9.3.	DOSA Tec Static line mixer FSHM	384

Legal notice

DOSATRONIC GmbH

Zuppingerstraße 8

D-88213 Ravensburg

☎: +49 7 51 / 2 95 12 - 0

📠: +49 7 51 / 2 95 12 - 190

✉: info@dosatronic.de

www.dosatronic.de

Registered office: Ravensburg HRB 552723

USt-IdNr.: DE812973283

Valid from: **May 2022**

Rights

DOSATRONIC GmbH All rights reserved.

All trademarks referred to or depicted in this document are the property of their respective owners.

Concept, design, implementation, print processing:

DOSATRONIC GmbH, technical editing

Photos: Adobe Stock; DOSATRONIC GmbH, technical editing.

Translation from German: DOSATRONIC GmbH Assistant to the management,

SK Technical Translations - Sonja Schuberth-Kreutzer

No information contained in these product catalog may be reproduced or transmitted without the prior written permission of **DOSATRONIC GmbH**.

Note

We are committed to continuously improving our products. The information provided in these Operating Instructions may occasionally be at variance with the product itself if technological are made or in order to comply with safety related requirements.



3. Dosing technology

3.1. Solenoid diaphragm dosing pumps

3.1.1.

DOSATec Solenoid diaphragm dosing pump HCO

Solenoid diaphragm dosing pump for the exact dosing of liquid media.



Product description:

- Capacity: 0 – 5 l/h
- Pressure range: 0 – 10 bar
- Pump head material: PVDF
- Seals material: Viton®, EPDM
- Diaphragm material: PTFE
- Power supply: 230 VAC
- Alternative power supply: 24 VAC, 24 VDC
- Manual pump head ventilation valve
- Suitable for wall mounting
- Manual adjustment of stroke frequency
- Available languages: DE, EN, FR

3

Areas of application:

- Dosing of small and medium fluid volumes (water treatment, process, industry, acids, bases, flocculants, precipitants, ...).

Scope of supply:

- DOSATec HCO Solenoid diaphragm dosing pump, accessory set (foot valve, hose, injection valve), connection cable end open

Ordering data:

Type:	Dosing capacity: l/h	Pressure range: bar	Max. stroke frequency: 1/min	Hose connection: mm	Item number:
HCO PVDF/Viton® (Dosing pump HCO with PVDF pump head and Viton® seals.)	1.0	10	160	4 x 6	40230003
	2.0				
	3.0				
	5.0	8			
HCO PVDF/EPDM (Dosing pump HCO with PVDF pump head and EPDM seals.)	1.0	10	160	4 x 6	40230053
	2.0				
	3.0				
	5.0	8			

Viton® is the registered trademark for DuPont Dow Elastomer.

Subject to technical modifications and printing errors. Images may vary slightly from actual product.
08.09.2018

3.1.2.

DOSA*Tec* Solenoid diaphragm dosing pump **HCL**

Solenoid diaphragm dosing pump for the exact dosing of liquid media.



Product description:

- Capacity: 0 – 5 l/h
- Pressure range: 0 – 10 bar
- Pump head material: PVDF
- Seals material: Viton[®], EPDM
- Diaphragm material: PTFE (coated)
- Power supply: 100–230 VAC
- Alternative power supply: 24 VAC, 24 VDC
- Manual pump head ventilation valve
- Input for level control
- Suitable for wall mounting
- Manual adjustment of stroke frequency (0–20 %, 0–100 %)
- Available languages: DE, EN, FR

Areas of application:

- Dosing of small and medium fluid volumes (water treatment, process, industry, acids, bases, flocculants, precipitants, ...).

Scope of supply:

- **DOSA*Tec* HCL** Solenoid diaphragm dosing pump, accessory set (foot valve, hose, injection valve, level switch), connection cable end open

Ordering data:

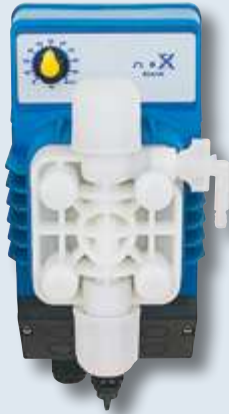
Type:	Dosing capacity: l/h	Pressure range: bar	Max. stroke frequency: 1/min	Hose connection: mm	Item number:		
HCL PVDF/Viton [®] (Dosing pump HCL with PVDF pump head and Viton [®] seals.)	1.0	10	160	4 x 6	40230103		
	2.0						
	3.0						
	5.0						
HCL PVDF/EPDM (Dosing pump HCL with PVDF pump head and EPDM seals.)	1.0	10			160	4 x 6	40230153
	2.0						
	3.0						
	5.0						

Viton[®] is the registered trademark for DuPont Dow Elastomer.

3.1.3.

DOSA*Tec* Solenoid diaphragm dosing pump **HIS**

Solenoid diaphragm dosing pump for the exact dosing of liquid media.



Product description:

- Capacity: 0–5 l/h,
- Pressure range: 0–10 bar
- Pump head material: PVDF
- Seals material: Viton[®], EPDM
- Diaphragm material: PTFE
- Power supply: 100–230 VAC
- Alternative power supply: 24 VAC, 24 VDC
- Manual pump head ventilation valve
- Input for level control
- Suitable for wall mounting
- Manual adjustment of stroke frequency
- Pulse input
- Mode for pulse multiplication
- Mode for pulse division (4:1)
- Available languages: DE, EN, FR

3

Areas of application:

- Dosing of small and medium fluid volumes (water treatment, process industry, acids, bases, flocculants, precipitants, ...).

Scope of supply:

- **DOSA*Tec* HIS** Solenoid diaphragm dosing pump, accessory set (foot valve, hose, injection valve, level switch), connection cable end open

Ordering data:

Type:	Dosing capacity: l/h	Pressure range: bar	Max. stroke frequency: 1/min	Hose connec- tion: mm	Item number:		
HIS PVDF/Viton [®] (Dosing pump HIS with PVDF pump head and Viton [®] seals.)	1.0	10	160	4 x 6	40230203		
	2.0						
	3.0	8					
	5.0						
HIS PVDF/EPDM (Dosing pump HIS with PVDF pump head and EPDM seals.)	1.0	10			160	4 x 6	40230253
	2.0						
	3.0	8					
	5.0						

Viton[®] is the registered trademark for DuPont Dow Elastomer.

3.1.4.

DOSA*Tec* Solenoid diaphragm dosing pump HTS

Solenoid diaphragm dosing pump for the exact dosing of liquid media.



Product description:

- Capacity: 0–5 l/h
- Pressure range: 0–10 bar
- Pump head material: PVDF
- Seals material: Viton®, EPDM
- Diaphragm material: PTFE (coated)
- Power supply: 100–230 VAC
- Alternative power supply: 24 V AC, 24 VDC
- Manual pump head ventilation
- Suitable for wall mounting
- Manual adjustment of stroke frequency
- Inputs for/to:
 - level control
 - external dosing start
 - pulses
 - 4–20 mA signal
- Modes:
 - pulse multiplication
 - pulse division
 - conversion of analog input signals
 - dosing controlled by an intergrated timer
- Available languages: DE, EN, FR

Areas of application:

- Dosing of small and medium fluid volumes (water treatment, process, industry, acids, bases, flocculants, precipitants, ...).

Scope of supply:

- DOSA*Tec* HTS Solenoid diaphragm dosing pump, accessory set (foot valve, hose, injection valve, level switch), connection cable end open

Ordering data:

Type:	Dosing capacity: l/h	Pressure range: bar	Max. stroke frequency: 1/min	Hose connection: mm	Item number:
HTS PVDF/Viton® (Dosing pump HTS with PVDF pump head and Viton® seals.)	1.0	10	160	4 x 6	40230403
	2.0				
	3.0				
	5.0				
HTS PVDF/EPDM (Dosing pump HTS with PVDF pump head and EPDM seals.)	1.0	10	160	4 x 6	40230453
	2.0				
	3.0				
	5.0				

Viton® is the registered trademark for DuPont Dow Elastomer.

3.1.5.

DOSA*Tec* Solenoid diaphragm dosing pump HPO

Solenoid diaphragm dosing pump for the exact dosing of liquid media.



Product description:

- Capacity: 0–5 l/h
- Pressure range: 0–10 bar
- Pump head material: PVDF
- Seals material: Viton[®], EPDM
- Diaphragm material: PTFE
- Power supply: 100–230 VAC
- Alternative power supply: 24 VAC, 24 VDC
- Manual pump head ventilation valve
- Suitable for wall mounting
- Manual adjustment of stroke frequency
- Inputs:
 - Level control
 - external dosing start
 - direct pH control
 - direct redox (ORP) control
 - temperature sensor Pt100
- Mode for conversion of analog input signals
- Available languages: DE, EN, FR

Areas of application:

- Dosing of small and medium fluid volumes (water treatment, process industry, acids, bases, flocculants, precipitants, ...).

Scope of supply:

- **DOSA*Tec* HPO** Solenoid diaphragm dosing pump, accessory set (foot valve, hose, injection valve, level switch), connection cable end open

Ordering data:

Type:	Dosing capacity: l/h	Pressure range: bar	Max. stroke frequency: 1/min	Hose connection: mm	Item number:
HPO PVDF/Viton[®] (Dosing pump HPO with PVDF pump head and Viton [®] seals.)	1.0	10	160	4 x 6	40230503
	2.0				
	3.0				
	5.0				
HPO PVDF/EPDM (Dosing pump HPO with PVDF pump head and EPDM seals.)	1.0	10	160	4 x 6	40230553
	2.0				
	3.0				
	5.0				

Viton[®] is the registered trademark for DuPont Dow Elastomer.

3.1.6.

DOSA Tec Solenoid diaphragm dosing pump LCO

Solenoid diaphragm dosing pump for exact dosing of liquid media.



Product description:

- Capacity: 0 – 110 l/h
- Pressure range: 0 – 20 bar
- Pump head material: PVDF
- Seals material: Viton®, EPDM
- Diaphragm material: PTFE
- Power supply: 100 – 230 VAC
- Manual pump head ventilation valve
- Suitable for wall mounting
- Manual adjustment of stroke frequency (0 ... 20 %, 0 ... 100 %)

Areas of application:

- Dosing of small and medium fluid volumes (water treatment, process industry, acids, bases, flocculants, prexipitants, ...).

Scope of supply:

- **DOSA Tec LCO** Solenoid diaphragm dosing pump, accessory set (foot valve, hose, injection valve, hose screw connection)

Ordering data:

Type:	Dosing capacity: l/h	Pressure range: bar	Max. stroke frequency: 1/min	Watt:	Hose connection: mm	Item number:
LCO PVDF/Viton® (Dosing pump LCO with PVDF pump head and Viton® seals.)	2.50	20.0	120	14	4 x 6	41230000
	3.00	18.0				
	4.20	14.0				
	3.00	12.0	160	20		41230001
	4.00	10.0				
	5.00	8.0				
	8.00	2.0	300	40	41230004	
	7.00	16.0				
	10.00	10.0				
	14.00	6.0			8 x 12	41230007
	16.00	2.0				
	20.00	5.0				
	32.00	4.0				
	62.00	2.0				
	110.00	0,1				

Viton® is the registered trademark for DuPont Dow Elastomer.

Ordering data:

Type:	Dosing capacity: l/h	Pressure range: bar	Max. stroke frequency: 1/min	Watt:	Hose connection: mm	Item number:
LCO PVDF/EPDM (Dosing pump LCO with PVDF pump head and EPDM seals.)	2.50	20.0	120	14	4 x 6	41230050
	3.00	18.0				
	4.20	14.0				
	3.00	12.0	160	20		41230051
	4.00	10.0				
	5.00	8.0				
	8.00	2.0				
	7.00	16.0	300	40	41230054	
	10.00	10.0				
	14.00	6.0				
	16.00	2.0			8 x 12	41230057
	20.00	5.0				
	32.00	4.0				
	62.00	2.0				
110.00	0.1					

Options:

Type:	Item number:
Self-venting pump head for:	91230005
L 2,50 l/h - 20,00 bar	
L 3,00 l/h - 12,00 bar	
L 10,00 l/h - 10,00 bar	
Reduction of the liter output by approx. 20%	

3.1.7.

DOSA Tec Solenoid diaphragm dosing pump LCL

Solenoid diaphragm dosing pump for exact dosing of liquid media.



Product description:

- Capacity: 0 – 110 l/h
- Pressure range: 0 – 20 bar
- Pump head material: PVDF
- Seals material: Viton®, EPDM
- Diaphragm material: PTFE
- Power supply: 100 – 230 VAC
- Alternative power supply*:
 - 24 VAC, 48 VAC, 240 VDC, 480 VDC
 - (*only für dosing capacity 3,00; 5,00; 8,0 l/h)
- Manual pump head ventilation valve
- Suitable for wall mounting
- Manual adjustment of stroke frequency
0 – 20 %, 0 – 100 %
- Inputs:
 - level alarm

3

Areas of application:

- Dosing of small and medium fluid volumes (water treatment, process industry, acids, bases, flocculants, prexipitants, ...).

Scope of supply:

- **DOSA Tec LCL** Solenoid diaphragm dosing pump, accessory set (foot valve, hose, hose screw connection, injection valve, level switch)

Ordering data:

Type:	Dosing capacity: l/h	Pressure range: bar	Max. stroke frequency: 1/min	Watt:	Hose connection: mm	Item number:	
LCL PVDF/Viton® (Dosing pump LCL with PVDF pump head and Viton® seals.)	2.50	20.0	120	14	4 x 6	41230100	
	3.00	18.0					
	4.20	14.0					
	3.00	12.0	160	20		41230101	
	4.00	10.0					
	5.00	8.0					
	8.00	2.0					
	7.00	16.0	300	40		41230104	
	10.00	10.0					
	14.00	6.0					
	16.00	2.0					
	20.00	5.0				8 x 12	41230107
	32.00	4.0					
	62.00	2.0					
	110.00	0.1					

Viton® is the registered trademark for DuPont Dow Elastomer.

Ordering data:

Type:	Dosing capacity: l/h	Pressure range: bar	Max. stroke frequency: 1/min	Watt:	Hose connection: mm	Item number:
LCL PVDF/EPDM (Dosing pump LCL with PVDF pump head and EPDM seals.)	2.50	20.0	120	14	4 x 6	41230150
	3.00	18.0				
	4.20	14.0				
	3.00	12.0	160	20		41230151
	4.00	10.0				
	5.00	8.0				
	8.00	2.0				
	7.00	16.0	300	40	41230154	
	10.00	10.0				
	14.00	6.0				
	16.00	2.0			8 x 12	41230157
	20.00	5.0				
	32.00	4.0				
	62.00	2.0				
110.00	0.1					

Options:

Type:	Item number:
Self-venting pump head for:	91230005
LCL 2,50 l/h - 20,00 bar	
LCL 3,00 l/h - 12,00 bar	
LCL 10,00 l/h - 10,00 bar	
Reduction of the liter output by approx. 20%	

3.1.8.

DOSA Tec Solenoid diaphragm dosing pump LAS

Solenoid diaphragm dosing pump for exact dosing of liquid media.



Product description:

- Capacity: 0 – 110 l/h,
- Pressure range: 0 – 20 bar
- Pump head material: PVDF
- Seals material: Viton®, EPDM
- Diaphragm material: PTFE
- Power supply: 100 ... 230 VAC
- Alternative power supply*:
 - 24 VAC, 48 VAC, 24 VDC, 480 VDC
 - (*only for dosing capacity 3,00; 5,00; 8,0 l/h)
- Manual pump head ventilation valve
- Suitable for wall mounting
- Manual adjustment of stroke frequency
- Inputs:
 - Level control
 - pulses
 - 4 ... mA signal
- Output:
 - Alarm-Relay output
- Modes:
 - pulse multiplication
 - pulse division (1:1, 4:1; 10:1)
 - conversion of analog input signals

3

Areas of application:

- Dosing of small and medium fluid volumes (water treatment, process industry, acids, bases, flocculants, prexipitants, ...) .

Scope of supply:

- **DOSA Tec LAS** Solenoid diaphragm dosing pump, accessory set (foot valve, hose, injection valve, hose screw connection, level switch)

Ordering data:

Type:	Dosing capacity: l/h	Pressure range: bar	Max. stroke frequency: 1/min	Watt:	Hose connection: mm	Item number:	
LAS PVDF/Viton® (Dosing pump LAS with PVDF pump head and Viton® seals.)	2.50	20.0	120	14	4 x 6	41230200	
	3.00	18.0					
	4.20	14.0					
	3.00	12.0	160	20		41230201	
	4.00	10.0					
	5.00	8.0					
	8.00	2.0					
	7.00	16.0	300	40		41230204	
	10.00	10.0					
	14.00	6.0					
	16.00	2.0				8 x 12	41230207
	20.00	5.0					
	32.00	4.0					
	62.00	2.0					
110.00	0.1						

Viton® is the registered trademark for DuPont Dow Elastomer.

Ordering data:

Type:	Dosing capacity: l/h	Pressure range: bar	Max. stroke frequency: 1/min	Watt:	Hose connection: mm	Item number:
LAS PVDF/EPDM (Dosing pump LAS with PVDF pump head and EPDM seals.)	2.50	20.0	120	14	4 x 6	41230250
	3.00	18.0				
	4.20	14.0				
	3.00	12.0	160	20		41230251
	4.00	10.0				
	5.00	8.0				
	8.00	2.0				
	7.00	16.0	300	40	41230254	
	10.00	10.0				
	14.00	6.0				
	16.00	2.0			8 x 12	41230257
	20.00	5.0				
	32.00	4.0				
	62.00	2.0				
110.00	0.1					

Options:

Type:	Item number:
Self-venting pump head for:	91230005
L 2,50 l/h - 20,00 bar	
L 3,00 l/h - 12,00 bar	
L 10,00 l/h - 10,00 bar	
Reduction of the liter output by approx. 20%	

3.1.9.

DOSA Tec Solenoid diaphragm dosing pump LMS

Solenoid diaphragm dosing pump for exact dosing of liquid media.



Product description:

- Capacity: 0 – 110 l/h
- Pressure range: 0 – 20 bar
- Pump head material: PVDF
- Seals material: Viton®, EPDM
- Diaphragm material: PTFE
- Power supply: 100 – 230 VAC
- Suitable for wall mounting
- Inputs:
 - Level control
 - external dosing start
 - pulses
 - 4 ... mA signal
- Output:
 - Alarm relay output
- Modes:
 - pulse multiplication, pulse division
 - conversion of analog input signals
 - dosing of pre-set quantities
 - timer
- Available languages: DE, EN, FR

3

Areas of application:

- Dosing of small and medium fluid volumes (water treatment, process industry, acids, bases, flocculants, prexipitants, ...).

Scope of supply:

- **DOSA Tec LMS** Solenoid diaphragm dosing pump, accessory set (foot valve, hose, injection valve, hose screw connection, level switch)

Ordering data:

Type:	Dosing capacity: l/h	Pressure range: bar	Max. stroke frequency: 1/min	Watt:	Hose connection: mm	Item number:
LMS PVDF/Viton® (Dosing pump LMS with PVDF pump head and Viton® seals.)	2.50	20.0	120	14	4 x 6	41230300
	3.00	18.0				
	4.20	14.0				
	3.00	12.0	160	20		41230301
	4.00	10.0				
	5.00	8.0				
	8.00	2.0	300	40	41230304	
	7.00	16.0				
	10.00	10.0				
	14.00	6.0				
	16.00	2.0				
	20.00	5.0				
	32.00	4.0	8 x 12	41230307		
	62.00	2.0				
	110.00	0.1				

Viton® is the registered trademark for DuPont Dow Elastomer.

Ordering data:

Type:	Dosing capacity: l/h	Pressure range: bar	Max. stroke frequency: 1/min	Watt:	Hose connection: mm	Item number:
LMS PVDF/EPDM (Dosing pump LMS with PVDF pump head and EPDM seals.)	2.50	20.0	120	14	4 x 6	41230350
	3.00	18.0				
	4.20	14.0				
	3.00	12.0	160	20		41230351
	4.00	10.0				
	5.00	8.0				
	8.00	2.0				
	7.00	16.0	300	40	41230354	
	10.00	10.0				
	14.00	6.0				
	16.00	2.0			8 x 12	41230357
	20.00	5.0				
	32.00	4.0				
	62.00	2.0				
110.00	0.1					

Options:

Type:	Item number:
Self-venting pump head for:	91230005
L 2,50 l/h - 20,00 bar	
L 3,00 l/h - 12,00 bar	
L 10,00 l/h - 10,00 bar	
Reduction of the liter output by approx. 20%	

Solenoid diaphragm dosing pump for exact dosing of liquid media.



Product description:

- Capacity: 0 – 110 l/h
- Pressure range: 0 – 20 bar
- Pump head material: PVDF
- Seals material: Viton®, EPDM
- Diaphragm material: PTFE
- Power supply: 100 – 230 VAC
- Manual pump head ventilation valve
- Suitable for wall mounting
- Inputs:
 - Level control
 - external dosing start
 - flow sensor
- Output:
 - Alarm relay output
- Mode for dosing by integrated timer
- Available languages: DE, EN, FR

3

Areas of application:

- Dosing of small and medium fluid volumes (water treatment, process industry, acids, bases, flocculants, prexipitants, ...).

Scope of supply:

- **DOSA Tec LEN** Solenoid diaphragm dosing pump, accessory set (foot valve, hose, injection valve, hose screw connection, level switch)

Ordering data:

Type:	Dosing capacity: l/h	Pressure range: bar	Max. stroke frequency: 1/min	Watt:	Hose connection: mm	Item number:
LEN PVDF/Viton® (Dosing pump LEN with PVDF pump head and Viton® seals.)	2.50	20.0	120	14	4 x 6	41230400
	3.00	18.0				
	4.20	14.0				
	3.00	12.0	160	20		41230401
	4.00	10.0				
	5.00	8.0				
	8.00	2.0	300	40	41230404	
	7.00	16.0				
	10.00	10.0				
	14.00	6.0				
	16.00	2.0				
	20.00	5.0				
	32.00	4.0	8 x 12	41230407		
	62.00	2.0				
		110.00	0.1			

Viton® is the registered trademark for DuPont Dow Elastomer.

Ordering data:

Type:	Dosing capacity: l/h	Pressure range: bar	Max. stroke frequency: 1/min	Watt:	Hose connection: mm	Item number:
LEN PVDF/EPDM (Dosing pump LEN with PVDF pump head and EPDM seals.)	2.50	20.0	120	14	4 x 6	41230450
	3.00	18.0				
	4.20	14.0				
	3.00	12.0	160	20		41230451
	4.00	10.0				
	5.00	8.0				
	8.00	2.0				
	7.00	16.0	300	40	41230454	
	10.00	10.0				
	14.00	6.0				
	16.00	2.0			8 x 12	41230457
	20.00	5.0				
	32.00	4.0				
	62.00	2.0				
110.00	0.1					

Options:

Type:	Item number:
Self-venting pump head for:	91230005
L 2,50 l/h - 20,00 bar	
L 3,00 l/h - 12,00 bar	
L 10,00 l/h - 10,00 bar	
Reduction of the liter output by approx. 20%	

Solenoid diaphragm dosing pump for exact dosing of liquid media.



Product description:

- Capacity: 0 – 110 l/h
- Pressure range: 0 – 20 bar
- Pump head material: PVDF
- Seals material: Viton®, EPDM
- Diaphragm material: PTFE
- Power supply: 100 – 230 VAC
- Manual pump head ventilation valve
- Suitable for wall mounting
- Inputs:
 - Level control
 - external dosing start
 - direct pH regulation
 - direct redox (ORP) regulation
 - temperature sensor
- Output:
 - 4 – 20 mA signal
 - Alarm relay output
- Available languages: DE, EN, FR

3

Areas of application:

- Dosing of small and medium fluid volumes (water treatment, process industry, acids, bases, flocculants, prexipitants, ...).

Scope of supply:

- **DOSA*Tec* LPO** Solenoid diaphragm dosing pump, accessory set (foot valve, hose, injection valve, hose screw connection, level switch)

Ordering data:

Type:	Dosing capacity: l/h	Pressure range: bar	Max. stroke frequency: 1/min	Watt:	Hose connection: mm	Item number:
LPO PVDF/Viton® (Dosing pump LPO with PVDF pump head and Viton® seals.)	2.50	20.0	120	14	4 x 6	41230500
	3.00	18.0				
	4.20	14.0				
	3.00	12.0	160	20		41230501
	4.00	10.0				
	5.00	8.0				
	8.00	2.0				
	7.00	16.0	300	40	41230504	
	10.00	10.0				
	14.00	6.0				
	16.00	2.0			8 x 12	41230507
	20.00	5.0				
	32.00	4.0				
	62.00	2.0				
110.00	0.1					

Viton® is the registered trademark for DuPont Dow Elastomer.

Subject to technical modifications and printing errors. Images may vary slightly from actual product.
11.03.2021

Ordering data:

Type:	Dosing capacity: l/h	Pressure range: bar	Max. stroke frequency: 1/min	Watt:	Hose connection: mm	Item number:
LPO PVDF/EPDM (Dosing pump LPO with PVDF pump head and EPDM seals.)	2.50	20.0	120	14	4 x 6	41230550
	3.00	18.0				
	4.20	14.0				
	3.00	12.0	160	20		41230551
	4.00	10.0				
	5.00	8.0				
	8.00	2.0				
	7.00	16.0	300	40	41230554	
	10.00	10.0				
	14.00	6.0				
	16.00	2.0			8 x 12	41230557
	20.00	5.0				
	32.00	4.0				
	62.00	2.0				
110.00	0.1					

Options:

Type:	Item number:
Self-venting pump head for:	91230005
L 2,50 l/h - 20,00 bar	
L 3,00 l/h - 12,00 bar	
L 10,00 l/h - 10,00 bar	
Reduction of the liter output by approx. 20%	

3.1.12.

DOSATec Spare parts for solenoid diaphragm pumps L and H

Pump head and membrane for solenoid diaphragm pumps of the L and H series.



Product description:

- Pump heads made of PVDF
- Seals: Viton or EPDM
- Capacity: 0 ... 110 l/h
- Pressure range: 0.1 ... 20 bar
- Seal material: Viton®, EPDM
- Diaphragm material: PTFE

3

Areas of application:

- Spare parts.

Scope of supply:

- **DOSATec Pump head** of your choice/as ordered (incl. seal)
- **DOSATec Membrane** of your choice/as ordered

Ordering data:

Type:	Dosing capacity: l/h	Pressure range: bar	Seal:	Item number:
Pump head L-1 for DOSATec series L	2.5 3.0	20 18	Viton®	90230200
Pump head L-1 for DOSATec series L	2.5 3.0	20 18	EPDM	90230201
Pump head L-2-3 for DOSATec series L	5.0 8.0 10.0 14.0 16.0	8 2 10 6 2	Viton®	90230210
Pump head L-2-3 for DOSATec series L	5.0 8.0 10.0 14.0 16.0	8 2 10 6 2	EPDM	90230211
Pump head L-4 for DOSATec series L	30.0 40.0 55.0 110.0	5 4 2 0.1	Viton®	90230220
Pump head L-4 for DOSATec series L	30.0 40.0 55.0 110.0	5 4 2 0.1	EPDM	90230221
Pump head H-1 for DOSATec series H	1.0 2.0 3.0 5.0	10.0 10.0 10 8	Viton®	90230240
Pump head H-1 for DOSATec series H	1.0 2.0 3.0 5.0	10.0 10.0 10 8	EPDM	90230241
Membrane L-1, L-2-3, H-1	For DOSATec series: L – H			90230300
Membrane L-4	For DOSATec series: L			90230305

Viton® is the registered trademark for DuPont Dow Elastomer.

Subject to technical modifications and printing errors. Images may vary slightly from actual product.
12.01.2017

3.1.13.

DOSA Tec Solenoid diaphragm dosing pump PCO

Solenoid diaphragm dosing pump for exact dosing of liquid media.



Product description:

- Capacity: 0–16.4 l/h
- Pressure range: 0–16 bar
- Pump head material: PP, PVC, PVDF
- Seals material: EPDM, Viton®, PTFE
- Diaphragm material: PTFE - coated
- Power supply: 230 VAC
- Alternative power supply: 115 VAC (US-plug)
- Manual pump-head ventilation
- Suitable for base mounting
- Manual adjustment of stroke frequency
- Manual adjustment of stroke length
- Inputs:
 - Level indicator
 - external dosing enabling (optional with retrofit kit)

3

Areas of application:

- Dosing of small and medium fluid volumes (water treatment, process industry, acids, bases, flocculants, prexipitants, ...).

Scope of supply:

- **DOSA Tec PCO** Solenoid diaphragm dosing pump, accessory set (foot valve, hose, injection valve)

Ordering data:

Type:	Dosing capacity: l/h	Pressure range: bar	Max. stroke frequency: 1/min	Hose connection: mm	Item number:
PCO PP/Viton® (Dosing pump PCO with PP pump head and Viton® seals.)	0.74	10.0	180	4 x 6	4171000
	1.50	16.0	240	4 x 6	4171101
	1.00	10.0	240	4 x 6	4171100
	1.10	16.0	180	4 x 6	4171001
	2.10	10.0	180	4 x 6	4171002
	3.00	10.0	240	4 x 6	4171102
	3.90	7.0	180	4 x 6	4171003
	5.20	7.0	240	4 x 6	4171103
	9.00	3.0	180	5 x 8	4171004
	12.00	3.0	240	5 x 8	4171104
	16.40	1.5	180	5 x 8	4171005
	21.90	1.5	240	5 x 8	4171105

Viton® is the registered trademark for DuPont Dow Elastomer.

Ordering data:

Type:	Dosing capacity: l/h	Pressure range: bar	Max. stroke frequency: 1/min	Hose connection: mm	Item number:
PCO PP/EPDM (Dosing pump PCO with PP pump head and EPDM seals.)	0.74	10.0	180	4 x 6	4171010
	1.00	10.0	240	4 x 6	4171110
	1.10	16.0	180	4 x 6	4171011
	1.50	16.0	240	4 x 6	4171111
	2.10	10.0	180	4 x 6	4171012
	3.00	10.0	240	4 x 6	4171112
	3.90	7.0	180	4 x 6	4171013
	5.20	7.0	240	4 x 6	4171113
	9.00	3.0	180	5 x 8	4171014
	12.00	3.0	240	5 x 8	4171114
	16.4	1.5	180	5 x 8	4171015
	21.90	1.5	240	5 x 8	4171115
PCO PP/PTFE (Dosing pump PCO with PP pump head and PTFE seals.)	0.74	10.0	180	4 x 6	4171050
	1.00	10.0	240	4 x 6	4171150
	1.10	16.0	180	4 x 6	4171051
	1.50	16.0	240	4 x 6	4171151
	2.10	10.0	180	4 x 6	4171052
	3.00	10.0	240	4 x 6	4171152
	3.90	7.0	180	4 x 6	4171053
	5.20	7.0	240	4 x 6	4171153
	9.00	3.0	180	6 x 8	4171054
	12.00	3.0	240	6 x 8	4171154
	16.40	1.5	180	6 x 8	4171055
	21.90	1.5	240	6 x 8	4171155
PCO Acryl/Viton® (Dosing pump PCO with Acryl pump head and Viton® seals.)	0.74	10.0	180	4 x 6	4171020
	1.00	10.0	240	4 x 6	4171120
	1.10	16.0	180	4 x 6	4171021
	1.50	16.0	240	4 x 6	4171121
	2.10	10.0	180	4 x 6	4171022
	3.00	10.0	240	4 x 6	4171122
	3.90	7.0	180	4 x 6	4171023
	5.20	7.0	240	4 x 6	4171123
	9.00	3.0	180	5 x 8	4171024
	12.00	3.0	240	5 x 8	4171124
	16.40	1.5	180	5 x 8	4171025
	21.90	1.5	240	5 x 8	4171125
PCO Acryl/EPDM (Dosing pump PCO with Acryl pump head and EPDM seals.)	0.74	10.0	180	4 x 6	4171030
	1.00	10.0	240	4 x 6	4171130
	1.10	16.0	180	4 x 6	4171031
	1.50	16.0	240	4 x 6	4171131
	2.10	10.0	180	4 x 6	4171032
	3.00	10.0	240	4 x 6	4171132
	3.90	7.0	180	4 x 6	4171033
	5.20	7.0	240	4 x 6	4171133
	9.00	3.0	180	5 x 8	4171034
	12.00	3.0	240	5 x 8	4171134
	16.40	1.5	180	5 x 8	4171035
	21.90	1.5	240	5 x 8	4171135
PCO Acryl/PTFE (Dosing pump PCO with Acryl pump head and PTFE seals.)	0.74	10.0	180	4 x 6	4171060
	1.00	10.0	240	4 x 6	4171160
	1.10	16.0	180	4 x 6	4171061
	1.50	16.0	240	4 x 6	4171161
	2.10	10.0	180	4 x 6	4171062
	3.00	10.0	240	4 x 6	4171162

Viton® is the registered trademark for DuPont Dow Elastomer.

Subject to technical modifications and printing errors. Images may vary slightly from actual product.
10.01.2017

Ordering data:

Type:	Dosing capacity: l/h	Pressure range: bar	Max. stroke frequency: 1/min	Hose connection: mm	Item number:
PCO Acryl/PTFE (Dosing pump PCO with Acryl pump head and PTFE seals.)	3.90	7.0	180	4 x 6	4171063
	5.20	7.0	240	4 x 6	4171163
	9.00	3.0	180	6 x 8	4171064
	12.00	3.0	240	6 x 8	4171164
	16.40	1.5	180	6 x 8	4171065
	21.90	1.5	240	6 x 8	4171165
PCO PVDF/PTFE (Dosing pump PCO with PVDF pump head and PTFE seals.)	0.74	10.0	180	4 x 6	4171040
	1.00	10.0	240	4 x 6	4171140
	1.10	16.0	180	4 x 6	4171041
	1.50	16.0	240	4 x 6	4171141
	2.10	10.0	180	4 x 6	4171042
	3.00	10.0	240	4 x 6	4171142
	3.90	7.0	180	4 x 6	4171043
	5.20	7.0	240	4 x 6	4171143
	9.00	3.0	180	6 x 8	4171044
	12.00	3.0	240	6 x 8	4171144
	16.40	1.5	180	6 x 8	4171045
21.90	1.5	240	6 x 8	4171145	

3

Options:

Type:	Item number:
Retrofit kit for external dosing approval and level switch	9071510
Level Switch 1 piece, with 3 m stranded wire	9071520

3.1.14.

DOSA Tec Solenoid-driven diaphragm dosing pump AMS CO

Solenoid-driven diaphragm dosing pump for precise dosing of liquid media. Version for high viscosity media between 100 and 8000 cPs available for the LPV version.



Product description:

- Capacity: 0 – 60 l/h
- Pressure range: 0 – 25 bar
- Pump head material: PVDF
 - option: PP, acrylic, stainless steel
- Seals material: Viton®, EPDM
- Diaphragm material: PTFE
- Power supply: 230 VAC
- Alternative power supply: 115 VAC
(24 VAC, 12 VDC, 24 VDC available on request)
- Manual pump head priming valve
- Suitable for mounting on a base
- Manual stroke frequency adjustment 0 – 100 %
- Manual stroke length adjustment 0/25 – 100 %
- Pulse scaling 1 : 10
- Available languages: DE, EN, FR

Areas of application:

- Dosage of small and medium fluid volumes (water treatment, process industry, acids, bases, flocculants, precipitants, etc.)

Scope of supply:

- **DOSA Tec** Solenoid-driven diaphragm dosing pump **AMS CO**, accessory set (foot valve, hose, hose thread, injection valve)

Ordering data:

Model:	Dosing capacity: l/h	Pressure range: bar	Max. stroke frequency: 1/min	Hose connection: mm	Item No:
AMS CO PVDF/Viton® (AMS CO dosing pump with PVDF pump head and Viton® seals.)	5	25	120	Suction side: PVC hose from 5/25 l/h up 4 x 6 from 20/7 l/h up 6 x 8 from 40/3 l/h up 8 x 12	3813500
	10	15			3813501
	20	7			3813502
	40	3			3813503
	60	2			3813504
				Discharge side: PDVF hose from 5/25 l/h up 4 x 6 from 20/7 l/h up 6 x 8 from 40/3 l/h up 8 x 12	

Viton® is a registered trademark of DuPont Dow Elastomer.

Ordering data:

Model:	Dosing capacity: l/h	Pressure range: bar	Max. stroke frequency: 1/min	Hose connection: mm	Item No:
AMS CO PVDF/EPDM (AMS CO dosing pump with PVDF pump head and EPDM seals.)	5	25	120	Suction side: PVC hose from 5/25 l/h up 4 x 6 from 20/7 l/h up 6 x 8 from 40/3 l/h up 8 x 12 Discharge side: PDVF hose from 5/25 l/h up 4 x 6 from 20/7 l/h up 6 x 8 from 40/3 l/h up 8 x 12	3813520
	10	15			3813521
	20	7			3813522
	40	3			3813523
	60	2			3813524

3

Options:

Model:	Item No:
PP pump heads L and LA	8713130
PP pump heads M and MA	8613003
PP pump heads N and NA	8613000
PP pump heads S and SA	8613001
PP pump heads T and TA	8613002
Stainless steel AISI 316 pump head Li	8913160
Stainless steel AISI 316 pump head Mi	8913165
Stainless steel AISI 316 pump head Ni	8913170
Stainless steel AISI 316 pump head Si	8913175
Stainless steel AISI 316 pump head Ti	8913180
Acrylic pump head L	8913130
Acrylic pump head M	8913135
Acrylic pump head N	8913140
Acrylic pump head S	8913145
Acrylic pump head T	8913150
PVDF hose for AMS pump series, 5.0 l/h, AMSA 3.2 l/h*	8713050
PVDF hose for AMS pump series, 10.0 l/h, AMSA 6.0 l/h*	8713055
PVDF hose for AMS pump series, 20.0 l/h, AMSA 13.0 l/h*	8713060
PVDF hose for AMS pump series, 40.0 l/h, AMSA 30.0 l/h*	8713065
PVDF hose for AMS pump series, 60.0 l/h, AMSA 38.5 l/h*	8713070
Acrylic pump head LPV L up to 8000 cPs	8913310
Acrylic pump head LPV M up to 8000 cPs	8913311
Acrylic pump head LPV N up to 8000 cPs	8913312
Acrylic pump head LPV S up to 8000 cPs	8913313
**No accessories included.	
**Hose connection for acrylic pump head up to 8000 cPs: discharge side 16 x 22 PVC hose, suction side 8 x 12 PE hose. Foot valve made of stainless steel not included.	
Surcharge for stainless steel dosing head (excl. accessories and hoses). Please specify the required thread (cylindrical, conical or NPT) in your order	

Pump heads:

Model:	Dosing capacity: l/h	Pressure range: bar	Pump head:
AMS CO	5	25	L
	10	15	M
	20	7	N
	40	3	S
	60	2	T

Subject to technical modifications and printing errors. Images may vary slightly from actual product.
20.04.2020

3.1.15.

DOSA Tec Solenoid-driven diaphragm dosing pump AMS CL

Solenoid-driven diaphragm dosing pump for precise dosing of liquid media. Version for high viscosity media between 100 and 8000 cPs available for the LPV version.



Product description:

- Capacity: 0 – 60 l/h
- Pressure range: 0 – 25 bar
- Pump head material: PVDF
 - option: PP, acrylic, stainless steel
- Seals material: Viton®, EPDM
- Diaphragm material: PTFE
- Power supply: 230 VAC
- Alternative power supply: 115 VAC (24 VAC, 12 VDC, 24 VDC available on request)
- Manual pump head priming valve
- Suitable for mounting on a base
- Manual stroke frequency adjustment 0 – 100 %
- Manual stroke length adjustment 0/25 – 100 %
- Pulse scaling 1 : 10
- Level control input
- Available languages: DE, EN, FR

3

Areas of application:

- Dosage of small and medium fluid volumes (water treatment, process industry, acids, bases, flocculants, precipitants, etc.)

Scope of supply:

- **DOSA Tec** Solenoid-driven diaphragm dosing pump **AMS CL**, accessory set (foot valve, hose, hose thread, injection valve, level switch)

Ordering data:

Model:	Dosing capacity: l/h	Pressure range: bar	Max. stroke frequency: 1/min	Hose connection: mm	Item No:
AMS CL PVDF/Viton® (AMS CL dosing pump with PVDF pump head and Viton® seals.)	5	25	120	Suction side: PVC hose from 5/25 l/h up 4 x 6 from 20/7 l/h up 6 x 8 from 40/3 l/h up 8 x 12 Discharge side: PDVF hose from 5/25 l/h up 4 x 6 from 20/7 l/h up 6 x 8 from 40/3 l/h up 8 x 12	3813540
	10	15			3813541
	20	7			3813542
	40	3			3813543
	60	2			3813544

Viton® is a registered trademark of DuPont Dow Elastomer.

Ordering data:

Model:	Dosing capacity: l/h	Pressure range: bar	Max. stroke frequency: 1/min	Hose connection: mm	Item No:
AMS CL PVDF/EPDM (AMS CL dosing pump with PVDF pump head and EPDM seals.)	5	25	120	Suction side: PVC hose from 5/25 l/h up 4 x 6 from 20/7 l/h up 6 x 8 from 40/3 l/h up 8 x 12 Discharge side: PDVF hose from 5/25 l/h up 4 x 6 from 20/7 l/h up 6 x 8 from 40/3 l/h up 8 x 12	3813560
	10	15			3813561
	20	7			3813562
	40	3			3813563
	60	2			3813564

Options:

Model:	Item No:
PP pump heads L and LA	8713130
PP pump heads M and MA	8613003
PP pump heads N and NA	8613000
PP pump heads S and SA	8613001
PP pump heads T and TA	8613002
Stainless steel AISI 316 pump head Li	8913160
Stainless steel AISI 316 pump head Mi	8913165
Stainless steel AISI 316 pump head Ni	8913170
Stainless steel AISI 316 pump head Si	8913175
Stainless steel AISI 316 pump head Ti	8913180
Acrylic pump head L	8913130
Acrylic pump head M	8913135
Acrylic pump head N	8913140
Acrylic pump head S	8913145
Acrylic pump head T	8913150
PVDF hose for AMS pump series, 5.0 l/h, AMSA 3.2 l/h*	8713050
PVDF hose for AMS pump series, 10.0 l/h, AMSA 6.0 l/h*	8713055
PVDF hose for AMS pump series, 20.0 l/h, AMSA 13.0 l/h*	8713060
PVDF hose for AMS pump series, 40.0 l/h, AMSA 30.0 l/h*	8713065
PVDF hose for AMS pump series, 60.0 l/h, AMSA 38.5 l/h*	8713070
Acrylic pump head LPV L up to 8000 cPs	8913310
Acrylic pump head LPV M up to 8000 cPs	8913311
Acrylic pump head LPV N up to 8000 cPs	8913312
Acrylic pump head LPV S up to 8000 cPs	8913313
**No accessories included.	
**Hose connection for acrylic pump head up to 8000 cPs: discharge side 16 x 22 PVC hose, suction side 8 x 12 PE hose. Foot valve made of stainless steel not included.	
Surcharge for stainless steel dosing head (excl. accessories and hoses). Please specify the required thread (cylindrical, conical or NPT) in your order	

Pump heads:

Model:	Dosing capacity: l/h	Pressure range: bar	Pump head:
AMS CL	5	25	L
	10	15	M
	20	7	N
	40	3	S
	60	2	T

3.1.16.

DOSA Tec Solenoid-driven diaphragm dosing pump AMS Plus

Solenoid-driven diaphragm dosing pump for precise dosing of liquid media. Version for high viscosity media between 100 and 8000 cPs available for the LPV version.



Product description:

- Capacity: 0 – 60 l/h,
- pressure range: 0 – 25 bar
- Pump head material: PVDF
 - option: PP, acrylic, stainless steel
- Seals material: Viton®, EPDM
- Diaphragm material: PTFE
- Power supply: 230 VAC
- Alternative power supply: 115 VAC (24 VAC, 12 VDC, 24 VDC available on request)
- Manual pump head priming valve
- Suitable for mounting on a base
- Manual stroke frequency adjustment 0 – 100 %
- Manual stroke length adjustment 0/25 – 100 %
- Inputs:
 - Level control
 - Pulses
 - 4 – 20 mA signal
- Alarm output (option)
- Modes:
 - Pulse multiplication
 - Pulse division
 - Conversion of analogue input signals
- Available languages: DE, EN, FR

3

Areas of application:

- Dosage of small and medium fluid volumes (water treatment, process industry, acids, bases, flocculants, precipitants, etc.)

Scope of supply:

- DOSA Tec Solenoid-driven diaphragm dosing pump **AMS Plus**, accessory set (foot valve, hose, hose thread, injection valve, level switch)

Ordering data:

Model:	Dosing capacity: l/h	Pressure range: bar	Max. stroke frequency: 1/min	Hose connection: mm	Item No:
AMS Plus PVDF/Viton® (AMS Plus dosing pump with PVDF pump head and Viton® seals.)	5	25	120	Suction side: PVC hose from 5/25 l/h up 4 x 6 from 20/7 l/h up 6 x 8 from 40/3 l/h up 8 x 12	3813740
	10	15			3813741
	20	7			3813742
	40	3			3813743
	60	2			3813744
Discharge side: PDVF hose from 5 l 25 up 4 x 6 at 20 l 7 6 x 8 from 40 l 3 up 8 x 10					
Viton® is a registered trademark of DuPont Dow Elastomer.					

Subject to technical modifications and printing errors. Images may vary slightly from actual product.
20.04.2020

Ordering data:

Model:	Dosing capacity: l/h	Pressure range: bar	Max. stroke frequency: 1/min	Hose connection: mm	Item No:
AMS Plus PVDF/EPDM (AMS Plus dosing pump with PVDF pump head and EPDM seals.)	5	25	120	Suction side: PVC hose from 5/25 l/h up 4 x 6 from 20/7 l/h up 6 x 8 from 40/3 l/h up 8 x 12 Discharge side: PVDF hose from 5 l 25 up 4 x 6 at 20 l 7 6 x 8 from 40 l 3 up 8 x 10	3813760
	10	15			3813761
	20	7			3813762
	40	3			3813763
	60	2			3813764

Options:

Model:	Item No:
PP pump heads L and LA	8713130
PP pump heads M and MA	8613003
PP pump heads N and NA	8613000
PP pump heads S and SA	8613001
PP pump heads T and TA	8613002
Stainless steel AISI 316 pump head Li	8913160
Stainless steel AISI 316 pump head Mi	8913165
Stainless steel AISI 316 pump head Ni	8913170
Stainless steel AISI 316 pump head Si	8913175
Stainless steel AISI 316 pump head Ti	8913180
Acrylic pump head L	8913130
Acrylic pump head M	8913135
Acrylic pump head N	8913140
Acrylic pump head S	8913145
Acrylic pump head T	8913150
PVDF hose for AMS pump series, 5.0 l/h, AMSA 3.2 l/h*	8713050
PVDF hose for AMS pump series, 10.0 l/h, AMSA 6.0 l/h*	8713055
PVDF hose for AMS pump series, 20.0 l/h, AMSA 13.0 l/h*	8713060
PVDF hose for AMS pump series, 40.0 l/h, AMSA 30.0 l/h*	8713065
PVDF hose for AMS pump series, 60.0 l/h, AMSA 38.5 l/h*	8713070
Acrylic pump head LPV L up to 8000 cPs	8913310
Acrylic pump head LPV M up to 8000 cPs	8913311
Acrylic pump head LPV N up to 8000 cPs	8913312
Acrylic pump head LPV S up to 8000 cPs	8913313
External level/alarm contact NO/NC	9013522
**No accessories included.	
**Hose connection for acrylic pump head up to 8000 cPs: discharge side 16 x 22 PVC hose, suction side 8 x 12 PE hose. Foot valve made of stainless steel not included.	
Surcharge for stainless steel dosing head (excl. accessories and hoses). Please specify the required thread (cylindrical, conical or NPT) in your order	

Pump heads:

Model:	Dosing capacity: l/h	Pressure range: bar	Pump head:
AMS Plus	5	25	L
	10	15	M
	20	7	N
	40	3	S
	60	2	T

Self-venting solenoid-driven diaphragm dosing pump for precise dosing of liquid media.



Product description:

- Capacity: 0 – 38.5 l/h
- Pressure range: 0 – 25 bar
- Pump head material: PVDF
 - optional: PP, acrylic
- Seals material: Viton®, EPDM
- Diaphragm material: PTFE
- Power supply: 230 VAC
- Alternative power supply: 115 VAC
(24 VAC, 12 VDC, 24 VDC available on request)
- Suitable for mounting on a base
- Manual stroke frequency adjustment 0 – 100 %
- Manual stroke length adjustment 0/25 – 100 %
- Pulse scaling 1 : 10
- Available languages: DE, EN, FR

3

Areas of application:

- Dosage of small and medium fluid volumes (water treatment, process industry, acids, bases, flocculants, precipitants, etc.)

Scope of supply:

- **DOSA Tec** Solenoid-driven diaphragm dosing pump **AMSA CO**, accessory set (foot valve, hose, hose thread, injection valve)

Ordering data:

Model:	Dosing capacity: l/h	Pressure range: bar	Max. stroke frequency: 1/min	Hose connection: mm	Item No:
AMSA CO PVDF/Viton® (AMSA CO dosing pump with PVDF pump head and Viton® seals.)	3.2	25	120	Suction side: PVC hose from 3.2/5 l/h up 4 x 6 at 13.0/7 l/h 6 x 8 from 30/3 l/h up 8 x 12	3913720
	6.0	15			3913721
	13.0	7			3913722
	30.0	3			3913723
	38.5	2			3913724
				Discharge side: PDVF hose from 3.2/5 l/h up 4 x 6 at 13.0/7 l/h 6 x 8 from 30/3 l/h up 8 x 12	

Viton® is a registered trademark of DuPont Dow Elastomer.

Ordering data:

Model:	Dosing capacity: l/h	Pressure range: bar	Max. stroke frequency: 1/min	Hose connection: mm	Item No:
AMSA CO PVDF/EPDM (AMSA CO dosing pump with PVDF pump head and EPDM seals.)	3.2	25	120	Suction side: PVC hose from 3.2/5 l/h up 4 x 6 at 13.0/7 l/h 6 x 8 from 30/3 l/h up 8 x 12 Discharge side: PVDF hose from 3.2/5 l/h up 4 x 6 at 13.0/7 l/h 6 x 8 from 30/3 l/h up 8 x 12	3913730
	6.0	15			3913731
	13.0	7			3913732
	30.0	3			3913733
	38.5	2			3913734

3

Options:

Model:	Item No:
PP pump heads L and LA	8713130
PP pump heads M and MA	8613003
PP pump heads N and NA	8613000
PP pump heads S and SA	8613001
PP pump heads T and TA	8613002
Self-venting acrylic pump head LA	8913107
Self-venting acrylic pump head MA	8913112
Self-venting acrylic pump head NA	8913117
Self-venting acrylic pump head SA	8913122
Self-venting acrylic pump head TA	8913127
PVDF hose for AMS pump series 5.0 l/h , AMSA 3.2 l/h	8713050
PVDF hose for AMS pump series 10.0 l/h , AMSA 6.0 l/h	8713055
PVDF hose for AMS pump series 20.0 l/h , AMSA 13.0 l/h	8713060
PVDF hose for AMS pump series 40.0 l/h , AMSA 30.0 l/h	8713065
PVDF hose for AMS pump series 60.0 l/h , AMSA 38.5 l/h	8713070

Pump heads:

Model:	Dosing capacity: l/h	Pressure range: bar	Pump head:
AMSA CO	3.2	25	LA
	6.0	15	MM
	13.0	7	NA
	30.0	3	SA
	38.5	2	TA

3.1.18.

DOSA Tec Solenoid-driven diaphragm dosing pump AMSA CL

Self-venting solenoid-driven diaphragm dosing pump for precise dosing of liquid media.



Product description:

- Capacity: 0 – 38.5 l/h
- Pressure range: 0 – 25 bar
- Pump head material: PVDF
 - optional: PP, acrylic
- Seals material: Viton®, EPDM
- Diaphragm material: PTFE
- Power supply: 230 VAC
- Alternative power supply: 115 VAC
(24 VAC, 12 VDC, 24 VDC available on request)
- Suitable for mounting on a base
- Manual stroke frequency adjustment 0 – 100 %
- Manual stroke length adjustment 0/25 – 100 %
- Pulse scaling 1 : 10
- Level control input
- Available languages: DE, EN, FR

3

Areas of application:

- Dosage of small and medium fluid volumes (water treatment, process industry, acids, bases, flocculants, precipitants, etc.)

Scope of supply:

- **DOSA Tec** Solenoid-driven diaphragm dosing pump **AMSA CL**, accessory set (foot valve, hose, hose thread, injection valve, level switch)

Ordering data:

Model:	Dosing capacity: l/h	Pressure range: bar	Max. stroke frequency: 1/min	Hose connection: mm	Item No:
AMSA CL PVDF/Viton® (AMSA CL dosing pump with PVDF pump head and Viton® seals.)	3.2	25	120	Suction side: PVC hose from 3.2/25 l/h up 4 x 6 at 13/7 l/h 6 x 8 from 30/3 l/h up 8 x 12	3913740
	6.0	15			3913741
	13.0	7			3913742
	30.0	3			3913743
	38.5	2			3913744
				Discharge side: PDVF hose from 3.2/25 l/h up 4 x 6 at 13/7 l/h 6 x 8 from 30/3 l/h up 8 x 12	

Viton® is a registered trademark of DuPont Dow Elastomer.

Ordering data:

Model:	Dosing capacity: l/h	Pressure range: bar	Max. stroke frequency: 1/min	Hose connection: mm	Item No:
AMSA CL PVDF/EPDM (AMSA CL dosing pump with PVDF pump head and EPDM seals.)	3.2	25	120	Suction side: PVC hose from 3.2/25 l/h up 4 x 6 at 13/7 l/h 6 x 8 from 30/3 l/h up 8 x 12 Discharge side: PVDF hose from 3.2/25 l/h up 4 x 6 at 13/7 l/h 6 x 8 from 30/3 l/h up 8 x 12	3913750
	6.0	15			3913751
	13.0	7			3913752
	30.0	3			3913753
	38.5	2			3913754

3

Options:

Model:	Item No:
PP pump heads L and LA	8713130
PP pump heads M and MA	8613003
PP pump heads N and NA	8613000
PP pump heads S and SA	8613001
PP pump heads T and TA	8613002
Self-venting acrylic pump head LA	8913107
Self-venting acrylic pump head MA	8913112
Self-venting acrylic pump head NA	8913117
Self-venting acrylic pump head SA	8913122
Self-venting acrylic pump head TA	8913127
PVDF hose for AMS pump series 5.0 l/h, AMSA 3.2 l/h	8713050
PVDF hose for AMS pump series 10.0 l/h, AMSA 6.0 l/h	8713055
PVDF hose for AMS pump series 20.0 l/h, AMSA 13.0 l/h	8713060
PVDF hose for AMS pump series 40.0 l/h, AMSA 30.0 l/h	8713065
PVDF hose for AMS pump series 60.0 l/h, AMSA 38.5 l/h	8713070

Pump heads:

Model:	Dosing capacity: l/h	Pressure range: bar	Pump head:
AMSA CL	3.2	25	LA
	6.0	15	MM
	13.0	7	NA
	30.0	3	SA
	38.5	2	TA

Self-venting solenoid-driven diaphragm dosing pump for precise dosing of liquid media.



Product description:

- Capacity: 0 – 38.5 l/h,
- pressure range: 0 – 25 bar
- Pump head material: PVDF
 - optional: PP, acrylic
- Seals material: Viton®, EPDM
- Diaphragm material: PTFE
- Power supply: 230 VAC
- Alternative power supply: 115 VAC
(24 VAC, 12 VDC, 24 VDC available on request)
- Suitable for mounting on a base
- Manual stroke frequency adjustment 0 – 100 %
- Manual stroke length adjustment 0/25 – 100 %
- Inputs:
 - Level control
 - Pulses
 - 4 – 20 mA signal
- Alarm output (option)
- Modes:
 - Pulse division
 - Dosing of pre-set volumes
 - Conversion of analogue input signals
- Available languages: DE, EN, FR

3

Areas of application:

- Dosage of small and medium fluid volumes (water treatment, process industry, acids, bases, flocculants, precipitants, etc.)

Scope of supply:

- DOSA Tec Solenoid-driven diaphragm dosing pump **AMSA Plus**, accessory set (foot valve, hose, hose thread, injection valve, level switch)

Ordering data:

Model:	Dosing capacity: l/h	Pressure range: bar	Max. stroke frequency: 1/min	Hose connection: mm	Item No:
AMSA Plus PVDF/Viton® (AMSA Plus dosing pump with PVDF pump head and Viton® seals.)	3.2	25	120	Suction side: PVC hose from 3.2/25 l/h up 4 x 6 at 13/7 l/h 6 x 8 from 30/3 l/h up 8 x 12	3913840
	6.0	15			3913841
	13.0	7			3913842
	30.0	3			3913843
	38.5	2			3913844
<small>Viton® is a registered trademark of DuPont Dow Elastomer.</small>					

Subject to technical modifications and printing errors. Images may vary slightly from actual product.
20.04.2020

Ordering data:

Model:	Dosing capacity: l/h	Pressure range: bar	Max. stroke frequency: 1/min	Hose connection: mm	Item No:
AMSA Plus PVDF/EPDM (AMSA Plus dosing pump with PVDF pump head and EPDM seals.)	3.2	25	120	Suction side: PVC hose from 3.2/25 l/h up 4 x 6 at 13/7 l/h 6 x 8 from 30/3 l/h up 8 x 12 Discharge side: PVDF hose from 3.2/25 l/h up 4 x 6 at 13/7 l/h 6 x 8 from 30/3 l/h up 8 x 12	3913850
	6.0	15			3913851
	13.0	7			3913852
	30.0	3			3913853
	38.5	2			3913854

3

Options:

Model:	Item No:
PP pump heads L and LA	8713130
PP pump heads M and MA	8613003
PP pump heads N and NA	8613000
PP pump heads S and SA	8613001
PP pump heads T and TA	8613002
Self-venting acrylic pump head LA	8913107
Self-venting acrylic pump head MA	8913112
Self-venting acrylic pump head NA	8913117
Self-venting acrylic pump head SA	8913122
Self-venting acrylic pump head TA	8913127
PVDF hose for AMS pump series 5.0 l/h , AMSA 3.2 l/h	8713050
PVDF hose for AMS pump series 10.0 l/h , AMSA 6.0 l/h	8713055
PVDF hose for AMS pump series 20.0 l/h , AMSA 13.0 l/h	8713060
PVDF hose for AMS pump series 40.0 l/h , AMSA 30.0 l/h	8713065
PVDF hose for AMS pump series 60.0 l/h , AMSA 38.5 l/h	8713070
External level/alarm contact NO/NC	9013522

Pump heads:

Model:	Dosing capacity: l/h	Pressure range: bar	Pump head:
AMSA Plus	3.2	25	LA
	6.0	15	MM
	13.0	7	NA
	30.0	3	SA
	38.5	2	TA

Solenoid-driven diaphragm dosing pump for precise dosing of liquid media. Version for high viscosity media between 100 and 8000 cPs available for the LPV version.



Product description:

- Capacity: 0 – 60 l/h
- Pressure range: 0 – 25 bar
- Pump head material: PVDF
 - optional: PP, acrylic, stainless steel
- Seals material: Viton®, EPDM
- Diaphragm material: PTFE
- Power supply: 230 VAC
- Alternative power supply: 115 VAC
(24 VAC, 12 VDC, 24 VDC available on request)
- Manual pump head priming valve
- Suitable for mounting on a base
- Manual stroke length adjustment 0/25 – 100 %
- Inputs:
 - Level control
 - External dosing start
 - Pulses
 - Flow rate monitoring
 - 4 – 20 mA signal
 - 0 – 10 V signal
- Alarm output
- Modes:
 - Pulse multiplication
 - Pulse division
 - Dosing of pre-set volumes
 - Conversion of analogue input signals
- Available languages: DE, EN, FR

3

Areas of application:

- Dosage of small and medium fluid volumes (water treatment, process industry, acids, bases, flocculants, precipitants, etc.)

Scope of supply:

- **DOSA Tec** Solenoid-driven diaphragm dosing pump **AMS Digital MF**, accessory set (foot valve, hose, hose thread, injection valve, level switch)

Ordering data:

Model:	Dosing capacity: l/h	Pressure range: bar	Max. stroke frequency: 1/min	Hose connection: mm	Item No:
AMS Digital MF PVDF/Viton® (AMS Digital MF dosing pump with PVDF pump head and Viton® seals.)	5	25	120	Suction side: PVC hose from 5/25 l/h up 4 x 6 from 20/7 l/h up 6 x 8 from 40/3 l/h up 8 x 12 Discharge side: PDVF hose from 5/25 l/h up 4 x 6 from 20/7 l/h up 6 x 8 from 40/3 l/h up 8 x 12	3813780
	10	15			3813781
	20	7			3813782
	40	3			3813783
	60	2			3813784

Viton® is a registered trademark of DuPont Dow Elastomer.

Ordering data:

Model:	Dosing capacity: l/h	Pressure range: bar	Max. stroke frequency: 1/min	Hose connection: mm	Item No:
AMS Digital MF PVDF/EPDM (AMS Digital MF dosing pump with PVDF pump head and EPDM seals.)	5	25	120	Suction side: PVC hose from 5/25 l/h up 4 x 6 from 20/7 l/h up 6 x 8 from 40/3 l/h up 8 x 12 Discharge side: PDVF hose from 5/25 l/h up 4 x 6 from 20/7 l/h up 6 x 8 from 40/3 l/h up 8 x 12	3813800
	10	15			3813801
	20	7			3813802
	40	3			3813803
	60	2			3813804

Options:

Model:	Item No:
PP pump heads L and LA	8713130
PP pump heads M and MA	8613003
PP pump heads N and NA	8613000
PP pump heads S and SA	8613001
PP pump heads T and TA	8613002
Stainless steel AISI 316 pump head Li	8913160
Stainless steel AISI 316 pump head Mi	8913165
Stainless steel AISI 316 pump head Ni	8913170
Stainless steel AISI 316 pump head Si	8913175
Stainless steel AISI 316 pump head Ti	8913180
Acrylic pump head L	8913130
Acrylic pump head M	8913135
Acrylic pump head N	8913140
Acrylic pump head S	8913145
Acrylic pump head T	8913150
PVDF hose for AMS pump series, 5.0 l/h, AMSA 3.2 l/h*	8713050
PVDF hose for AMS pump series, 10.0 l/h, AMSA 6.0 l/h*	8713055
PVDF hose for AMS pump series, 20.0 l/h, AMSA 13.0 l/h*	8713060
PVDF hose for AMS pump series, 40.0 l/h, AMSA 30.0 l/h*	8713065
PVDF hose for AMS pump series, 60.0 l/h, AMSA 38.5 l/h*	8713070
Acrylic pump head LPV L up to 8000 cPs	8913310
Acrylic pump head LPV M up to 8000 cPs	8913311
Acrylic pump head LPV N up to 8000 cPs	8913312
Acrylic pump head LPV S up to 8000 cPs	8913313
**No accessories included.	
**Hose connection for acrylic pump head up to 8000 cPs: discharge side 16 x 22 PVC hose, suction side 8 x 12 PE hose. Foot valve made of stainless steel not included.	
Surcharge for stainless steel dosing head (excl. accessories and hoses). Please specify the required thread (cylindrical, conical or NPT) in your order	

Pump heads:

Model:	Dosing capacity: l/h	Pressure range: bar	Pump head:
AMS Digital MF	5	25	L
	10	15	M
	20	7	N
	40	3	S
	60	2	T

Solenoid-driven diaphragm dosing pump for precise dosing of liquid media. Version for high viscosity media between 100 and 8000 cPs available for the LPV version.



Product description:

- Capacity: 0 – 60 l/h
- Pressure range: 0 – 25 bar
- Pump head material: PVDF
 - optional: PP, acrylic, stainless steel
- Seals material: Viton®, EPDM
- Diaphragm material: PTFE
- Power supply: 230 VAC
- Alternative power supply: 115 VAC (24 VAC, 12 VDC, 24 VDC available on request)
- Manual pump head priming valve
- Suitable for mounting on a base
- Manual stroke length adjustment 0/25 – 100 %
- Inputs:
 - Level control
 - External dosing start
 - Direct pH control, pH 0 – 14
- Alarm output (option)
- Conversion of analogue input signals
- Available languages: DE, EN, FR

3

Areas of application:

- Dosage of small and medium fluid volumes (water treatment, process industry, acids, bases, flocculants, precipitants, etc.)

Scope of supply:

- **DOSA Tec** Solenoid-driven diaphragm dosing pump **AMS Digital PH**, accessory set (foot valve, hose, hose thread, injection valve, level switch)

Ordering data:

Model:	Dosing capacity: l/h	Pressure range: bar	Max. stroke frequency: 1/min	Hose connection: mm	Item No:
AMS Digital PH PVDF/Viton® (AMS Digital PH dosing pump with PVDF pump head and Viton® seals.)	5	25	120	Suction side: PVC hose from 5/25 l/h up 4 x 6 from 20/7 l/h up 6 x 8 from 40/3 l/h up 8 x 12 Discharge side: PDVF hose from 5/25 l/h up 4 x 6 from 20/7 l/h up 6 x 8 from 40/3 l/h up 8 x 12	3813820
	10	15			3813821
	20	7			3813822
	40	3			3813823
	60	2			3813824

Viton® is a registered trademark of DuPont Dow Elastomer.

Ordering data:

Model:	Dosing capacity: l/h	Pressure range: bar	Max. stroke frequency: 1/min	Hose connection: mm	Item No:
AMS Digital PH PVDF/EPDM (AMS Digital PH dosing pump with PVDF pump head and EPDM seals.)	5	25	120	Suction side: PVC hose from 5/25 l/h up 4 x 6 from 20/7 l/h up 6 x 8 from 40/3 l/h up 8 x 12 Discharge side: PDVF hose from 5/25 l/h up 4 x 6 from 20/7 l/h up 6 x 8 from 40/3 l/h up 8 x 12	3813840
	10	15			3813841
	20	7			3813842
	40	3			3813843
	60	2			3813844

Options:

Model:	Item No:
PP pump heads L and LA	8713130
PP pump heads M and MA	8613003
PP pump heads N and NA	8613000
PP pump heads S and SA	8613001
PP pump heads T and TA	8613002
Stainless steel AISI 316 pump head Li	8913160
Stainless steel AISI 316 pump head Mi	8913165
Stainless steel AISI 316 pump head Ni	8913170
Stainless steel AISI 316 pump head Si	8913175
Stainless steel AISI 316 pump head Ti	8913180
Acrylic pump head L	8913130
Acrylic pump head M	8913135
Acrylic pump head N	8913140
Acrylic pump head S	8913145
Acrylic pump head T	8913150
PVDF hose for AMS pump series, 5.0 l/h, AMSA 3.2 l/h*	8713050
PVDF hose for AMS pump series, 10.0 l/h, AMSA 6.0 l/h*	8713055
PVDF hose for AMS pump series, 20.0 l/h, AMSA 13.0 l/h*	8713060
PVDF hose for AMS pump series, 40.0 l/h, AMSA 30.0 l/h*	8713065
PVDF hose for AMS pump series, 60.0 l/h, AMSA 38.5 l/h*	8713070
Acrylic pump head LPV L up to 8000 cPs	8913310
Acrylic pump head LPV M up to 8000 cPs	8913311
Acrylic pump head LPV N up to 8000 cPs	8913312
Acrylic pump head LPV S up to 8000 cPs	8913313
External level/alarm contact NO/NC	9013522
**No accessories included.	
**Hose connection for acrylic pump head up to 8000 cPs: discharge side 16 x 22 PVC hose, suction side 8 x 12 PE hose. Foot valve made of stainless steel not included.	
Surcharge for stainless steel dosing head (excl. accessories and hoses). Please specify the required thread (cylindrical, conical or NPT) in your order	

Pump heads:

Model:	Dosing capacity: l/h	Pressure range: bar	Pump head:
AMS Digital PH	5	25	L
	10	15	M
	20	7	N
	40	3	S
	60	2	T

3.1.22.

DOSA Tec Solenoid-driven diaphragm dosing pump AMS Digital RH

Solenoid-driven diaphragm dosing pump for precise dosing of liquid media. Version for high viscosity media between 100 and 8000 cPs available for the LPV version.



Product description:

- Capacity: 0 – 60 l/h
- Pressure range: 0 – 25 bar
- Pump head material: PVDF
 - optional: PP, acrylic, stainless steel
- Seals material: Viton®, EPDM
- Diaphragm material: PTFE
- Power supply: 230 VAC
- Alternative power supply: 115 VAC (24 VAC, 12 VDC, 24 VDC available on request)
- Manual pump head priming valve
- Suitable for mounting on a base
- Manual stroke length adjustment 0/25 – 100 %
- Inputs:
 - Level control
 - External dosing start
 - Direct redox control
- Alarm output (option)
- Mode: proportional to the measured value, or On/Off
- Available languages: DE, EN, FR

Areas of application:

- Dosage of small and medium fluid volumes (water treatment, process industry, acids, bases, flocculants, precipitants, etc.)

Scope of supply:

- DOSA Tec Solenoid-driven diaphragm dosing pump **AMS Digital RH**, accessory set (foot valve, hose, hose thread, injection valve, level switch)

Ordering data:

Model:	Dosing capacity: l/h	Pressure range: bar	Max. stroke frequency: 1/min	Hose connection: mm	Item No:
AMS Digital RH PVDF/Viton® (AMS Digital RH dosing pump with PVDF pump head and Viton® seals.)	5	25	120	Suction side: PVC hose from 5/25 l/h up 4 x 6 from 20/7 l/h up 6 x 8 from 40/3 l/h up 8 x 12 Discharge side: PDVF hose from 5/25 l/h up 4 x 6 from 20/7 l/h up 6 x 8 from 40/3 l/h up 8 x 12	3813860
	10	15			3813861
	20	7			3813862
	40	3			3813863
	60	2			3813864

Viton® is a registered trademark of DuPont Dow Elastomer.

Ordering data:

Model:	Dosing capacity: l/h	Pressure range: bar	Max. stroke frequency: 1/min	Hose connection: mm	Item No:
AMS Digital RH PVDF/EPDM (AMS Digital RH dosing pump with PVDF pump head and EPDM seals.)	5	25	120	Suction side: PVC hose from 5/25 l/h up 4 x 6 from 20/7 l/h up 6 x 8 from 40/3 l/h up 8 x 12 Discharge side: PDVF hose from 5/25 l/h up 4 x 6 from 20/7 l/h up 6 x 8 from 40/3 l/h up 8 x 12	3813880
	10	15			3813881
	20	7			3813882
	40	3			3813883
	60	2			3813884

Options:

Model:	Item No:
PP pump heads L and LA	8713130
PP pump heads M and MA	8613003
PP pump heads N and NA	8613000
PP pump heads S and SA	8613001
PP pump heads T and TA	8613002
Stainless steel AISI 316 pump head Li	8913160
Stainless steel AISI 316 pump head Mi	8913165
Stainless steel AISI 316 pump head Ni	8913170
Stainless steel AISI 316 pump head Si	8913175
Stainless steel AISI 316 pump head Ti	8913180
Acrylic pump head L	8913130
Acrylic pump head M	8913135
Acrylic pump head N	8913140
Acrylic pump head S	8913145
Acrylic pump head T	8913150
PVDF hose for AMS pump series, 5.0 l/h, AMSA 3.2 l/h*	8713050
PVDF hose for AMS pump series, 10.0 l/h, AMSA 6.0 l/h*	8713055
PVDF hose for AMS pump series, 20.0 l/h, AMSA 13.0 l/h*	8713060
PVDF hose for AMS pump series, 40.0 l/h, AMSA 30.0 l/h*	8713065
PVDF hose for AMS pump series, 60.0 l/h, AMSA 38.5 l/h*	8713070
Acrylic pump head LPV L up to 8000 cPs	8913310
Acrylic pump head LPV M up to 8000 cPs	8913311
Acrylic pump head LPV N up to 8000 cPs	8913312
Acrylic pump head LPV S up to 8000 cPs	8913313
External level/alarm contact NO/NC	9013522
**No accessories included.	
**Hose connection for acrylic pump head up to 8000 cPs: discharge side 16 x 22 PVC hose, suction side 8 x 12 PE hose. Foot valve made of stainless steel not included.	
Surcharge for stainless steel dosing head (excl. accessories and hoses). Please specify the required thread (cylindrical, conical or NPT) in your order	

Pump heads:

Model:	Dosing capacity: l/h	Pressure range: bar	Pump head:
AMS Digital PH	5	25	L
	10	15	M
	20	7	N
	40	3	S
	60	2	T

3.1.23.

DOSA Tec Solenoid-driven diaphragm dosing pump AMSA Digital MF

Self-venting solenoid-driven diaphragm dosing pump for precise dosing of liquid media.



Product description:

- Capacity: 0 – 38.5 l/h
- Pressure range: 0 – 25 bar
- Pump head material: PVDF
 - optional: PP, acrylic
- Seals material: Viton®, EPDM
- Diaphragm material: PTFE
- Power supply: 230 VAC
- Alternative power supply: 115 VAC
(24 VAC, 12 VDC, 24 VDC available on request)
- Suitable for mounting on a base
- Manual stroke length adjustment 0/25 – 100 %
- Inputs:
 - Level control
 - External dosing start
 - Pulses
 - Flow rate monitoring
 - 4 – 20 mA signal
 - 0 – 10 V signal
- Modes:
 - Pulse multiplication
 - Pulse division
 - Conversion of analogue input signals
 - Dosing of pre-set volumes
- Available languages: DE, EN, FR

3

Areas of application:

- Dosage of small and medium fluid volumes (water treatment, process industry, acids, bases, flocculants, precipitants, etc.)

Scope of supply:

- **DOSA Tec** Solenoid-driven diaphragm dosing pump **AMSA Digital MF**, accessory set (foot valve, hose, hose thread, injection valve, level switch)

Ordering data:

Model:	Dosing capacity: l/h	Pressure range: bar	Max. stroke frequency: 1/min	Hose connection: mm	Item No:
AMSA Digital MF PVDF/Viton® (AMSA Digital MF dosing pump with PVDF pump head and Viton® seals.)	3.2	25	120	Suction side: PVC hose from 3.2/25 l/h up 4 x 6 from 13/7 l/h up 6 x 8 from 30/3 l/h up 8 x 12	3913860
	6.0	15			3913861
	13.0	7			3913862
	30.0	3			3913863
	38.5	2			3913864
				Discharge side: PDVF hose from 3.2/25 l/h up 4 x 6 from 13/7 l/h up 6 x 8 from 30/3 l/h up 8 x 12	

Viton® is a registered trademark of DuPont Dow Elastomer.

Subject to technical modifications and printing errors. Images may vary slightly from actual product.
21.04.2020

Ordering data:

Model:	Dosing capacity: l/h	Pressure range: bar	Max. stroke frequency: 1/min	Hose connection: mm	Item No:
AMSA Digital MF PVDF/EPDM (AMSADigital MF dosing pump with PVDF pump head and EPDM seals.)	3.2	25	120	Suction side: PVC hose from 3.2/25 l/h up 4 x 6 from 13/7 l/h up 6 x 8 from 30/3 l/h up 8 x 12 Discharge side: PDVF hose from 3.2/25 l/h up 4 x 6 from 13/7 l/h up 6 x 8 from 30/3 l/h up 8 x 12	3913870
	6.0	15			3913871
	13.0	7			3913872
	30.0	3			3913873
	38.5	2			3913874

3

Options:

Model:	Item No:
PP pump heads L and LA	8713130
PP pump heads M and MA	8613003
PP pump heads N and NA	8613000
PP pump heads S and SA	8613001
PP pump heads T and TA	8613002
Self-venting acrylic pump head LA	8913107
Self-venting acrylic pump head MA	8913112
Self-venting acrylic pump head NA	8913117
Self-venting acrylic pump head SA	8913122
Self-venting acrylic pump head TA	8913127
PVDF hose for AMS pump series 5.0 l/h, AMSA 3.2 l/h	8713050
PVDF hose for AMS pump series 10.0 l/h, AMSA 6.0 l/h	8713055
PVDF hose for AMS pump series 20.0 l/h, AMSA 13.0 l/h	8713060
PVDF hose for AMS pump series 40.0 l/h, AMSA 30.0 l/h	8713065
PVDF hose for AMS pump series, 60.0 l/h, AMSA 38.5 l/h	8713070

Pump heads:

Model:	Dosing capacity: l/h	Pressure range: bar	Pump head:
AMSA Digital MF	3.2	25	LA
	6.0	15	MM
	13.0	7	NA
	30.0	3	SA
	38.5	2	TA

Self-venting solenoid-driven diaphragm dosing pump for precise dosing of liquid media.



Product description:

- Capacity: 0 – 38.5 l/h
- Pressure range: 0 – 25 bar
- Pump head material: PVDF
 - optional: PP, acrylic
- Seals material: Viton®, EPDM
- Diaphragm material: PTFE
- Power supply: 230 VAC
- Alternative power supply: 115 VAC
(24 VAC, 12 VDC, 24 VDC available on request)
- Suitable for mounting on a base
- Manual stroke length adjustment 0/25 – 100 %
- Inputs:
 - Level control
 - External dosing start
 - Direct pH control, pH 0 – 14
- Alarm output (option)
- Conversion of analogue input signals
- Available languages: DE, EN, FR

3

Areas of application:

- Dosage of small and medium fluid volumes (water treatment, process industry, acids, bases, flocculants, precipitants, etc.)

Scope of supply:

- **DOSA Tec** Solenoid-driven diaphragm dosing pump **AMSA Digital PH**, accessory set (foot valve, hose, hose thread, injection valve, level switch)

Ordering data:

Model:	Dosing capacity: l/h	Pressure range: bar	Max. stroke frequency: 1/min	Hose connection: mm	Item No:
AMSA Digital PH PVDF/Viton® (AMSA Digital PH dosing pump with PVDF pump head and Viton® seals.)	3.2	25	120	Suction side: PVC hose from 3.2/25 l/h up 4 x 6 from 13/7 l/h up 6 x 8 from 30/3 l/h up 8 x 12 Discharge side: PDVF hose from 3.2/25 l/h up 4 x 6 from 13/7 l/h up 6 x 8 from 30/3 l/h up 8 x 12	3913880
	6.0	15			3913881
	13.0	7			3913882
	30.0	3			3913883
	38.5	2			3913884

Viton® is a registered trademark of DuPont Dow Elastomer.

Ordering data:

Model:	Dosing capacity: l/h	Pressure range: bar	Max. stroke frequency: 1/min	Hose connection: mm	Item No:
AMSA Digital PH PVDF/EPDM (AMSADigital PH dosing pump with PVDF pump head and EPDM seals.)	3.2	25	120	Suction side: PVC hose from 3.2/25 l/h up 4 x 6 from 13/7 l/h up 6 x 8 from 30/3 l/h up 8 x 12 Discharge side: PDVF hose from 3.2/25 l/h up 4 x 6 from 13/7 l/h up 6 x 8 from 30/3 l/h up 8 x 12	3913890
	6.0	15			3913891
	13.0	7			3913892
	30.0	3			3913893
	38.5	2			3913894

3

Options:

Model:	Item No:
PP pump heads L and LA	8713130
PP pump heads M and MA	8613003
PP pump heads N and NA	8613000
PP pump heads S and SA	8613001
PP pump heads T and TA	8613002
Self-venting acrylic pump head LA	8913107
Self-venting acrylic pump head MA	8913112
Self-venting acrylic pump head NA	8913117
Self-venting acrylic pump head SA	8913122
Self-venting acrylic pump head TA	8913127
PVDF hose for AMS pump series 5.0 l/h, AMSA 3.2 l/h	8713050
PVDF hose for AMS pump series 10.0 l/h, AMSA 6.0 l/h	8713055
PVDF hose for AMS pump series 20.0 l/h, AMSA 13.0 l/h	8713060
PVDF hose for AMS pump series 40.0 l/h, AMSA 30.0 l/h	8713065
PVDF hose for AMS pump series, 60.0 l/h, AMSA 38.5 l/h	8713070
External level/alarm contact NO /NC	9013522

Pump heads:

Model:	Dosing capacity: l/h	Pressure range: bar	Pump head:
AMSA Digital PH	3.2	25	LA
	6.0	15	MM
	13.0	7	NA
	30.0	3	SA
	38.5	2	TA

3.1.25.

DOSA Tec Solenoid-driven diaphragm dosing pump AMSA Digital RH

Self-venting solenoid-driven diaphragm dosing pump for precise dosing of liquid media.



Product description:

- Capacity: 0 – 38.5 l/h
- Pressure range: 0 – 25 bar
- Pump head material: PVDF
 - optional: PP, acrylic
- Seals material: Viton®, EPDM
- Diaphragm material: PTFE
- Power supply: 230 VAC
- Alternative power supply: 115 VAC
(24 VAC, 12 VDC, 24 VDC available on request)
- Suitable for mounting on a base
- Manual stroke length adjustment 0/25 – 100 %
- Inputs:
 - Level control
 - External dosing start
 - Direct redox control
- Alarm output (option)
- Conversion of analogue input signals
- Available languages: DE, EN, FR

3

Areas of application:

- Dosage of small and medium fluid volumes (water treatment, process industry, acids, bases, flocculants, precipitants, etc.)

Scope of supply:

- **DOSA Tec** Solenoid-driven diaphragm dosing pump **AMSA Digital RH**, accessory set (foot valve, hose, hose thread, injection valve, level switch)

Ordering data:

Model:	Dosing capacity: l/h	Pressure range: bar	Max. stroke frequency: 1/min	Hose connection: mm	Item No:
AMSA Digital RH PVDF/Viton® (AMSA Digital RH dosing pump with PVDF pump head and Viton® seals.)	3.2	25	120	Suction side: PVC hose from 3.2/25 l/h up 4 x 6 from 13/7 l/h up 6 x 8 from 30/3 l/h up 8 x 12 Discharge side: PDVF hose from 3.2/25 l/h up 4 x 6 from 13/7 l/h up 6 x 8 from 30/3 l/h up 8 x 12	3913900
	6.0	15			3913901
	13.0	7			3913902
	30.0	3			3913903
	38.5	2			3913904

Viton® is a registered trademark of DuPont Dow Elastomer.

Ordering data:

Model:	Dosing capacity: l/h	Pressure range: bar	Max. stroke frequency: 1/min	Hose connection: mm	Item No:
AMSA Digital RH PVDF/EPDM (AMSA Digital RH dosing pump with PVDF pump head and EPDM seals.)	3.2	25	120	Suction side: PVC hose from 3.2/25 l/h up 4 x 6 from 13/7 l/h up 6 x 8 from 30/3 l/h up 8 x 12 Discharge side: PDVF hose from 3.2/25 l/h up 4 x 6 from 13/7 l/h up 6 x 8 from 30/3 l/h up 8 x 12	3913910
	6.0	15			3913911
	13.0	7			3913912
	30.0	3			3913913
	38.5	2			3913914

3

Options:

Model:	Item No:
PP pump heads L and LA	8713130
PP pump heads M and MA	8613003
PP pump heads N and NA	8613000
PP pump heads S and SA	8613001
PP pump heads T and TA	8613002
Self-venting acrylic pump head LA	8913107
Self-venting acrylic pump head MA	8913112
Self-venting acrylic pump head NA	8913117
Self-venting acrylic pump head SA	8913122
Self-venting acrylic pump head TA	8913127
PVDF hose for AMS pump series 5.0 l/h, AMSA 3.2 l/h	8713050
PVDF hose for AMS pump series 10.0 l/h, AMSA 6.0 l/h	8713055
PVDF hose for AMS pump series 20.0 l/h, AMSA 13.0 l/h	8713060
PVDF hose for AMS pump series 40.0 l/h, AMSA 30.0 l/h	8713065
PVDF hose for AMS pump series, 60.0 l/h, AMSA 38.5 l/h	8713070
External level/alarm contact NO/NC	9013522

Pump heads:

Model:	Dosing capacity: l/h	Pressure range: bar	Pump head:
AMSA Digital RH	3.2	25	LA
	6.0	15	MM
	13.0	7	NA
	30.0	3	SA
	38.5	2	TA

3.1.26.

DOSA Tec Solenoid-driven diaphragm dosing pump AMS Polymer CO

Solenoid-driven diaphragm dosing pump for high viscosity media up to 50,000 cPs for the capacity range between 0–40 l/h.



Product description:

- Capacity: 0–40 l/h
- Pressure range: 0–8 bar
- Pump head material: PMMA (acrylic)
- Seals material: Viton®
- Diaphragm material: PTFE
- Power supply: 230 VAC
- Alternative power supply: 115 VAC (24 VAC, 12 VDC, 24 VDC available on request)
- Suitable for mounting on a base
- Manual stroke length adjustment 0/25–100 %
- Factor 1 : 10
- Available languages: DE, EN, FR

3

Areas of application:

- Dosage of small and medium fluid volumes (water treatment, process industry, acids, bases, flocculants, precipitants, etc.)

Scope of supply:

- **DOSA Tec** Solenoid-driven diaphragm dosing pump **AMS Polymer CO**, accessory set (foot valve, hose, hose thread, injection valve)

Ordering data:

Model:	Dosing capacity: l/h	Pressure range: bar	Max. stroke frequency: 1/min	Hose connection: mm	Item No:
AMS Polymer CO PMMA/Viton® (AMS Polymer CO dosing pump with PMMA pump head and Viton® seals.)	2	8	120	Suction side: PVC braided hose 20 x 27 Discharge side: PVC braided hose 16 x 22	3813930
	4	6			3813931
	10	4			3813932
	25	2			3813933
	40	1			3813934

Viton® is a registered trademark of DuPont Dow Elastomer.

Pump heads:

Model:	Dosing capacity: l/h	Pressure range: bar	Pump head:
AMS Polymer CO	2	8	LP
	4	6	MP
	10	4	NP
	25	2	SP
	40	1	TP

Subject to technical modifications and printing errors. Images may vary slightly from actual product.
21.04.2020

3.1.27.

DOSA Tec Solenoid-driven diaphragm dosing pump AMS Polymer Plus

Solenoid-driven diaphragm dosing pump for high viscosity media up to 50,000 cPs.



Product description:

- Capacity: 0 – 40 l/h
- Pressure range: 0 – 8 bar
- Pump head material: PMMA (acrylic)
- Seals material: Viton®
- Diaphragm material: PTFE
- Power supply: 230 VAC
- Alternative power supply: 115 VAC (24 VAC, 12 VDC, 24 VDC available on request)
- Suitable for mounting on a base
- Manual stroke length adjustment 0/25 – 100 %
- Inputs:
 - Level control
 - Pulses
 - 4 – 20 mA signal
- Alarm output (option)
- Modes:
 - Pulse multiplication
 - Pulse division
 - Conversion of analogue input signals
- Available languages: DE, EN, FR

Areas of application:

- Dosage of small and medium fluid volumes (water treatment, process industry, acids, bases, flocculants, precipitants, etc.)

Scope of supply:

- **DOSA Tec** Solenoid-driven diaphragm dosing pumps **AMS Polymer Plus**, accessory set (foot valve, hose, hose thread, injection valve)

Ordering data:

Model:	Dosing capacity: l/h	Pressure range: bar	Max. stroke frequency: 1/min	Hose connection: mm	Item No:
AMS Polymer Plus PMMA/Viton® (AMS Polymer Plus dosing pump with PMMA pump head and Viton® seals.)	2	8	120	Suction side: PVC braided hose 20 x 27 Discharge side: PVC braided hose 16 x 22	3813935
	4	6			3813936
	10	4			3813937
	25	2			3813938
	40	1			3813939
Optional external level/alarm contact NO/NC					9013522

Viton® is a registered trademark of DuPont Dow Elastomer.

Pump heads:

Model:	Dosing capacity: l/h	Pressure range: bar	Pump head:
AMS Polymer Plus	2	8	LP
	4	6	MP
	10	4	NP
	25	2	SP
	40	1	TP

Subject to technical modifications and printing errors. Images may vary slightly from actual product.
21.04.2020

3.1.28.

DOSA Tec Solenoid-driven diaphragm dosing pump AMS Polymer MF

Solenoid-driven diaphragm dosing pump for high viscosity media up to 50,000 cPs.



Product description:

- Capacity: 0 – 40 l/h, pressure range: 0 – 8 bar
- Pump head material: PMMA (acrylic)
- Seals material: Viton®
- Diaphragm material: PTFE
- Power supply: 230 VAC
- Alternative power supply: 115 VAC (24 VAC, 12 VDC, 24 VDC available on request)
- Suitable for mounting on a base
- Manual stroke length adjustment 0/25 – 100 %
- Inputs:
 - Level control
 - External dosing start
 - Pulses
 - Flow rate monitoring
 - 4 – 20 mA signal
 - 0 – 10 V signal
- Alarm output
- Modes:
 - Pulse multiplication
 - Pulse division
 - Conversion of analogue input signals
 - Dosing of pre-set volumes
- Available languages: DE, EN, FR

3

Areas of application:

- Dosage of small and medium fluid volumes (water treatment, process industry, acids, bases, flocculants, precipitants, etc.)

Scope of supply:

- **DOSA Tec** Solenoid-driven diaphragm dosing pump **AMS Digital Polymer MF**, accessory set (foot valve, hose, hose thread, injection valve)

Ordering data:

Model:	Dosing capacity: l/h	Pressure range: bar	Max. stroke frequency: 1/min	Hose connection: mm	Item No:
AMS Digital Polymer MF PMMA/Viton® (AMS Digital Polymer MF dosing pump with PMMA pump head and Viton® seals)	2	8	120	Suction side: PVC braided hose 20 x 27 Discharge side: PVC braided hose 16 x 22	3813960
	4	6			3813961
	10	4			3813962
	25	2			3813963
	40	1			3813964

Viton® is a registered trademark of DuPont Dow Elastomer.

Pump heads:

Model:	Dosing capacity: l/h	Pressure range: bar	Pump head:
AMS Digital Polymer MF	2	8	LP
	4	6	MP
	10	4	NP
	25	2	SP
	40	1	TP

Subject to technical modifications and printing errors. Images may vary slightly from actual product.
21.04.2020

Solenoid-driven diaphragm dosing pump for high viscosity media up to 50,000 cPs.



Product description:

- Capacity: 0 – 40 l/h
- Pressure range: 0 – 8 bar
- Pump head material: PMMA (acrylic)
- Seals material: Viton®
- Diaphragm material: PTFE
- Power supply: 230 VAC
- Alternative power supply: 115 VAC (24 VAC, 12 VDC, 24 VDC available on request)
- Suitable for mounting on a base
- Manual stroke length adjustment 0/25 – 100 %
- Inputs:
 - Level control
 - External dosing start
 - Direct pH control, pH 0 – 14
- Alarm output (option, available on request)
- Mode: proportional to the measured value, or On/Off
- Available languages: DE, EN, FR

Areas of application:

- Dosage of small and medium fluid volumes (water treatment, process industry, acids, bases, flocculants, precipitants, etc.)

Scope of supply:

- **DOSA Tec** Solenoid-driven diaphragm dosing pump **AMS Digital Polymer PH**, accessory set (foot valve, hose, hose thread, injection valve, level switch)

Ordering data:

Model:	Dosing capacity: l/h	Pressure range: bar	Max. stroke frequency: 1/min	Hose connection: mm	Item No:
AMS Digital Polymer PH PMMA/Viton® (AMS Digital Polymer PH dosing pump with PMMA pump head and Viton® seals.)	2	8	120	Suction side: PVC braided hose 20 x 27 Discharge side: PVC braided hose 16 x 22	3813965
	4	6			3813966
	10	4			3813967
	25	2			3813968
	40	1			3813969
Optional external level/alarm contact NO/NC					9013522

Viton® is a registered trademark of DuPont Dow Elastomer.

Pump heads:

Model:	Dosing capacity: l/h	Pressure range: bar	Pump head:
AMS Digital Polymer PH	2	8	LP
	4	6	MP
	10	4	NP
	25	2	SP
	40	1	TP

Subject to technical modifications and printing errors. Images may vary slightly from actual product.
21.04.2020

Solenoid-driven diaphragm dosing pump for high viscosity media up to 50,000 cPs.



Product description:

- Capacity: 0 – 40 l/h
- Pressure range: 0 – 8 bar
- Pump head material: PMMA (acrylic)
- Seals material: Viton®
- Diaphragm material: PTFE
- Power supply: 230 VAC
- Alternative power supply: 115 VAC (24 VAC, 12 VDC, 24 VDC available on request)
- Suitable for mounting on a base
- Manual stroke length adjustment 0/25 – 100 %
- Inputs:
 - Level control
 - External dosing start
 - Direct redox control, 0 – 1000 mV
- Alarm output (option)
- Mode: proportional to the measured value, or On/Off
- Available languages: DE, EN, FR

Areas of application:

- Dosage of small and medium fluid volumes (water treatment, process industry, acids, bases, flocculants, precipitants, etc.)

Scope of supply:

- **DOSA Tec** Solenoid-driven diaphragm dosing pump **AMS Digital Polymer RH**, accessory set (foot valve, hose, hose thread, injection valve, level switch)

Ordering data:

Model:	Dosing capacity: l/h	Pressure range: bar	Max. stroke frequency: 1/min	Hose connection: mm	Item No:
AMS Digital Polymer RH PMMA/Viton® (AMS Digital Polymer RH dosing pump with PMMA pump head and Viton® seals.)	2	8	120	Suction side: PVC braided hose 20 x 27 Discharge side: PVC braided hose 16 x 22	3813970
	4	6			3813971
	10	4			3813972
	25	2			3813973
	40	1			3813974
Optional external level/alarm contact NO/NC					9013522

Viton® is a registered trademark of DuPont Dow Elastomer.

Pump heads:

Model:	Dosing capacity: l/h	Pressure range: bar	Pump head:
AMS Digital Polymer RH	2	8	LP
	4	6	MP
	10	4	NP
	25	2	SP
	40	1	TP

3.1.31.

DOSA*Tec* Solenoid-driven diaphragm dosing pump K CO

Solenoid-driven diaphragm dosing pump for precise dosing of liquid media. Version for high viscosity media between 100 and 8000 cPs available for the LPV version.



Product description:

- Capacity: 0 – 18 l/h
- Pressure range: 0 – 20 bar
- Pump head material: PVDF
 - option: PP, acrylic, stainless steel
- Seals material: Viton®, EPDM
- Diaphragm material: PTFE
- Power supply: 230 VAC
- Alternative power supply: 115 VAC (24 VAC, 12 V DC, 24 V DC available on request)
- Manual pump head priming valve
- Manual stroke frequency adjustment 0 – 100 %
- Manual stroke length adjustment 0/25 – 100 %
- Pulse scaling 1 : 10
- Manual stroke length adjustment
- Available languages: DE, EN, FR

3

Areas of application:

- Dosage of small and medium fluid volumes (water treatment, process industry, acids, bases, flocculants, precipitants, etc.)

Scope of supply:

- **DOSA*Tec* K CO** Solenoid-driven diaphragm dosing pump, accessory set (foot valve, hose, hose thread, injection valve, level switch)

Ordering data:

Model:	Dosing capacity: l/h	Pressure range: bar	Max. stroke frequency: 1/min	Hose connection: mm	Item No:
KC O PVDF/Viton® (KC O dosing pump with PVDF pump head and Viton® seals.)	1	5	180	Suction side: PVC hose 4 x 6 from 18/2 l/h up 6 x 8 Discharge side: PE hose 4 x 8 from 18 l 2 up 6 x 8	3913006
	1	20			3913000
	2	18			3913001
	4	15			3913007
	5	10			3913002
	8	8			3913012
	10	5			3913003
	18	2			3913004

Viton® is a registered trademark of DuPont Dow Elastomer.

Ordering data:

Model:	Dosing capacity: l/h	Pressure range: bar	Max. stroke frequency: 1/min	Hose connection: mm	Item No:
K CO PVDF/EPDM (K CO dosing pump with PVDF pump head and EPDM seals.)	1	5	180	Suction side: PVC hose 4 x 6 from 18/2 l/h up 6 x 8 Discharge side: PE hose 4 x 8 from 18 l 2 up 6 x 8	3913026
	1	20			3913020
	2	18			3913021
	4	15			3913027
	5	10			3913022
	8	8			3913032
	10	5			3913023
	18	2			3913024

Options:

Model:	Item No:
PP pump heads I and IA	8613008
PP pump heads L and LA	8713130
PP pump heads M and MA	8613003
Stainless steel AISI 316 pump head li	8913185
Stainless steel AISI 316 pump head Li*	8913160
Stainless steel AISI 316 pump head Mi*	8913165
Acrylic pump head I	8913030
Acrylic pump head L	8913130
Acrylic pump head M	8913135
Acrylic pump head LPV L up to 8000 cPs**	8913310
Acrylic pump head LPV M up to 8000 cPs**	8913311
PVDF hose for K, KA, KMS and KMSA pump series 4 x 6	8713075
PVDF hose for K, KA, KMS and KMSA pump series 6 x 8	8713080
*No accessories included.	
**Hose connection for acrylic pump head up to 8000 cPs: Discharge side 16 x 22, PVC hose; Suction side 8 x 12 PE hose; Foot valve made of stainless steel not included.	
Surcharge for stainless steel dosing head (excl. accessories and hoses). Please specify the required thread (cylindrical, conical or NPT) in your order.	

Pump heads:

Model:	Dosing capacity: l/h	Pressure range: bar	Pump head:
K CO	1	5	I
	1	20	I
	2	18	L
	4	15	L
	5	10	L
	8	8	L
	10	5	L
	18	2	M

3.1.32.

DOSA Tec Solenoid-driven diaphragm dosing pump K CL

Solenoid-driven diaphragm dosing pump for precise dosing of liquid media. Version for high viscosity media between 100 and 8000 cPs available for the LPV version.



Product description:

- Capacity: 0 – 18 l/h
- Pressure range: 0 – 20 bar
- Pump head material: PVDF
 - option: PP, acrylic, stainless steel
- Seals material: Viton®, EPDM
- Diaphragm material: PTFE
- Power supply: 230 VAC
- Alternative power supply: 115 VAC (24 VAC, 12 VDC, 24 VDC available on request)
- Manual pump head priming valve
- Suitable for mounting on a base
- Manual stroke frequency adjustment 0 – 100 %
- Manual stroke length adjustment 0/25 – 100 %
- Pulse scaling 1 : 10
- Level control input
- Available languages: DE, EN, FR

3

Areas of application:

- Dosage of small and medium fluid volumes (water treatment, process industry, acids, bases, flocculants, precipitants, etc.)

Scope of supply:

- **DOSA Tec K CL** Solenoid-driven diaphragm dosing pump, accessory set (foot valve, hose, hose thread, injection valve, level switch)

Ordering data:

Model:	Dosing capacity: l/h	Pressure range: bar	Max. stroke frequency: 1/min	Hose connection: mm	Item No:
K CL PVDF/Viton® (K CL dosing pump with PVDF pump head and Viton® seals.)	1	5	180	Suction side: PVC hose 4 x 6 from 18/2 l/h up 6 x 8 Discharge side: PE hose 4 x 8 from 18/2 l/h up 6 x 8	3913046
	1	20			3913040
	2	18			3913041
	4	15			3913047
	5	10			3913042
	8	8			3913052
	10	5			3913043
	18	2			3913044

Viton® is a registered trademark of DuPont Dow Elastomer.

Ordering data:

Model:	Dosing capacity: l/h	Pressure range: bar	Max. stroke frequency: 1/min	Hose connection: mm	Item No:
K CL PVDF/EPDM (K CL dosing pump with PVDF pump head and EPDM seals.)	1	5	180	Suction side: PVC hose 4 x 6 from 18/2 l/h up 6 x 8 Discharge side: PE hose 4 x 8 from 18/2 l/h up 6 x 8	3913066
	1	20			3913060
	2	18			3913061
	4	15			3913067
	5	10			3913062
	8	8			3913072
	10	5			3913063
	18	2			3913064

Options:

Model:	Item No:
PP pump heads I and IA	8613008
PP pump heads L and LA	8713130
PP pump heads M and MA	8613003
Stainless steel AISI 316 pump head li	8913185
Stainless steel AISI 316 pump head Li*	8913160
Stainless steel AISI 316 pump head Mi*	8913165
Acrylic pump head I	8913030
Acrylic pump head L	8913130
Acrylic pump head M	8913135
Acrylic pump head LPV L up to 8000 cPs**	8913310
Acrylic pump head LPV M up to 8000 cPs	8913311
PVDF hose for K, KA, KMS and KMSA pump series 4 x 6	8713075
PVDF hose for K, KA, KMS and KMSA pump series 6 x 8	8713080
*No accessories included.	
**Hose connection for acrylic pump head up to 8000 cPs: Discharge side 16 x 22, PVC hose; Suction side 8 x 12 PE hose; Foot valve made of stainless steel not included.	
Surcharge for stainless steel dosing head (excl. accessories and hoses). Please specify the required thread (cylindrical, conical or NPT) in your order.	

Pump heads:

Model:	Dosing capacity: l/h	Pressure range: bar	Pump head:
K CL	1	5	I
	1	20	I
	2	18	L
	4	15	L
	5	10	L
	8	8	L
	10	5	L
	18	2	M

3.1.33.

DOSA Tec Solenoid-driven diaphragm dosing pump K Plus

Solenoid-driven diaphragm dosing pump for precise dosing of liquid media. Version for high viscosity media between 100 and 8000 cPs available for the LPV version.



Product description:

- Capacity: 0 – 18 l/h
- Pressure range: 0 – 20 bar
- Pump head material: PVDF
 - option: PP, acrylic, stainless steel
- Seals material: Viton®, EPDM
- Diaphragm material: PTFE
- Power supply: 230 VAC
- Alternative power supply: 115 VAC (24 VAC, 12 VDC, 24 VDC available on request)
- Manual pump head priming valve
- Suitable for mounting on a base
- Manual stroke frequency adjustment 0 – 100 %
- Manual stroke length adjustment 0/25 – 100 %
- Inputs for:
 - Level control
 - Pulses
 - 4 – 20 mA signal
- Output (optional) for alarm output
- Modes:
 - Pulse multiplication
 - Pulse division
 - Conversion of analogue input signals
 - Dosing of pre-set volumes
- Available languages: DE, EN, FR

3

Areas of application:

- Dosage of small and medium fluid volumes (water treatment, process industry, acids, bases, flocculants, precipitants, etc.)

Scope of supply:

- **DOSA Tec Solenoid-driven diaphragm dosing pump K Plus**, accessory set (foot valve, hose, hose thread, injection valve, level switch)

Ordering data:

Model:	Dosing capacity: l/h	Pressure range: bar	Max. stroke frequency: 1/min	Hose connection: mm	Item No:
K Plus PVDF/Viton® (K Plus dosing pump with PVDF pump head and Viton® seals.)	1	5	180	Suction side: PVC hose 4 x 6 from 18/2 l/h up 6 x 8	4013006
	1	20			4013000
	2	18			4013001
	4	15			4013007
	5	10			4013002
	8	8			4013008
	10	5			4013003
	18	2			4013004
				Discharge side: PE hose 4 x 8 from 18/2 l/h up 6 x 8	

Viton® is a registered trademark of DuPont Dow Elastomer.

Subject to technical modifications and printing errors. Images may vary slightly from actual product.
14.04.2020

Ordering data:

Model:	Dosing capacity: l/h	Pressure range: bar	Max. stroke frequency: 1/min	Hose connection: mm	Item No:
K Plus PVDF/EPDM (K Plus dosing pump with PVDF pump head and EPDM seals.)	1	5	180	Suction side: PVC hose 4 x 6 from 18/2 l/h up 6 x 8 Discharge side: PE hose 4 x 8 from 18/2 l/h up 6 x 8	4013026
	1	20			4013020
	2	18			4013021
	4	15			4013027
	5	10			4013022
	8	8			4013028
	10	5			4013023
	18	2			4013024

Options:

Model:	Item No:
PP pump heads I and IA	8613008
PP pump heads L and LA	8713130
PP pump heads M and MA	8613003
Stainless steel AISI 316 pump head li	8913185
Stainless steel AISI 316 pump head Li*	8913160
Stainless steel AISI 316 pump head Mi*	8913165
Acrylic pump head I	8913030
Acrylic pump head L	8913130
Acrylic pump head M	8913135
Acrylic pump head LPV L up to 8000 cPs**	8913310
Acrylic pump head LPV M up to 8000 cPs	8913311
PVDF hose for K, KA, KMS and KMSA pump series 4 x 6	8713075
PVDF hose for K, KA, KMS and KMSA pump series 6 x 8	8713080
External level/alarm contact NO/NC	9013522
*No accessories included.	
**Hose connection for acrylic pump head up to 8000 cPs: Discharge side 16 x 22, PVC hose; Suction side 8 x 12 PE hose; Foot valve made of stainless steel not included.	
Surcharge for stainless steel dosing head (excl. accessories and hoses). Please specify the required thread (cylindrical, conical or NPT) in your order.	

Pump heads:

Model:	Dosing capacity: l/h	Pressure range: bar	Pump head:
K Plus	1	5	I
	1	20	I
	2	18	L
	4	15	L
	5	10	L
	8	8	L
	10	5	L
	18	2	M

3.1.34.

DOSA *Tec* Solenoid-driven diaphragm dosing pump KA CO



Self-venting solenoid-driven diaphragm dosing pump for precise dosing of liquid media.

Product description:

- Capacity: 0 – 13 l/h
- Pressure range: 0 – 18 bar
- Pump head material: PVDF
option: PP, acrylic
- Seals material: Viton®, EPDM
- Diaphragm material: PTFE
- Power supply: 230 VAC
- Alternative power supply: 115 VAC
(24 VAC, 12 VDC, 24 VDC available on request)
- Suitable for mounting on a base
- Manual stroke frequency adjustment 0 – 100 %
- Manual stroke length adjustment 0/25 – 100 %
- Pulse scaling 1 : 10
- Available languages: DE, EN, FR

3

Areas of application:

- Dosage of small and medium fluid volumes (water treatment, process industry, acids, bases, flocculants, precipitants, etc.)

Scope of supply:

- DOSA *Tec* Solenoid-driven diaphragm dosing pump KA CO, accessory set (foot valve, hose, hose thread, injection valve)

Ordering data:

Model:	Dosing capacity: l/h	Pressure range: bar	Max. stroke frequency: 1/min	Hose connection: mm	Item No:
KA CO PVDF/Viton® (KA CO dosing pump with PVDF pump head and Viton® seals.)	0.5	10	180	Suction side: PVC hose 4 x 6 from 13/2 l/h up 6 x 8	3913500
	1.0	18			3913501
	3.0	15			3913502
	5.5	8			3913503
	7.5	5			3913504
	13.0	2			3913505
				Discharge side: PE hose 4 x 8 from 13/2 l/h up 6 x 8	

Viton® is a registered trademark of DuPont Dow Elastomer.

Ordering data:

Model:	Dosing capacity: l/h	Pressure range: bar	Max. stroke frequency: 1/min	Hose connection: mm	Item No:
KA CO PVDF/EPDM (KA CO dosing pump with PVDF pump head and EPDM seals.)	0.5	10	180	Suction side: PVC hose 4 x 6 from 13/2 l/h up 6 x 8 Discharge side: PE hose 4 x 8 from 13/2 l/h up 6 x 8	3913510
	1.0	18			3913511
	3.0	15			3913512
	5.5	8			3913513
	7.5	5			3913514
	13.0	2			3913515

Options:

Model:	Item No:
PP pump heads I and IA	8613008
PP pump heads L and LA	8713130
PP pump heads M and MA	8613003
Acrylic pump head IA	8713100
Acrylic pump head LA	8713101
Acrylic pump head MA	8713102
PVDF hose for K , KA , KMS and KMSA pump series 4 x 6	8713075
PVDF hose for K , KA , KMS and KMSA pump series 6 x 8	8713080

Pump heads:

Model:	Dosing capacity: l/h	Pressure range: bar	Pump head:
KA CO	0.5	10	IA
	1.0	18	IA
	3.0	15	LA
	5.5	8	LA
	7.5	5	LA
	13.0	2	MA

3.1.35.

DOSA Tec Solenoid-driven diaphragm dosing pump KA CL

Self-venting solenoid-driven diaphragm dosing pump for precise dosing of liquid media.



Product description:

- Capacity: 0–13 l/h
- Pressure range: 0–18 bar
- Pump head material: PVDF
 - option: PP, acrylic
- Seals material: Viton®, EPDM
- Diaphragm material: PTFE
- Power supply: 230 VAC
- Alternative power supply: 115 VAC
(24 VAC, 12 VDC, 24 VDC available on request)
- Suitable for mounting on a base
- Manual stroke frequency adjustment 0–100 %
- Manual stroke length adjustment 0/25–100 %
- Pulse scaling 1 : 10
- Level control input
- Available languages: DE, EN, FR

3

Areas of application:

- Dosage of small and medium fluid volumes (water treatment, process industry, acids, bases, flocculants, precipitants, etc.)

Scope of supply:

- **DOSA Tec** Solenoid-driven diaphragm dosing pump **KA CL**, accessory set (foot valve, hose, hose thread, injection valve, level switch)

Ordering data:

Model:	Dosing capacity: l/h	Pressure range: bar	Max. stroke frequency: 1/min	Hose connection: mm	Item No:
KA CL PVDF/Viton® (KA CL dosing pump with PVDF pump head and Viton® seals.)	0.5	10	180	Suction side: PVC hose 4 x 6 from 13/2 l/h up 6 x 8	3913520
	1.0	18			3913521
	3.0	15			3913522
	5.5	8			3913523
	7.5	5			3913524
	13.0	2			3913525
				Discharge side: PE hose 4 x 8 from 13/2 l/h up 6 x 8	

Viton® is a registered trademark of DuPont Dow Elastomer.

Ordering data:

Model:	Dosing capacity: l/h	Pressure range: bar	Max. stroke frequency: 1/min	Hose connection: mm	Item No:
KA CL PVDF/EPDM (KA CL dosing pump with PVDF pump head and EPDM seals.)	0.5	10	180	Suction side: PVC hose 4 x 6 from 13/2 l/h up 6 x 8 Discharge side: PE hose 4 x 8 from 13/2 l/h up 6 x 8	3913530
	1.0	18			3913531
	3.0	15			3913532
	5.5	8			3913533
	7.5	5			3913534
	13.0	2			3913535

Options:

Model:	Item No:
PP pump heads I and IA	8613008
PP pump heads L and LA	8713130
PP pump heads M and MA	8613003
Acrylic pump head IA	8713100
Acrylic pump head LA	8713101
Acrylic pump head MA	8713102
PVDF hose for K , KA , KMS and KMSA pump series 4 x 6	8713075
PVDF hose for K , KA , KMS and KMSA pump series 6 x 8	8713080

Pump heads:

Model:	Dosing capacity: l/h	Pressure range: bar	Pump head:
KA CL	0.5	10	IA
	1.0	18	IA
	3.0	15	LA
	5.5	8	LA
	7.5	5	LA
	13.0	2	MA

Self-venting solenoid-driven diaphragm dosing pump for precise dosing of liquid media.



Product description:

- Capacity: 0 – 13 l/h
- pressure range: 0 – 18 bar
- Pump head material: PVDF
 - option: PP, acrylic
- Seals material: Viton®, EPDM
- Diaphragm material: PTFE
- Power supply: 230 VAC
- Alternative power supply: 115 VAC
(24 VAC, 12 VDC, 24 VDC available on request)
- Suitable for mounting on a base
- Manual stroke frequency adjustment 0 – 100 %
- Manual stroke length adjustment 0/25 – 100 %
- Inputs:
 - Level control
 - Pulses
 - 4 – 20 mA signal
- Optional output for alarm output
- Modes:
 - Pulse multiplication
 - Pulse division
 - Conversion of analogue input signals
 - Dosing of pre-set volumes
- Available languages: DE, EN, FR

3

Areas of application:

- Dosage of small and medium fluid volumes (water treatment, process industry, acids, bases, flocculants, precipitants, etc.)

Scope of supply:

- **DOSA Tec Solenoid-driven diaphragm dosing pump KA Plus**, accessory set (foot valve, hose, hose thread, injection valve, level switch)

Ordering data:

Model:	Dosing capacity: l/h	Pressure range: bar	Max. stroke frequency: 1/min	Hose connection: mm	Item No:
KA Plus PVDF/Viton® (KA Plus dosing pump with PVDF pump head and Viton® seals.)	0.5	10	180	Suction side: PVC hose 4 x 6 from 13/2 l/h up 6 x 8	4013040
	1.0	18			4013041
	3.0	15			4013042
	3.5	10			4013046
	5.5	8			4013043
	7.5	5			4013044
	13.0	2			4013045

Viton® is a registered trademark of DuPont Dow Elastomer.

Ordering data:

Model:	Dosing capacity: l/h	Pressure range: bar	Max. stroke frequency: 1/min	Hose connection: mm	Item No:
KA Plus PVDF/EPDM (KA Plus dosing pump with PVDF pump head and EPDM seals)	0.5	10	180	Suction side: PVC hose 4 x 6 from 13/2 l/h up 6 x 8 Discharge side: PE hose 4 x 8 from 13/2 l/h up 6 x 8	4013060
	1.0	18			4013061
	3.0	15			4013062
	5.5	8			4013063
	7.5	5			4013064
	13.0	2			4013065

Options:

Model:	Item No:
PP pump heads I and IA	8613008
PP pump heads L and LA	8713130
PP pump heads M and MA	8613003
Acrylic pump head IA	8713100
Acrylic pump head LA	8713101
Acrylic pump head MA	8713102
PVDF hose for K, KA, KMS and KMSA pump series 4 x 6	8713075
PVDF hose for K, KA, KMS and KMSA pump series 6 x 8	8713080
External level/alarm contact NO/NC	9013522

Pump heads:

Model:	Dosing capacity: l/h	Pressure range: bar	Pump head:
KA Plus	0.5	10	IA
	1.0	18	IA
	3.0	15	LA
	5.5	8	LA
	7.5	5	LA
	13.0	2	MA

Solenoid-driven diaphragm dosing pump for precise dosing of liquid media. Version for high viscosity media between 100 and 8000 cPs available for the LPV version.



Product description:

- Capacity: 0 – 18 l/h
- Pressure range: 0 – 18 bar
- Pump head material: PVDF
 - option: PP, acrylic, stainless steel
- Seals material: Viton®, EPDM
- Diaphragm material: PTFE
- Power supply: 230 VAC
- Alternative power supply: 115 VAC (24 VAC, 12 VDC, 24 VDC available on request)
- Manual pump head venting
- Suitable for mounting on a base
- Manual stroke length adjustment 0/25 – 100 %
- Inputs:
 - Level control
 - External dosing start
 - Pulses
 - Hydraulic stroke control
 - 4 – 20 mA signal
 - 0 – 10 V signal
- Alarm output
- Modes:
 - Pulse multiplication
 - Pulse division
 - Conversion of analogue input signals
 - Dosing of pre-set volumes
- Available languages: DE, EN, FR

3

Areas of application:

- Dosage of small and medium fluid volumes (water treatment, process industry, acids, bases, flocculants, precipitants, etc.)

Scope of supply:

- **DOSA Tec** Solenoid-driven diaphragm dosing pump **KMS MF**, accessory set (foot valve, hose, hose thread, injection valve, level switch)

Ordering data:

Model:	Dosing capacity: l/h	Pressure range: bar	Max. stroke frequency: 1/min	Hose connection: mm	Item No:
KMS MF PVDF/Viton® (KMS MF dosing pump with PVDF pump head and Viton® seals.)	2	18	180	Suction side: PVC hose, 4 x 6 from 18 2 up, 6 x 8 Discharge side: PVDF hose, 4 x 6 from 18 2 up, 6 x 8	3913281
	4	15			3913287
	5	10			3913282
	8	8			3913292
	10	5			3913283
	18	2			3913284

Viton® is a registered trademark of DuPont Dow Elastomer.

Ordering data:

Model:	Dosing capacity: l/h	Pressure range: bar	Max. stroke frequency: 1/min	Hose connection: mm	Item No:
KMS MF PVDF/EPDM (KMS MF dosing pump with PVDF pump head and EPDM seals.)	2	18	180	Suction side: PVC hose, 4 x 6 from 18 2 up, 6 x 8	3913301
	4	15			3913307
	5	10			3913302
	8	8			3913312
	10	5			3913303
	18	2			3913304

Options:

Model:	Item No:
PP pump heads L and LA	8713130
PP pump heads M and MA	8613003
Stainless steel AISI 316 pump head li	8913185
Stainless steel AISI 316 pump head Li*	8913160
Stainless steel AISI 316 pump head Mi*	8913165
Acrylic pump head I	8913030
Acrylic pump head L	8913130
Acrylic pump head M	8913135
Acrylic pump head LPV L up to 8000 cPs	8913310
Acrylic pump head LPV M up to 8000 cPs	8913311
PVDF hose for K, KA, KMS and KMSA pump series 4 x 6 mm	8713075
PVDF hose for K, KA, KMS and KMSA pump series 6 x 8 mm	8713080
*No accessories included.	
**Hose connection for acrylic pump head up to 8000 cPs: Discharge side 16 x 22, PVC hose; Suction side 8 x 12 PE hose; Foot valve made of stainless steel not included.	
Surcharge for stainless steel dosing head (excl. accessories and hoses). Please specify the required thread (cylindrical, conical or NPT) in your order.	

Pump heads:

Model:	Dosing capacity: l/h	Pressure range: bar	Pump head:
KMS MF	2	18	L
	4	15	L
	5	10	L
	8	8	L
	10	5	L
	18	2	M

3.1.38.

DOSA Tec Solenoid-driven diaphragm dosing pump **KMS PH**

Solenoid-driven diaphragm dosing pump for precise dosing of liquid media. Version for high viscosity media between 100 and 8000 cPs available for the LPV version.



Product description:

- Capacity: 0 – 18 l/h
- Pressure range: 0 – 20 bar
- Pump head material: PVDF
 - option: PP, acrylic, stainless steel
- Seals material: Viton®, EPDM
- Diaphragm material: PTFE
- Power supply: 230 V AC
- Alternative power supply: 115 VAC (24 VAC, 12 VDC, 24 VDC available on request)
- Manual pump head venting
- Suitable for mounting on a base
- Manual stroke length adjustment 0/25 – 100 %
- Inputs:
 - Level control
 - External dosing start
 - Direct pH control, pH 0 – 14
- Optional output for alarm output
- Modes:
 - Proportional to the measured value, or On/Off
 - Dosing of pre-set volumes
- Available languages: DE, EN, FR

Areas of application:

- Dosage of small and medium fluid volumes (water treatment, process industry, acids, bases, flocculants, precipitants, etc.)

Scope of supply:

- DOSA Tec Solenoid-driven diaphragm dosing pump **KMS PH**, accessory set (foot valve, hose, hose thread, injection valve, level switch)

Ordering data:

Model:	Dosing capacity: l/h	Pressure range: bar	Max. stroke frequency: 1/min	Hose connection: mm	Item No:
KMS PH PVDF/Viton® (KMS PH dosing pump with PVDF pump head and Viton® seals.)	1	5	180	Suction side: PVC hose 4 x 6 from 18/2 l/h up 6 x 8	3913406
	1	20			3913400
	2	18			3913401
	4	15			3913407
	5	10			3913402
	8	8			3913412
	10	5			3913403
	18	2			3913404
				Discharge side: PVDF hose 4 x 6 from 18/2 up l/h 6 x 8	

Viton® is a registered trademark of DuPont Dow Elastomer.

Ordering data:

Model:	Dosing capacity: l/h	Pressure range: bar	Max. stroke frequency: 1/min	Hose connection: mm	Item No:
KMS PH PVDF/EPDM (KMS PH dosing pump with PVDF pump head and EPDM seals.)	1	3	180	Suction side: PVC hose 4 x 6 from 18/2 l/h up 6 x 8 Discharge side: PVDF hose 4 x 6 from 18/2 up l/h 6 x 8	3913425
	1	5			3913426
	1	20			3913420
	2	18			3913421
	4	15			3913427
	5	10			3913422
	8	8			3913432
	10	5			3913423
	18	2			3913424

3

Options:

Model:	Item No:
PP pump heads I and IA	8613008
PP pump heads L and LA	8713130
PP pump heads M and MA	8613003
Stainless steel AISI 316 pump head li	8913185
Stainless steel AISI 316 pump head Li*	8913160
Stainless steel AISI 316 pump head Mi*	8913165
Acrylic pump head I	8913030
Acrylic pump head L	8913130
Acrylic pump head M	8913135
Acrylic pump head LPV L up to 8000 cPs	8913310
Acrylic pump head LPV M up to 8000 cPs	8913311
PVDF hose for K, KA, KMS and KMSA pump series 4 x 6	8713075
PVDF hose for K, KA, KMS and KMSA pump series 6 x 8	8713080
External level/alarm contact NO/NC	9013522
*No accessories included.	
**Hose connection for acrylic pump head up to 8000 cPs: Discharge side 16 x 22, PVC hose; Suction side 8 x 12 PE hose; Foot valve made of stainless steel not included.	
Surcharge for stainless steel dosing head (excl. accessories and hoses). Please specify the required thread (cylindrical, conical or NPT) in your order.	

Pump heads:

Model:	Dosing capacity: l/h	Pressure range: bar	Pump head:
KMS PH	1	5	I
	1	20	I
	2	18	L
	4	15	L
	5	10	L
	8	8	L
	10	5	L
	18	2	M

3.1.39.

DOSA Tec Solenoid-driven diaphragm dosing pump **KMS RH**

Solenoid-driven diaphragm dosing pump for precise dosing of liquid media. Version for high viscosity media between 100 and 8000 cPs available for the LPV version.



Product description:

- Capacity: 0–18 l/h
- Pressure range: 0–20 bar
- Pump head material: PVDF
 - option: PP, acrylic, stainless steel
- Seals material: Viton®, EPDM
- Diaphragm material: PTFE
- Power supply: 230 VAC
- Alternative power supply: 115 VAC
(24 VAC, 12 VDC, 24 VDC available on request)
- Manual pump head venting
- Suitable for mounting on a base
- Manual stroke length adjustment 0/25–100 %
- Inputs:
 - Level control
 - External dosing start
 - Direct redox control, 0–1000 mV
- Optional output for alarm output
- Modes:
 - Conversion of analogue input signals
 - Dosing of pre-set volumes
- Available languages: DE, EN, FR

Areas of application:

- Dosage of small and medium fluid volumes (water treatment, process industry, acids, bases, flocculants, precipitants, etc.)

Scope of supply:

- DOSA Tec Solenoid-driven diaphragm dosing pump **KMS RH**, accessory set (foot valve, hose, hose thread, injection valve, level switch)

Ordering data:

Model:	Dosing capacity: l/h	Pressure range: bar	Max. stroke frequency: 1/min	Hose connection: mm	Item No:
KMS RH PVDF/Viton® (KMS RH dosing pump with PVDF pump head and Viton® seals.)	1	5	180	Suction side: PVC hose 4 x 6 from 18/2 l/h up 6 x 8	3913446
	1	20			3913440
	2	18			3913441
	4	15			3913447
	5	10			3913442
	8	8			3913452
	10	5			3913443
	18	2			3913444
				Discharge side: PVDF hose 4 x 6 from 18/2 l/h up 6 x 8	

Viton® is a registered trademark of DuPont Dow Elastomer.

Ordering data:

Model:	Dosing capacity: l/h	Pressure range: bar	Max. stroke frequency: 1/min	Hose connection: mm	Item No:
KMS RH PVDF/EPDM (KMS RH dosing pump with PVDF pump head and EPDM seals.)	1	3	180	Suction side: PVC hose 4 x 6 from 18/2 l/h up 6 x 8 Discharge side: PVDF hose 4 x 6 from 18/2 l/h up 6 x 8	3913465
	1	5			3913466
	1	20			3913460
	2	18			3913461
	4	15			3913467
	5	10			3913462
	8	8			3913472
	10	5			3913463
	18	2			3913464

3

Options:

Model:	Item No:
PP pump heads I and IA	8613008
PP pump heads L and LA	8713130
PP pump heads M and MA	8613003
Stainless steel AISI 316 pump head li	8913185
Stainless steel AISI 316 pump head Li*	8913160
Stainless steel AISI 316 pump head Mi*	8913165
Acrylic pump head I	8913030
Acrylic pump head L	8913130
Acrylic pump head M	8913135
Acrylic pump head LPV L up to 8000 cPs	8913310
Acrylic pump head LPV M up to 8000 cPs	8913311
PVDF hose for K, KA, KMS and KMSA pump series 4 x 6	8713075
PVDF hose for K, KA, KMS and KMSA pump series 6 x 8	8713080
External level/alarm contact NO/NC	9013522
*No accessories included.	
**Hose connection for acrylic pump head up to 8000 cPs: Discharge side 16 x 22, PVC hose; Suction side 8 x 12 PE hose; Foot valve made of stainless steel not included.	
Surcharge for stainless steel dosing head (excl. accessories and hoses). Please specify the required thread (cylindrical, conical or NPT) in your order.	

Pump heads:

Model:	Dosing capacity: l/h	Pressure range: bar	Pump head:
KMS RH	1	5	I
	1	20	I
	2	18	L
	4	15	L
	5	10	L
	8	8	L
	10	5	L
	18	2	M

Self-venting solenoid-driven diaphragm dosing pump for precise dosing of liquid media.



Product description:

- Capacity: 0 – 13 l/h,
- Pressure range: 0 – 20 bar
- Pump head material: PVDF
 - option: PP, acrylic
- Seals material: Viton®, EPDM
- Diaphragm material: PTFE
- Power supply: 230 VAC
- Alternative power supply: 115 V AC
(24 VAC, 12 VDC, 24 VDC available on request)
- Suitable for mounting on a base
- Manual stroke length adjustment 0/25 – 100 %
- Inputs:
 - Level control
 - External dosing start
 - Pulses
 - Hydraulic stroke control
 - 4 – 20 mA signal
 - 0 – 10 V signal
- Alarm output
- Modes:
 - Pulse multiplication
 - Pulse division
 - Conversion of analogue input signals
 - Dosing of pre-set volumes
- Available languages: DE, EN, FR

3

Areas of application:

- Dosage of small and medium fluid volumes (water treatment, process industry, acids, bases, flocculants, precipitants, etc.)

Scope of supply:

- DOSA Tec Solenoid-driven diaphragm dosing pump **KMSA MF**, accessory set (foot valve, hose, hose thread, injection valve, level switch)

Ordering data:

Model:	Dosing capacity: l/h	Pressure range: bar	Max. stroke frequency: 1/min	Hose connection: mm	Item No:
KMSA MF PVDF/Viton® (KMSA MF dosing pump with PVDF pump head and Viton® seals.)	0.5	10	180	Suction side: PVC hose 4 x 6 from 13/2 l/h up 6 x 8	3913620
	1.0	18			3913621
	3.0	15			3913622
	5.5	8			3913623
	7.5	5			3913624
	13.0	2			3913625
				Discharge side: PVDF hose 4 x 6 from 13/2 l/h up 6 x 8	

Viton® is a registered trademark of DuPont Dow Elastomer.

Ordering data:

Model:	Dosing capacity: l/h	Pressure range: bar	Max. stroke frequency: 1/min	Hose connection: mm	Item No:
KMSA MF PVDF/EPDM (KMSA MF dosing pump with PVDF pump head and EPDM seals.)	0.5	10	180	Suction side: PVC hose 4 x 6 from 13/2 l/h up 6 x 8 Discharge side: PVDF hose 4 x 6 from 13/2 l/h up 6 x 8	3913630
	1.0	18			3913631
	3.0	15			3913632
	5.5	8			3913633
	7.5	5			3913634
	13.0	2			3913635

Options:

Model:	Item No:
PP pump heads I and IA	8613008
PP pump heads L and LA	8713130
PP pump heads M and MA	8613003
Acrylic pump head IA	8713100
Acrylic pump head LA	8713101
Acrylic pump head MA	8713102
PVDF hose for K , KA , KMS and KMSA pump series 4 x 6	8713075
PVDF hose for K , KA , KMS and KMSA pump series 6 x 8	8713080

Pump heads:

Model:	Dosing capacity: l/h	Pressure range: bar	Pump head:
KMSA MF	0.5	10	IA
	1.0	18	IA
	3.0	15	LA
	5.5	8	LA
	7.5	5	LA
	13.0	2	MA
	10.0	5	L
	18.0	2	M

3.1.41.

DOSA Tec Solenoid-driven diaphragm dosing pump KMSA PH

Self-venting solenoid-driven diaphragm dosing pump for precise dosing of liquid media.



Product description:

- Capacity: 0–13 l/h
- pressure range: 0–20 bar
- Pump head material: PVDF
 - option: PP, acrylic
- Seals material: Viton®, EPDM
- Diaphragm material: PTFE
- Power supply: 230 V AC
- Alternative power supply: 115 VAC
(24 VAC, 12 VDC, 24 VDC available on request)
- Suitable for mounting on a base
- Manual stroke length adjustment 0/25–100 %
- Inputs:
 - Level control
 - External dosing start
 - Direct pH control, pH 0–14
- Alarm output (option)
- Modes:
 - Conversion of analogue input signals
 - Dosing of pre-set volumes
- Available languages: DE, EN, FR

Areas of application:

- Dosage of small and medium fluid volumes (water treatment, process industry, acids, bases, flocculants, precipitants, etc.)

Scope of supply:

- **DOSA Tec** Solenoid-driven diaphragm dosing pump **KMSA PH**, accessory set (foot valve, hose, hose thread, injection valve, level switch)

Ordering data:

Model:	Dosing capacity: l/h	Pressure range: bar	Max. stroke frequency: 1/min	Hose connection: mm	Item No:
KMSA PH PVDF/Viton® (KMSA PH dosing pump with PVDF pump head and Viton® seals.)	0.5	10	180	Suction side: PVC hose 4 x 6 from 13/2 l/h up 6 x 8	3913680
	1.0	18			3913681
	3.0	15			3913682
	5.5	8			3913683
	7.5	5			3913684
	13.0	2			3913685
				Discharge side: PVDF hose 4 x 6 from 13/2 l/h up 6 x 8	

Viton® is a registered trademark of DuPont Dow Elastomer.

Ordering data:

Model:	Dosing capacity: l/h	Pressure range: bar	Max. stroke frequency: 1/min	Hose connection: mm	Item No:
KMSA PH PVDF/EPDM (KMSA PH dosing pump with PVDF pump head and EPDM seals.)	0.5	10	180	Suction side: PVC hose 4 x 6 from 13/2 l/h up 6 x 8 Discharge side: PVDF hose 4 x 6 from 13/2 l/h up 6 x 8	3913690
	1.0	18			3913691
	3.0	15			3913692
	5.5	8			3913693
	7.5	5			3913694
	13.0	2			3913695

Options:

Model:	Item No:
PP pump heads I and IA	8613008
PP pump heads L and LA	8713130
PP pump heads M and MA	8613003
Acrylic pump head IA	8713100
Acrylic pump head LA	8713101
Acrylic pump head MA	8713102
PVDF hose for K, KA, KMS and KMSA pump series 4 x 6	8713075
PVDF hose for K, KA, KMS and KMSA pump series 6 x 8	8713080
External level/alarm contact NO/NC	9013522

Pump heads:

Model:	Dosing capacity: l/h	Pressure range: bar	Pump head:
KMSA PH	0.5	10	IA
	1.0	18	IA
	3.0	15	LA
	5.5	8	LA
	7.5	5	LA
	13.0	2	MA

Self-venting solenoid-driven diaphragm dosing pump for precise dosing of liquid media.



Product description:

- Capacity: 0 – 13 l/h
- pressure range: 0 – 20 bar
- Pump head material: PVDF
 - option: PP, acrylic
- Seals material: Viton®, EPDM
- Diaphragm material: PTFE
- Power supply: 230 V AC
- Alternative power supply: 115 VAC
(24 V AC, 12 VDC, 24 VDC available on request)
- Suitable for mounting on a base
- Manual stroke length adjustment 0/25 – 100 %
- Inputs:
 - Level control
 - External dosing start
 - Direct redox control, 0 to -1000 mV
- Output (optional) for alarm output
- Modes:
 - Proportional to the measured value, or On/Off
 - Dosing of pre-set volumes
- Available languages: DE, EN, FR

Areas of application:

- Dosage of small and medium fluid volumes (water treatment, process industry, acids, bases, flocculants, precipitants, etc.)

Scope of supply:

- **DOSA Tec** Solenoid-driven diaphragm dosing pump **KMSA RH**, accessory set (foot valve, hose, hose thread, injection valve, level switch)

Ordering data:

Model:	Dosing capacity: l/h	Pressure range: bar	Max. stroke frequency: 1/min	Hose connection: mm	Item No:
KMSA RH PVDF/Viton® (KMSA RH dosing pump with PVDF pump head and Viton® seals)	0.5	10	180	Suction side: PVC hose 4 x 6 from 13/2 l/h up 6 x 8	3913700
	1.0	18			3913701
	3.0	15			3913702
	5.5	8			3913703
	7.5	5			3913704
	13.0	2			3913705
				Discharge side: PVDF hose 4 x 6 from 13/2 l/h up 6 x 8	

Viton® is a registered trademark of DuPont Dow Elastomer.

Ordering data:

Model:	Dosing capacity: l/h	Pressure range: bar	Max. stroke frequency: 1/min	Hose connection: mm	Item No:
KMSA RH PVDF/EPDM (KMSA RH dosing pump with PVDF pump head and EPDM seals.)	0.5	10	180	Suction side: PVC hose 4 x 6 from 13/2 l/h up 6 x 8 Discharge side: PVDF hose 4 x 6 from 13/2 l/h up 6 x 8	3913710
	1.0	18			3913711
	3.0	15			3913712
	5.5	8			3913713
	7.5	5			3913714
	13.0	2			3913715

Options:

Model:	Item No:
PP pump heads I and IA	8613008
PP pump heads L and LA	8713130
PP pump heads M and MA	8613003
Acrylic pump head IA	8713100
Acrylic pump head LA	8713101
Acrylic pump head MA	8713102
PVDF hose for K, KA, KMS and KMSA pump series 4 x 6	8713075
PVDF hose for K, KA, KMS and KMSA pump series 6 x 8	8713080
External level/alarm contact NO/NC	9013522

Pump heads:

Model:	Dosing capacity: l/h	Pressure range: bar	Pump head:
KMSA RH	0.5	10	IA
	1.0	18	IA
	3.0	15	LA
	5.5	8	LA
	7.5	5	LA
	13.0	2	MA

3.1.43.

DOSA Tec Solenoid-driven diaphragm dosing pump V CO

Solenoid-driven diaphragm dosing pump for precise dosing of liquid media.



Product description:

- Capacity: 0 – 16 l/h
- pressure range: 0 – 20 bar
- Pump head material: PVDF
 - option: PP
- Seals material: Viton®, EPDM
- Diaphragm material: PTFE
- Power supply: 230 VAC
- Alternative power supply: 115 VAC
(24 VAC, 12 VDC, 24 VDC available on request)
- Manual pump head priming valve
- Suitable for wall mounting
- Manual stroke frequency adjustment 0 – 100 %
- Pulse scaling 1 : 10
- Available languages: DE, EN, F

3

Areas of application:

- Dosage of small and medium fluid volumes (water treatment, process industry, acids, bases, flocculants, precipitants, etc.)

Scope of supply:

- DOSA Tec Solenoid-driven diaphragm dosing pump VCO, accessory set (foot valve, hose, hose thread, injection valve)

Ordering data:

Model:	Dosing capacity: l/h	Pressure range: bar	Max. stroke frequency: 1/min	Hose connection: mm	Item No:
V CO PVDF/Viton® (V CO dosing pump with PVDF pump head and Viton® seals.)	1	20	180	Suction side: PVC hose at 1/20, 2/18, 4/18 l/h 4 x 8 all others 4 x 6 from 15/2 l/h up 6 x 8	3513300
	2	15			3513301
	2	18			3513302
	4	10			3513303
	4	15			3513304
	4	18			3513305
	5	10			3513306
	5	15			3513307
	6	7			3513308
	8	4			3513309
	10	3			3513310
	10	5			3513311
	10	10			3513312
	12	5			3513313
	15	2			3513315
	16	1			3513314
				Discharge side: PE hose at 1/20, 2/18, 4/18 l/h 4 x 8 all others 4 x 6 from 15/2 l/h up 6 x 8	

Viton® is a registered trademark of DuPont Dow Elastomer.

Subject to technical modifications and printing errors. Images may vary slightly from actual product.
02.03.2020

Ordering data:

Model:	Dosing capacity: l/h	Pressure range: bar	Max. stroke frequency: 1/min	Hose connection: mm	Item No:
V CO PVDF/EPDM (V CO dosing pump with PVDF pump head and EPDM seals)	1	20	180	Suction side: PVC hose at 1/20, 2/18, 4/18 l/h 4 x 8 all others 4 x 6 from 15/2 l/h up 6 x 8 Discharge side: PE hose at 1/20, 2/18, 4/18 l/h 4 x 8 all others 4 x 6 from 15/2 l/h up 6 x 8	3513320
	2	15			3513321
	2	18			3513322
	4	10			3513323
	4	15			3513324
	4	18			3513325
	5	10			3513326
	5	15			3513327
	6	7			3513328
	8	4			3513329
	10	3			3513330
	10	5			3513331
	10	10			3513332
	12	5			3513333
	15	2			3513335
	16	1			3513334

Options:

Model:	Item No:
PP pump heads J and JA	8713120
PP pump heads K and KA	8713125
PVDF hose 4 x 6 mm	8913321
PVDF hose 6 x 8 mm	8913326

Pump heads:

Model:	Dosing capacity: l/h	Pressure range: bar	Pump head:
V CO	1	20	Y
	2	15	K
	2	18	K
	4	10	K
	4	15	K
	4	18	K
	5	10	K
	5	15	K
	6	7	K
	8	4	K
	10	3	K
	10	5	K
	10	10	K
	12	5	K
	15	2	K
	16	1	K

3.1.44.

DOSA Tec Solenoid-driven diaphragm dosing pump V CL

Solenoid-driven diaphragm dosing pump for precise dosing of liquid media.



Product description:

- Capacity: 0 – 16 l/h
- pressure range: 0 – 20 bar
- Pump head material: PVDF
 - option: PP
- Seals material: Viton®, EPDM
- Diaphragm material: PTFE
- Power supply: 230 VAC
- Alternative power supply: 115 VAC
(24 VAC, 12 VDC, 24 VDC available on request)
- Manual pump head priming valve
- Suitable for wall mounting
- Manual stroke frequency adjustment 0 – 100 %
- Pulse scaling 1 : 10
- Level control input
- Available languages: DE, EN, FR

3

Areas of application:

- Dosage of small and medium fluid volumes (water treatment, process industry, acids, bases, flocculants, precipitants, etc.)

Scope of supply:

- **DOSA Tec** Solenoid-driven diaphragm dosing pump **V CL**, accessory set (foot valve, hose, hose thread, injection valve, level switch)

Ordering data:

Model:	Dosing capacity: l/h	Pressure range: bar	Max. stroke frequency: 1/min	Hose connection: mm	Item No:
V CL PVDF/Viton® (V CL dosing pump with PVDF pump head and Viton® seals.)	1	20	180	Suction side: PVC hose at 1/20, 2/18, 4/18 l/h 4 x 8 all others 4 x 6 from 15/1 l/h up 6 x 8 Discharge side: PE hose at 1/20, 2/18, 4/18 4 x 8 all others 4 x 6 from 15/1 l/h up 6 x 8	3513340
	2	15			3513341
	2	18			3513342
	4	10			3513343
	4	15			3513344
	4	18			3513345
	5	10			3513346
	5	15			3513347
	6	7			3513348
	8	4			3513349
	10	3			3513350
	10	5			3513351
	10	10			3513352
	12	5			3513353
	15	2			3513355
	16	1			3513354

Viton® is a registered trademark of DuPont Dow Elastomer.

Ordering data:

Model:	Dosing capacity: l/h	Pressure range: bar	Max. stroke frequency: 1/min	Hose connection: mm	Item No:
V CL PVDF/EPDM (V CL dosing pump with PVDF pump head and EPDM seals)	1	20	180	Suction side: PVC hose at 1/20, 2/18, 4/18 l/h 4 x 8 all others 4 x 6 from 15/1 l/h up 6 x 8 Discharge side: PE hose at 1/20, 2/18, 4/18 4 x 8 all others 4 x 6 from 15/1 l/h up 6 x 8	3513360
	2	15			3513361
	2	18			3513362
	4	10			3513363
	4	15			3513364
	4	18			3513365
	5	10			3513366
	5	15			3513367
	6	7			3513368
	8	4			3513369
	10	3			3513370
	10	5			3513371
	10	10			3513372
	12	5			3513373
	15	2			3513375
	16	1			3513374

Options:

Model:	Item No:
PP pump heads J and JA	8713120
PP pump heads K and KA	8713125
PVDF hose 4 x 6 mm	8913321
PVDF hose 6 x 8 mm	8913326
External level/alarm contact NO/NC	9013522

Pump heads:

Model:	Dosing capacity: l/h	Pressure range: bar	Pump head:
V CL	1	20	Y
	2	15	K
	2	18	K
	4	10	K
	4	15	K
	4	18	K
	5	10	K
	5	15	K
	6	7	K
	8	4	K
	10	3	K
	10	5	K
	10	10	K
	12	5	K
	15	2	K
	16	1	K

3.1.45.

DOSA Tec Solenoid-driven diaphragm dosing pump VA CO

Self-venting solenoid-driven diaphragm dosing pump for precise dosing of liquid media.



Product description:

- Capacity: 0 – 13.5 l/h
- Pressure range: 0 – 18 bar
- Pump head material: PVDF
- option: PP
- Seals material: Viton®, EPDM
- Diaphragm material: PTFE
- Power supply: 230 VAC
- Alternative power supply: 115 VAC (24 VAC, 12 VDC, 24 VDC available on request)
- Suitable for wall mounting
- Manual stroke frequency adjustment 0 – 100 %
- Pulse scaling 1 : 10
- Available languages: DE, EN, FR

3

Areas of application:

- Dosage of small and medium fluid volumes (water treatment, process industry, acids, bases, flocculants, precipitants, etc.)

Scope of supply:

- DOSA Tec Solenoid-driven diaphragm dosing pump VA CO, accessory set (foot valve, hose, hose thread, injection valve)

Ordering data:

Model:	Dosing capacity: l/h	Pressure range: bar	Max. stroke frequency: 1/min	Hose connection: mm	Item No:
VA CO PVDF/Viton® (VA CO dosing pump with PVDF pump head and Viton® seals.)	1.0	15	180	Suction side: PVC hose at 2/18 l/h 4 x 8 all others 4 x 6 from 12 l 2 up 6 x 8	3513400
	2.0	10			3513401
	2.0	18			3513402
	3.0	15			3513403
	3.4	10			3513404
	4.0	7			3513405
	5.5	4			3513406
	7.0	3			3513407
	7.0	10			3513408
	7.5	5			3513409
	9.0	5			3513410
	12.0	2			3513411
	13.5	1			3513412

Viton® is a registered trademark of DuPont Dow Elastomer.

Subject to technical modifications and printing errors. Images may vary slightly from actual product.
07.04.2020

Ordering data:

Model:	Dosing capacity: l/h	Pressure range: bar	Max. stroke frequency: 1/min	Hose connection: mm	Item No:
VA CO PVDF/EPDM (VA CO dosing pump with PVDF pump head and EPDM seals.)	1.0	15	180	Suction side: PVC hose at 2/18 l/h 4 x 8 all others 4 x 6 from 12 2 up 6 x 8 Discharge side: PE hose at 2/18 l/h 4 x 8 all others 4 x 6 from 12/2 l/h up 6 x 8	3513420
	2.0	10			3513421
	2.0	18			3513422
	3.0	15			3513423
	3.4	10			3513424
	4.0	7			3513425
	5.5	4			3513426
	7.0	3			3513427
	7.0	10			3513428
	7.5	5			3513429
	9.0	5			3513430
	12.0	2			3513431
	13.5	1			3513432

Options:

Model:	Item No:
PP pump heads J and JA	8713120
PP pump heads K and KA	8713125
PVDF hose 4 x 6 mm	8913321
PVDF hose 6 x 8 mm	8913326
External level/alarm contact NO/NC	9013522

Pump heads:

Model:	Dosing capacity: l/h	Pressure range: bar	Pump head:
VA CO	1.0	15	KA
	2.0	10	KA
	2.0	18	KA
	3.0	15	KA
	3.4	10	KA
	4.0	7	KA
	5.5	4	KA
	7.0	3	KA
	7.0	10	KA
	7.5	5	KA
	9.0	5	KA
	12.0	2	KA
	13.5	1	KA

3.1.46.

DOSA *Tec* Solenoid-driven diaphragm dosing pump VA CL

Self-venting solenoid-driven diaphragm dosing pump for precise dosing of liquid media.



Product description:

- Capacity: 0 – 13.5 l/h
- Pressure range: 0 – 18 bar
- Pump head material: PVDF
 - option: PP
- Seals material: Viton®, EPDM
- Diaphragm material: PTFE
- Power supply: 230 VAC
- Alternative power supply: 115 VAC
(24 VAC, 12 VDC, 24 VDC available on request)
- Suitable for wall mounting
- Manual stroke frequency adjustment 0 – 100 %
- Pulse scaling 1 : 10
- Level control input
- Available languages: DE, EN, FR

Areas of application:

- Dosage of small and medium fluid volumes (water treatment, process industry, acids, bases, flocculants, precipitants, etc.)

Scope of supply:

- DOSA *Tec* Solenoid-driven diaphragm dosing pump VA CL, accessory set (foot valve, hose, hose thread, injection valve, level switch)

Ordering data:

Model:	Dosing capacity: l/h	Pressure range: bar	Max. stroke frequency: 1/min	Hose connection: mm	Item No:
VA CL PVDF/Viton® (VA CL dosing pump with PVDF pump head and Viton® seals.)	1.0	15	180	Suction side: PVC hose at 2/18 l/h 4 x 8 all others 4 x 6 from 12/2 l/h up 6 x 8 Discharge side: PE hose at 2/18 l/h 4 x 8 all others 4 x 6 from 12/2 l/h up 6 x 8	3513440
	2.0	10			3513441
	2.0	18			3513442
	3.0	15			3513443
	3.4	10			3513444
	4.0	7			3513445
	5.5	4			3513446
	7.0	3			3513447
	7.0	10			3513448
	7.5	5			3513449
	9.0	5			3513450
	12.0	2			3513451
	13.5	1			3513452

Viton® is a registered trademark of DuPont Dow Elastomer.

Subject to technical modifications and printing errors. Images may vary slightly from actual product.
07.04.2020

Ordering data:

Model:	Dosing capacity: l/h	Pressure range: bar	Max. stroke frequency: 1/min	Hose connection: mm	Item No:
VA CL PVDF/EPDM (VA CL dosing pump with PVDF pump head and EPDM seals.)	1.0	15	180	Suction side: PVC hose at 2/18 l/h 4 x 8 all others 4 x 6 from 12/2 l/h up 6 x 8 Discharge side: PE hose at 2/18 l/h 4 x 8 all others 4 x 6 from 12/2 l/h up 6 x 8	3513460
	2.0	10			3513461
	2.0	18			3513462
	3.0	15			3513463
	3.4	10			3513464
	4.0	7			3513465
	5.5	4			3513466
	7.0	3			3513467
	7.0	10			3513468
	7.5	5			3513469
	9.0	5			3513470
	12.0	2			3513471
	13.5	1			3513472

Options:

Model:	Item No:
PP pump heads J and JA	8713120
PP pump heads K and KA	8713125
PVDF hose 4 x 6 mm	8913321
PVDF hose 6 x 8 mm	8913326
External level/alarm contact NO/NC	9013522

Pump heads:

Model:	Dosing capacity: l/h	Pressure range: bar	Pump head:
VA CL	1.0	15	KA
	2.0	10	KA
	2.0	18	KA
	3.0	15	KA
	3.4	10	KA
	4.0	7	KA
	5.5	4	KA
	7.0	3	KA
	7.0	10	KA
	7.5	5	KA
	9.0	5	KA
	12.0	2	KA
	13.5	1	KA

3.1.47.

DOSA *Tec* Solenoid-driven diaphragm dosing pump **VMS MF**

Solenoid-driven diaphragm dosing pump for precise dosing of liquid media.



Product description:

- Capacity: 0–16 l/h, pressure range: 0–20 bar
- Pump head material: PVDF; PP (optional)
- Seals material: Viton®, EPDM
- Diaphragm material: PTFE
- Power supply: 230 VAC
- Alternative power supply: 115 VAC (24 VAC, 12 VDC, 24 VDC available on request)
- Manual pump head priming valve
- Suitable for wall mounting
- Manual stroke frequency adjustment
- Inputs:
 - Level control
 - External dosing start
 - Pulses
 - 4–20 mA signal
 - 0–10 V signal
- Modes:
 - Pulse multiplication
 - Pulse division
 - Conversion of analogue signals
 - Dosing of pre-set volumes
- Available languages: DE, EN, FR

Areas of application:

- Dosage of small and medium fluid volumes (water treatment, process industry, acids, bases, flocculants, precipitants, etc.)

Scope of supply:

- DOSA *Tec* Solenoid-driven diaphragm dosing pump **VMS MF**, accessory set (foot valve, hose, hose thread, injection valve, level switch)

Ordering data:

Model:	Dosing capacity: l/h	Pressure range: bar	Max. stroke frequency: 1/min	Hose connection: mm	Item No:
VMS MF PVDF/Viton® (VMS MF dosing pump with PVDF pump head and Viton® seals.)	1	20	180	Suction side: PVC hose at 1/20, 2/18, 4/18 l/h 4 x 8 all others 4 x 6 from 15 l 5 up 6 x 8 Discharge side: PE hose at 1/20, 2/18, 4/18 l/h 4 x 8 all others 4 x 6 from 15/5 l/h up 6 x 8	3513500
	2	15			3513501
	2	18			3513502
	4	10			3513503
	4	15			3513504
	4	18			3513505
	5	10			3513506
	5	15			3513507
	6	7			3513508
	8	4			3513509
	10	3			3513510
	10	5			3513511
	10	10			3513512
	12	5			3513513
	15	2			3513515
	16	1			3513514

Viton® is a registered trademark of DuPont Dow Elastomer.

Subject to technical modifications and printing errors. Images may vary slightly from actual product.
07.04.2020

Ordering data:

Model:	Dosing capacity: l/h	Pressure range: bar	Max. stroke frequency: 1/min	Hose connection: mm	Item No:
VMS MF PVDF/EPDM (VMS MF dosing pump with PVDF pump head and EPDM seals.)	1	20	180	Suction side: PVC hose at 1/20, 2/18, 4/18 l/h 4 x 8 all others 4 x 6 from 15 l 5 up 6 x 8 Discharge side: PE hose at 1/20, 2/18, 4/18 l/h 4 x 8 all others 4 x 6 from 15/5 l/h up 6 x 8	3513520
	2	15			3513521
	2	18			3513522
	4	10			3513523
	4	15			3513524
	4	18			3513525
	5	10			3513526
	5	15			3513527
	6	7			3513528
	8	4			3513529
	10	3			3513530
	10	5			3513531
	10	10			3513532
	12	5			3513533
	15	2			3513535
	16	1			3513534

Options:

Model:	Item No:
PP pump heads J and JA	8713120
PP pump heads K and KA	8713125
PVDF hose 4 x 6 mm	8913321
PVDF hose 6 x 8 mm	8913326
External level/alarm contact NO/NC	9013522

Pump heads:

Model:	Dosing capacity: l/h	Pressure range: bar	Pump head:
VMS MF	1	20	Y
	2	15	K
	2	18	K
	4	10	K
	4	15	K
	4	18	K
	5	10	K
	5	15	K
	6	7	K
	8	4	K
	10	3	K
	10	5	K
	10	10	K
	12	5	K
	15	2	K
	16	1	K

3.1.48.

DOSA Tec Solenoid-driven diaphragm dosing pump VMS PO

Solenoid-driven diaphragm dosing pump for precise dosing of liquid media.



Product description:

- Capacity: 0 – 16 l/h
- Pressure range: 0 – 20 bar
- Pump head material: PVDF
 - option: PP
- Seals material: Viton®, EPDM
- Diaphragm material: PTFE
- Power supply: 230 VAC
- Alternative power supply: 115 VAC (24 VAC, 12 VDC, 24 VDC available on request)
 - Manual pump head priming valve
 - Suitable for wall mounting
 - Manual stroke frequency adjustment
- Inputs:
 - Level control
 - Direct pH control, pH 0 – 14
 - Direct redox control, 0 to -1000 mV
- Mode: Proportional to the measured value, or On/Off
- Available languages: DE, EN, FR

Areas of application:

- Dosage of small and medium fluid volumes (water treatment, process industry, acids, bases, flocculants, precipitants, etc.)

Scope of supply:

- DOSA Tec Solenoid-driven diaphragm dosing pump VMS PO, accessory set (foot valve, hose, hose thread, injection valve, level switch)

Ordering data:

Model:	Dosing capacity: l/h	Pressure range: bar	Max. stroke frequency: 1/min	Hose connection: mm	Item No:
VMS PO PVDF/Viton® (VMS PO dosing pump with PVDF pump head and Viton® seals.)	1	20	180	Suction side: PVC hose at 1/20, 2/18, 4/18 l/h 4 x 8 all others 4 x 6 from 15/2 l/h up 6 x 8 Discharge side: PE hose at 1/20, 2/18, 4/18 l/h 4 x 8 all others 4 x 6 from 15/2 l/h up 6 x 8	3513560
	2	15			3513561
	2	18			3513562
	4	10			3513563
	4	15			3513564
	4	18			3513565
	5	10			3513566
	5	15			3513567
	6	7			3513568
	8	4			3513569
	10	3			3513570
	10	5			3513571
	10	10			3513572
	12	5			3513573
	15	2			3513575
	16	1			3513574

Viton® is a registered trademark of DuPont Dow Elastomer.

Subject to technical modifications and printing errors. Images may vary slightly from actual product.
07.04.2020

Ordering data:

Model:	Dosing capacity: l/h	Pressure range: bar	Max. stroke frequency: 1/min	Hose connection: mm	Item No:
VMS PO PVDF/EPDM (VMS PO dosing pump with PVDF pump head and EPDM seals.)	1	20	180	Suction side: PVC hose at 1/20, 2/18, 4/18 l/h 4 x 8 all others 4 x 6 from 15/2 l/h up 6 x 8 Discharge side: PE hose at 1/20, 2/18, 4/18 l/h 4 x 8 all others 4 x 6 from 15/2 l/h up 6 x 8	3513590
	2	15			3513591
	2	18			3513592
	4	10			3513593
	4	15			3513594
	4	18			3513595
	5	10			3513596
	5	15			3513597
	6	7			3513598
	8	4			3513599
	10	3			3513600
	10	5			3513601
	10	10			3513602
	12	5			3513603
	15	2			3513605
	16	2			3513604

Options:

Model:	Item No:
PP pump heads J and JA	8713120
PP pump heads K and KA	8713125
PVDF hose 4 x 6 mm	8913321
PVDF hose 6 x 8 mm	8913326
External level/alarm contact NO/NC	9013522

Pump heads:

Model:	Dosing capacity: l/h	Pressure range: bar	Pump head:
VMS PO	1	20	Y
	2	15	K
	2	18	K
	4	10	K
	4	15	K
	4	18	K
	5	10	K
	5	15	K
	6	7	K
	8	4	K
	10	3	K
	10	5	K
	10	10	K
	12	5	K
	15	2	K
	16	1	K

Self-venting solenoid-driven diaphragm dosing pump for precise dosing of liquid media.



Product description:

- Capacity: 0 – 13.5 l/h
- pressure range: 0 – 18 bar
- Pump head material: PVDF
 - option: PP
- Seals material: Viton®, EPDM
- Diaphragm material: PTFE
- Power supply: 230 VAC
- Alternative power supply: 115 VAC
(24 VAC, 12 VDC, 24 VDC available on request)
- Suitable for wall mounting
- Manual stroke frequency adjustment
- Inputs:
 - Level control
 - External dosing start
 - Pulses
 - 4 – 20 mA signal
 - 0 – 10 V signal
- Modes:
 - Pulse multiplication
 - Pulse division
 - Conversion of analogue input signals
 - Dosing of pre-set volumes
- Available languages: DE, EN, FR

Areas of application:

- Dosage of small and medium fluid volumes (water treatment, process industry, acids, bases, flocculants, precipitants, etc.)

Scope of supply:

- **DOSA Tec Solenoid-driven diaphragm dosing pump VMSA MF, accessory set** (foot valve, hose, hose thread, injection valve, level switch)

Ordering data:

Model:	Dosing capacity: l/h	Pressure range: bar	Max. stroke frequency: 1/min	Hose connection: mm	Item No:	
VMSA MF PVDF/Viton® (VMSA MF dosing pump with PVDF pump head and Viton® seals.)	1.0	15	180	Suction side: PVC hose at 2/18 l/h 4 x 8 all others 4 x 6 from 13/2 l/h up 6 x 8	3513700	
	2.0	10			3513701	
	2.0	18			3513702	
	3.0	15			3513703	
	3.4	10			3513704	
	4.0	7			3513705	
	5.5	4			3513706	
	7.0	3			Discharge side: PE hose at 2/18 l/h 4 x 8 all others 4 x 6 from 13/2 l/h up 6 x 8	
	7.0	10				3513707
	7.5	5				3513708
	9.0	5				3513709
	12.0	2				3513710
	12.0	2				3513711
	13.5	1			3513712	

Viton® is a registered trademark of DuPont Dow Elastomer.

Ordering data:

Model:	Dosing capacity: l/h	Pressure range: bar	Max. stroke frequency: 1/min	Hose connection: mm	Item No:
VMSA MF PVDF/EPDM (VMSA MF dosing pump with PVDF pump head and EPDM seals.)	1.0	15	180	Suction side: PVC hose at 2/18 l/h 4 x 8 all others 4 x 6 from 13/2 l/h up 6 x 8 Discharge side: PE hose at 2/18 l/h 4 x 8 all others 4 x 6 from 13/2 l/h up 6 x 8	3513720
	2.0	10			3513721
	2.0	18			3513722
	3.0	15			3513723
	3.4	10			3513724
	4.0	7			3513725
	5.5	4			3513726
	7.0	3			3513727
	7.0	10			3513728
	7.5	5			3513729
	9.0	5			3513730
	12.0	2			3513731
	13.5	1			3513732

Options:

Model:	Item No:
PP pump heads J and JA	8713120
PP pump heads K and KA	8713125
PVDF hose 4 x 6 mm	8913321
PVDF hose 6 x 8 mm	8913326
External level/alarm contact NO/NC	9013522

Pump heads:

Model:	Dosing capacity: l/h	Pressure range: bar	Pump head:
VMSA MF	1.0	15	KA
	2.0	10	KA
	2.0	18	KA
	3.0	15	KA
	3.4	10	KA
	4.0	7	KA
	5.5	4	KA
	7.0	3	KA
	7.0	10	KA
	7.5	5	KA
	9.0	5	KA
	12.0	2	KA
	13.5	1	KA

Self-venting solenoid-driven diaphragm dosing pump for precise dosing of liquid media.



Product description:

- Capacity: 0 – 13.5 l/h
- Pressure range: 0 – 18 bar
- Pump head material: PVDF
 - option: PP
- Seals material: Viton®, EPDM
- Diaphragm material: PTFE
- Power supply: 230 VAC
- Alternative power supply: 115 VAC
(24 VAC, 12 VDC, 24 VDC available on request)
- Suitable for wall mounting
- Manual stroke frequency adjustment
- Inputs:
 - Level control
 - External dosing start
 - Direct pH control, pH 0 – 14
 - Direct redox control, 0 to -1000 mV
- Mode: Proportional to the measured value, or On/Off
- Available languages: DE, EN, FR

Areas of application:

- Dosage of small and medium fluid volumes (water treatment, process industry, acids, bases, flocculants, precipitants, etc.)

Scope of supply:

- DOSA Tec Solenoid-driven diaphragm dosing pump **VMSA PO**, accessory set (foot valve, hose, hose thread, injection valve, level switch)

Ordering data:

Model:	Dosing capacity: l/h	Pressure range: bar	Max. stroke frequency: 1/min	Hose connection: mm	Item No:
VMSA PO PVDF/Viton® (VMSA PO dosing pump with PVDF pump head and Viton® seals.)	1.0	15	180	Suction side: PVC hose at 2/18 4 x 8 all others 4 x 6 from 13/2 l/h up 6 x 8	3513740
	2.0	10			3513741
	2.0	18			3513742
	3.0	15			3513743
	3.4	10			3513744
	4.0	7			3513745
	5.5	4			3513746
	7.0	3			3513747
	7.0	10			3513748
	7.5	5			3513749
	9.0	5			3513750
	12.0	2			3513751
	13.5	1			3513752

Viton® is a registered trademark of DuPont Dow Elastomer.

Ordering data:

Model:	Dosing capacity: l/h	Pressure range: bar	Max. stroke frequency: 1/min	Hose connection: mm	Item No:
VMSA PO PVDF/EPDM (VMSA PO dosing pump with PVDF pump head and EPDM seals.)	1.0	15	180	Suction side: PVC hose at 2/18 4 x 8 all others 4 x 6 from 13/2 l/h up 6 x 8 Discharge side: PE hose at 2/18 4 x 8 all others 4 x 6 from 13/2 l/h up 6 x 8	3513760
	2.0	10			3513761
	2.0	18			3513762
	3.0	15			3513763
	3.4	10			3513764
	4.0	7			3513765
	5.5	4			3513766
	7.0	3			3513767
	7.0	10			3513768
	7.5	5			3513769
	9.0	5			3513770
	12.0	2			3513771
	13.5	1			3513772

Options:

Model:	Item No:
PP pump heads J and JA	8713120
PP pump heads K and KA	8713125
PVDF hose 4 x 6 mm	8913321
PVDF hose 6 x 8 mm	8913326
External level/alarm contact NO/NC	9013522

Pump heads:

Model:	Dosing capacity: l/h	Pressure range: bar	Pump head:
VMSA PO	1.0	15	KA
	2.0	10	KA
	2.0	18	KA
	3.0	15	KA
	3.4	10	KA
	4.0	7	KA
	5.5	4	KA
	7.0	3	KA
	7.0	10	KA
	7.5	5	KA
	9.0	5	KA
	13.0	2	KA
	13.5	1	KA

3.1.51.

DOSA Tec Solenoid-driven diaphragm dosing pump T CO

Solenoid-driven diaphragm dosing pump for precise dosing of liquid media.



Product description:

- Capacity: 0 – 100 l/h
- Pressure range: 0 – 20 bar
- Pump head material: PVDF
 - option: PP, acrylic
- Seals material: Viton®, EPDM
- Diaphragm material: PTFE
- Power supply: 230 VAC
- Alternative power supply: 115 VAC
(24 VAC, 12 VDC, 24 VDC available on request)
- Manual pump head venting
- Suitable for wall mounting
- Manual stroke frequency adjustment 0 – 100 %
- Pulse scaling 1 : 10
- Available languages: DE, EN, FR

3

Areas of application:

- Dosage of small and medium fluid volumes (water treatment, process industry, acids, bases, flocculants, precipitants, etc.)

Scope of supply:

- DOSA Tec Solenoid-driven diaphragm dosing pump T CO, accessory set (foot valve, hose, hose thread, injection valve)

Ordering data:

Model:	Dosing capacity: l/h	Pressure range: bar	Max. stroke frequency: 1/min	Hose connection: mm	Item No:
T CO PVDF/Viton® (T CO dosing pump with PVDF pump head and Viton® seals)	5	20	120	Discharge side: PVDF 5 20, 4 x 6 from 15 5 up, 6 x 8 from 30 3 up, 8 x 10 PVC braided hose at 100 0, 12 x 18 Suction side: PVC 5 20, 4 x 6 from 15 5 up, 6 x 8 from 30 3 up, 8 x 10 PVC braided hose at 100 0, 12 x 18	3813003
	15	5			3813009
	20	4			3813011
	30	3			3813012
	50	1			3813013
	100	0			3813014

Viton® is a registered trademark of DuPont Dow Elastomer.

Ordering data:

Model:	Dosing capacity: l/h	Pressure range: bar	Max. stroke frequency: 1/min	Hose connection: mm	Item No:
T CO PVDF/EPDM (T CO dosing pump with PVDF pump head and EPDM seals)	5	20	120	Discharge side: PVDF 5 20 l/h, 4 x 6 from 15 5 l/h up, 6 x 8 from 30 3 l/h up, 8 x 10 PVC braided hose at 100 0, 12 x 18 Suction side: PVC 5 20 l/h, 4 x 6 from 15 5 l/h up, 6 x 8 from 30 3 l/h up, 8 x 10 PVC braided hose at 100 0 l/h, 12 x 18	3813023
	15	5			3813029
	20	4			3813031
	30	3			3813032
	50	1			3813033
	100	0			3813034

Options:

Model:	Item No:
PP pump heads L and LA	8713130
PP pump heads M and MA	8613003
PP pump heads N and NA	8613000
PP pump heads S and SA	8613001
PP pump heads T and TA	8613002
Acrylic pump head L	8913130
Acrylic pump head M	8913135
Acrylic pump head N	8913140
Acrylic pump head S	8913145
Acrylic pump head T	8913150
PVDF hose for TMS and T pump series, 5.0 l/h	8713000
PVDF hose for TMS and T pump series, 15.0 l/h	8713005
PVDF hose for TMS and T pump series, 30.0 l/h, 50 l/h	8713010

Pump heads:

Model:	Dosing capacity: l/h	Pressure range: bar	Pump head:
T CO	5	20	L
	15	5	N
	20	4	N
	30	3	S
	50	1	S
	100	0	T

Solenoid-driven diaphragm dosing pump for precise dosing of liquid media.



Product description:

- Capacity: 0 – 100 l/h
- Pressure range: 0 – 20 bar
- Pump head material: PVDF
 - option: PP, acrylic
- Seals material: Viton®, EPDM
- Diaphragm material: PTFE
- Power supply: 230 VAC
- Alternative power supply: 115 VAC
(24 VAC, 12 VDC, 24 VDC available on request)
- Manual pump head venting
- Suitable for wall mounting
- Manual stroke frequency adjustment 0 – 100 %
- Pulse scaling 1 : 10
- Level control input
- Available languages: DE, EN, FR

3

Areas of application:

- Dosage of small and medium fluid volumes (water treatment, process industry, acids, bases, flocculants, precipitants, etc.)

Scope of supply:

- **DOSA Tec T CL** Solenoid-driven diaphragm dosing pump, accessory set (foot valve, hose, hose thread, injection valve, level switch)

Ordering data:

Model:	Dosing capacity: l/h	Pressure range: bar	Max. stroke frequency: 1/min	Hose connection: mm	Item No:
T CL PVDF/Viton® (T CL dosing pump with PVDF pump head and Viton® seals.)	5	20	120	Discharge side: PVDF 5 20, 4 x 6 from 15 5 up, 6 x 8 from 30 3 up, 8 x 10 PVC braided hose at 100 0, 12 x 18	3813043
	15	5			3813049
	20	4			3813051
	30	3			3813052
	50	1			3813053
	100	0			3813054
				Suction side: PVC 5 20, 4 x 6 from 15 5 up, 6 x 8 from 30 3 up, 8 x 10 PVC braided hose at 100 0, 12 x 18	

Viton® is a registered trademark of DuPont Dow Elastomer.

Ordering data:

Model:	Dosing capacity: l/h	Pressure range: bar	Max. stroke frequency: 1/min	Hose connection: mm	Item No:
T CL PVDF/EPDM (T CL dosing pump with PVDF pump head and EPDM seals.)	5	20	120	Discharge side: PVDF 5 l 20, 4 x 6 from 15 l 5 up, 6 x 8 from 30 l 3 up, 8 x 10 PVC braided hose at 100 l 0, 12 x 18 Suction side: PVC 5 l 20, 4 x 6 from 15 l 5 up, 6 x 8 from 30 l 3 up, 8 x 10 PVC braided hose at 100 l 0, 12 x 18	3813063
	15	5			3813069
	20	4			3813071
	30	3			3813072
	50	1			3813073
	100	0			3813074

Options:

Model:	Item No:
PP pump heads L and LA	8713130
PP pump heads M and MA	8613003
PP pump heads N and NA	8613000
PP pump heads S and SA	8613001
PP pump heads T and TA	8613002
Acrylic pump head L	8913130
Acrylic pump head M	8913135
Acrylic pump head N	8913140
Acrylic pump head S	8913145
Acrylic pump head T	8913150
PVDF hose for TMS and T pump series, 5.0 l/h	8713000
PVDF hose for TMS and T pump series, 15.0 l/h	8713005
PVDF hose for TMS and T pump series, 30.0 l/h, 50 l/h	8713010
External level/alarm contact NO/NC	9013522

Pump heads:

Model:	Dosing capacity: l/h	Pressure range: bar	Pump head:
T CL	5	20	L
	15	5	N
	20	4	N
	30	3	S
	50	1	S
	100	0	T

3.1.53.

DOSA Tec Solenoid-driven diaphragm dosing pump TA CO

Self-venting solenoid-driven diaphragm dosing pump for precise dosing of liquid media.



Product description:

- Capacity: 0 – 35 l/h
- Pressure range: 0 – 20 bar
- Pump head material: PVDF
 - option: PP, acrylic
- Seals material: Viton®, EPDM
- Diaphragm material: PTFE
- Power supply: 230 VAC
- Alternative power supply: 115 VAC
(24 VAC, 12 VDC, 24 VDC available on request)
- Suitable for wall mounting
- Manual stroke frequency adjustment 0 – 100 %
- Pulse scaling 1 : 10
- Available languages: DE, EN, FR

3

Areas of application:

- Dosage of small and medium fluid volumes (water treatment, process industry, acids, bases, flocculants, precipitants, etc.)

Scope of supply:

- **DOSA Tec** Solenoid-driven diaphragm dosing pump **TA CO**, accessory set (foot valve, hose, hose thread, injection valve)

Ordering data:

Model:	Dosing capacity: l/h	Pressure range: bar	Max. stroke frequency: 1/min	Hose connection: mm	Item No:
TA CO PVDF/Viton® (TA CO dosing pump with PVDF pump head and Viton® seals.)	3.2	20	120	Discharge side: PVDF 3.2 20 l/h 4 x 6	3813250
	10.0	5		from 10 5 l/h up 6 x 8	3813251
	13.0	4		from 20 3 l/h up 8 x 10	3813252
	20.0	3		Suction side: PVC 3.2 20 l/h 4 x 6	3813253
	35.0	1		from 10 5 l/h up 6 x 8 from 20 3 l/h up 8 x 10	3813254

Viton® is a registered trademark of DuPont Dow Elastomer.

Ordering data:

Model:	Dosing capacity: l/h	Pressure range: bar	Max. stroke frequency: 1/min	Hose connection: mm	Item No:
TA CO PVDF/EPDM (TA CO dosing pump with PVDF pump head and EPDM seals.)	3.2	20	120	Discharge side: PVDF 3.2 20 l/h 4 x 6 from 10 5 l/h up 6 x 8 from 20 3 l/h up 8 x 10 Suction side: PVC 3.2 20 l/h 4 x 6 from 10 5 l/h up 6 x 8 from 20 3 l/h up 8 x 10	3813260
	10.0	5			3813261
	13.0	4			3813262
	20.0	3			3813263
	35.0	1			3813264

Options:

Model:	Item No:
PP pump heads L and LA	8713130
PP pump heads M and MA	8613003
PP pump heads N and NA	8613000
PP pump heads S and SA	8613001
PP pump heads T and TA	8613002
Acrylic pump head LA , for TMSA and TA pump series, 3.2 l/h	8913200
Acrylic pump head NA , for TMSA and TA pump series, 10 l/h	8913205
Acrylic pump head SA , for TMSA and TA pump series, 20 l/h	8913210
Acrylic pump head TA , for TMSA and TA pump series, 35 l/h	8913215
PVDF hose for TMS and T pump series, 5.0 l/h	8713000
PVDF hose for TMS and T pump series, 15.0 l/h	8713005
PVDF hose for TMS and T pump series, 30.0 l/h, 50 l/h	8713010

Pump heads:

Model:	Dosing capacity: l/h	Pressure range: bar	Pump head:
TA CO	3.2	20	LA
	10.0	5	NA
	13.0	4	NA
	20.0	3	SA
	35.0	1	TA

3.1.54.

DOSA *Tec* Solenoid-driven diaphragm dosing pump TA CL

Self-venting solenoid-driven diaphragm dosing pump for precise dosing of liquid media.



Product description:

- Capacity: 0–35 l/h
- Pressure range: 0–20 bar
- Pump head material: PVDF
 - option: PP, acrylic
- Seals material: Viton®, EPDM
- Diaphragm material: PTFE
- Power supply: 230 VAC
- Alternative power supply: 115 VAC
(24 VAC, 12 VDC, 24 VDC available on request)
- Suitable for wall mounting
- Manual stroke frequency adjustment 0–100 %
- Pulse scaling 1 : 10
- Level control input
- Available languages: DE, EN, FR

Areas of application:

- Dosage of small and medium fluid volumes (water treatment, process industry, acids, bases, flocculants, precipitants, etc.)

Scope of supply:

- DOSA *Tec* Solenoid-driven diaphragm dosing pump TA CL, accessory set (foot valve, hose, hose thread, injection valve, level switch)

Ordering data:

Model:	Dosing capacity: l/h	Pressure range: bar	Max. stroke frequency: 1/min	Hose connection: mm	Item No:
TA CL PVDF/Viton® (TA CL dosing pump with PVDF pump head and Viton® seals.)	3.2	20	120	Discharge side: PVDF 3.2 20, 4 x 6 from 10 5 up, 6 x 8 from 20 3 up, 8 x 10 Suction side: PVC 3.2 20, 4 x 6 from 10 5 up, 6 x 8 from 20 3 up, 8 x 10	3813270
	10.0	5			3813271
	13.0	4			3813272
	20.0	3			3813273
	35.0	1			3813274

Viton® is a registered trademark of DuPont Dow Elastomer.

Ordering data:

Model:	Dosing capacity: l/h	Pressure range: bar	Max. stroke frequency: 1/min	Hose connection: mm	Item No:
TA CL PVDF/EPDM (TA CL dosing pump with PVDF pump head and EPDM seals)	3.2	20	120	Discharge side: PVDF 3.2 20 l/h 4 x 6 from 10 5 l/h up, 6 x 8 from 20 3 l/h up, 8 x 10 Suction side: PVC 3.2 20 l/h 4 x 6 from 10 5 l/h up, 6 x 8 from 20 3 l/h up, 8 x 10	3813280
	10.0	5			3813281
	13.0	4			3813282
	20.0	3			3813283
	35.0	1			3813284

Options:

Model:	Item No:
PP pump heads L and LA	8713130
PP pump heads M and MA	8613003
PP pump heads N and NA	8613000
PP pump heads S and SA	8613001
PP pump heads T and TA	8613002
Acrylic pump head LA, for TMSA and TA pump series, 3.2 l/h	8913200
Acrylic pump head NA, for TMSA and TA pump series, 10 l/h	8913205
Acrylic pump head SA, for TMSA and TA pump series, 20 l/h	8913210
Acrylic pump head TA, for TMSA and TA pump series, 35 l/h	8913215
PVDF hose for TMS and T pump series, 5.0 l/h	8713000
PVDF hose for TMS and T pump series, 15.0 l/h	8713005
PVDF hose for TMS and T pump series, 30.0 l/h, 50 l/h	8713010
External level/alarm contact NO/NC	9013522

Pump heads:

Model:	Dosing capacity: l/h	Pressure range: bar	Pump head:
TA CL	3.2	20	LA
	10.0	5	NA
	13.0	4	NA
	20.0	3	SA
	35.0	1	TA

Solenoid-driven diaphragm dosing pump for precise dosing of liquid media.



Product description:

- Capacity: 0 – 100 l/h,
- Pressure range: 0 – 20 bar
- Pump head material: Viton®
 - option: PP, acrylic
- Seals material: Viton®, EPDM
- Diaphragm material: PTFE
- Power supply: 230 VAC
- Alternative power supply: 115 VAC
(24 VAC, 12 VDC, 24 VDC available on request)
- Manual pump head venting
- Suitable for wall mounting
- Manual stroke frequency adjustment
- Inputs:
 - Level control
 - External dosing start
 - Pulses
 - 4 – 20 mA signal
 - 0 – 10 V signal
- Alarm output
- Modes:
 - Pulse multiplication
 - Pulse division
 - Conversion of analogue input signals
 - Dosing of pre-set volumes
- Available languages: DE, EN, FR

3

Areas of application:

- Dosage of small and medium fluid volumes (water treatment, process industry, acids, bases, flocculants, precipitants, etc.)

Scope of supply:

- DOSA Tec Solenoid-driven diaphragm dosing pump TMS MF, accessory set (foot valve, hose, hose thread, injection valve, level switch)

Ordering data:

Model:	Dosing capacity: l/h	Pressure range: bar	Max. stroke frequency: 1/min	Hose connection: mm	Item No:
TMS MF PVDF/Viton® (TMS MF dosing pump with PVDF pump head and Viton® seals.)	5	20	120	Discharge side: PVDF 5 20 l/h 4 x 6 from 15 5 l/h up 6 x 8 from 30 3 l/h up 8 x 10 PVC braided hose at 100 0 0 l/h 12 x 18	3813323
	15	5			3813329
	20	4			3813331
	30	3			3813332
	50	1			3813333
	100	0			3813334
Viton® is a registered trademark of DuPont Dow Elastomer.				Suction side: PVC 5 20 l/h 4 x 6 from 15 5 l/h up 6 x 8 from 30 3 l/h up 8 x 10 PVC braided hose at 100 0 0 l/h 12 x 18	

Subject to technical modifications and printing errors. Images may vary slightly from actual product.
10.05.2021

Ordering data:

Model:	Dosing capacity: l/h	Pressure range: bar	Max. stroke frequency: 1/min	Hose connection: mm	Item No:
TMS MF PVDF/EPDM (TMS MF dosing pump with PVDF pump head and EPDM seals.)	5	20	120	Discharge side: PVDF 5 20 4 x 6 from 15 5 up 6 x 8 from 30 3 up 8 x 10 PVC braided hose at 100 0 12 x 18 Suction side: PVC 5 20, 4 x 6 from 15 5 up 6 x 8 from 30 3 up 8 x 10 PVC braided hose at 100 0 12 x 18	3813343
	15	5			3813349
	20	4			3813351
	30	3			3813352
	50	1			3813353
	100	0			3813354

Options:

Model:	Item No:
PP pump heads L and LA	8713130
PP pump heads M and MA	8613003
PP pump heads N and NA	8613000
PP pump heads S and SA	8613001
PP pump heads T and TA	8613002
Acrylic pump head L	8913130
Acrylic pump head M	8913135
Acrylic pump head N	8913140
Acrylic pump head S	8913145
Acrylic pump head T	8913150
PVDF hose for TMS and T pump series, 5.0 l/h	8713000
PVDF hose for TMS and T pump series, 15.0 l/h	8713005
PVDF hose for TMS and T pump series, 30.0 l/h, 50 l/h	8713010

Pump heads:

Model:	Dosing capacity: l/h	Pressure range: bar	Pump head:
TMS MF	5	20	L
	15	5	N
	20	4	N
	30	3	S
	50	1	S
	100	0	T

3.1.56.

DOSA *Tec* Solenoid-driven diaphragm dosing pump TMS PH

Solenoid-driven diaphragm dosing pump for precise dosing of liquid media.



Product description:

- Capacity: 0 – 100 l/h
- Pressure range: 0 – 20 bar
- Pump head material: PVDF
 - option: PP, acrylic
- Seals material: Viton®, EPDM
- Diaphragm material: PTFE
- Power supply: 230 VAC
- Alternative power supply: 115 VAC
(24 VAC, 12 VDC, 24 VDC available on request)
- Manual pump head venting
- Suitable for wall mounting
- Manual stroke frequency adjustment
- Inputs:
 - Level control
 - External dosing start
 - Direct pH control, pH 0 – 14
- Output for alarm message (option)
- Conversion of analogue input signals
- Available languages: DE, EN, FR

Areas of application:

- Dosage of small and medium fluid volumes (water treatment, process industry, acids, bases, flocculants, precipitants, etc.)

Scope of supply:

- DOSA *Tec* Solenoid-driven diaphragm dosing pump TMS PH, accessory set (foot valve, hose, hose thread, injection valve, level switch)

Ordering data:

Model:	Dosing capacity: l/h	Pressure range: bar	Max. stroke frequency: 1/min	Hose connection: mm	Item No:
TMS PH PVDF/Viton® (TMS PH dosing pump with PVDF pump head and Viton® seals.)	5	20	120	Discharge side: PVDF 5 20 l/h 4 x 6 from 15 5 l/h up 6 x 8 from 30 3 l/h up 8 x 10 PVC braided hose at 100 0 l/h 12 x 18	3813363
	15	5			3813369
	20	4			3813371
	30	3			3813372
	50	1			3813373
	100	0			3813374
				Suction side: PVC 5 20 l/h 4 x 6 from 15 5 up 6 x 8 from 30 3 up 8 x 10 PVC braided hose at 100 0 l/h 12 x 18	

Viton® is a registered trademark of DuPont Dow Elastomer.

Ordering data:

Model:	Dosing capacity: l/h	Pressure range: bar	Max. stroke frequency: 1/min	Hose connection: mm	Item No:
TMS PH PVDF/EPDM (TMS PH dosing pump with PVDF pump head and EPDM seals.)	5	20	120	Discharge side: PVDF 5 l 20 l/h 4 x 6 from 15 l 5 l/h up 6 x 8 from 30 l 3 l/h up 8 x 10 PVC braided hose at 100 l 0 l/h 12 x 18 Suction side: PVC 5 l 20 l/h 4 x 6 from 15 l 5 l/h 6 x 8 from 30 l 3 l/h up 8 x 10 PVC braided hose at 100 l 0 l/h 12 x 18	3813383
	15	5			3813389
	20	4			3813391
	30	3			3813392
	50	1			3813393
	100	0			3813394

Options:

Model:	Item No:
PP pump heads L and LA	8713130
PP pump heads M and MA	8613003
PP pump heads N and NA	8613000
PP pump heads S and SA	8613001
PP pump heads T and TA	8613002
Acrylic pump head L	8913130
Acrylic pump head M	8913135
Acrylic pump head N	8913140
Acrylic pump head S	8913145
Acrylic pump head T	8913150
PVDF hose for TMS and T pump series, 5.0 l/h	8713000
PVDF hose for TMS and T pump series, 15.0 l/h	8713005
PVDF hose for TMS and T pump series, 30.0 l/h, 50 l/h	8713010
External level/alarm contact NO/NC	9013522

Pump heads:

Model:	Dosing capacity: l/h	Pressure range: bar	Pump head:
TMS PH	5	20	L
	15	5	N
	20	4	N
	30	3	S
	50	1	S
	100	0	T

3.1.57.

DOSA Tec Solenoid-driven diaphragm dosing pump TMS RH

Solenoid-driven diaphragm dosing pump for precise dosing of liquid media.



Product description:

- Capacity: 0 – 100 l/h
- Pressure range: 0 – 20 bar
- Pump head material: PVDF
 - option: PP, acrylic
- Seals material: Viton®, EPDM
- Diaphragm material: PTFE
- Power supply: 230 VAC
- Alternative power supply: 115 VAC
(24 VAC, 12 VDC, 24 VDC available on request)
- Manual pump head venting
- Suitable for wall mounting
- Manual stroke frequency adjustment
- Inputs:
 - Level control
 - External dosing start
 - Direct redox control, 0 – 1000 mV
- Output for alarm message (option)
- Mode: proportional to the measured value, or On/Off
- Available languages: DE, EN, FR

3

Areas of application:

- Dosage of small and medium fluid volumes (water treatment, process industry, acids, bases, flocculants, precipitants, etc.)

Scope of supply:

- DOSA Tec Solenoid-driven diaphragm dosing pump TMS RH, accessory set (foot valve, hose, hose thread, injection valve, level switch)

Ordering data:

Model:	Dosing capacity: l/h	Pressure range: bar	Max. stroke frequency: 1/min	Hose connection: mm	Item No:
TMS RH PVDF/Viton® (TMS RH dosing pump with PVDF pump head and Viton® seals.)	5	20	120	Discharge side: PVDF 5 20 l/h 4 x 6 from 15 5 l/h up 6 x 8 from 30 3 l/h up 8 x 10 PVC braided hose at 100 0 l/h 12 x 18	3813403
	15	5			3813409
	20	4			3813411
	30	3			3813412
	50	1			3813413
	100	0			3813414
				Suction side: PVC 5 20 l/h 4 x 6 from 15 5 l/h up 6 x 8 from 30 3 l/h up 8 x 10 PVC braided hose at 100 0 l/h 12 x 18	

Viton® is a registered trademark of DuPont Dow Elastomer.

Ordering data:

Model:	Dosing capacity: l/h	Pressure range: bar	Max. stroke frequency: 1/min	Hose connection: mm	Item No:
TMS RH PVDF/EPDM (TMS RH dosing pump with PVDF pump head and EPDM seals.)	5	20	120	Discharge side: PVDF 5 20 l/h 4 x 6 from 15 5 l/h up 6 x 8 from 30 3 l/h up 8 x 10 PVC braided hose at 100 0 l/h 12 x 18 Suction side: PVC 5 20 l/h 4 x 6 from 15 5 l/h up 6 x 8 from 30 3 l/h up 8 x 10 PVC braided hose at 100 0 l/h 12 x 18	3813423
	15	5			3813429
	20	4			3813431
	30	3			3813432
	50	1			3813433
	100	0			3813434

Options:

Model:	Item No:
PP pump heads L and LA	8713130
PP pump heads M and MA	8613003
PP pump heads N and NA	8613000
PP pump heads S and SA	8613001
PP pump heads T and TA	8613002
Acrylic pump head L	8913130
Acrylic pump head M	8913135
Acrylic pump head N	8913140
Acrylic pump head S	8913145
Acrylic pump head T	8913150
PVDF hose for TMS and T pump series, 5.0 l/h	8713000
PVDF hose for TMS and T pump series, 15.0 l/h	8713005
PVDF hose for TMS and T pump series, 30.0 l/h, 50 l/h	8713010
External level/alarm contact NO/NC	9013522

Pump heads:

Model:	Dosing capacity: l/h	Pressure range: bar	Pump head:
TMS RH	5	20	L
	15	5	N
	20	4	N
	30	3	S
	50	1	S
	100	0	T

3.1.58.

DOSA *Tec* Solenoid-driven diaphragm dosing pump TMSA MF

Self-venting solenoid-driven diaphragm dosing pump for precise dosing of liquid media.



Product description:

- Capacity: 0–35 l/h
- Pressure range: 0–20 bar
- Pump head material: PVDF
 - option: PP, acrylic
- Seals material: Viton®, EPDM
- Diaphragm material: PTFE
- Power supply: 230 VAC
- Alternative power supply: 115 VAC
(24 VAC, 12 VDC, 24 VDC available on request)
- Suitable for wall mounting
- Inputs:
 - Level control
 - External dosing start
 - Pulses
 - 4–20 mA signal
 - 0–10 V signal
- Alarm output
- Modes:
 - Pulse multiplication
 - Pulse division
 - Conversion of analogue input signals
 - Dosing of pre-set volumes
- Available languages: DE, EN, FR

Areas of application:

- Dosage of small and medium fluid volumes (water treatment, process industry, acids, bases, flocculants, precipitants, etc.)

Scope of supply:

- DOSA *Tec* Solenoid-driven diaphragm dosing pump TMSA MF, accessory set (foot valve, hose, hose thread, injection valve, level switch)

Ordering data:

Model:	Dosing capacity: l/h	Pressure range: bar	Max. stroke frequency: 1/min	Hose connection: mm	Item No:
TMSA MF PVDF/Viton® (TMSA MF dosing pump with PVDF pump head and Viton® seals)	3.2	20	120	Discharge side: PVDF 3.2 20 l/h 4 x 6 from 10 5 l/h up 6 x 8 from 20 3 l/h up 8 x 10	3813300
	10.0	5			3813301
	13.0	4			3813302
	20.0	3			3813303
	35.0	1			3813304
				Suction side: PVC 3.2 20 l/h 4 x 6 from 10 5 l/h up 6 x 8 from 20 3 l/h up 8 x 10	

Viton® is a registered trademark of DuPont Dow Elastomer.

Ordering data:

Model:	Dosing capacity: l/h	Pressure range: bar	Max. stroke frequency: 1/min	Hose connection: mm	Item No:
TMSA MF PVDF/EPDM (TMSA MF dosing pump with PVDF pump head and EPDM seals.)	3.2	20	120	Discharge side: PVDF 3.2 20 l/h 4 x 6 from 10 5 l/h up 6 x 8 from 20 3 l/h up 8 x 10 Suction side: PVC 3.2 20 l/h 4 x 6 from 10 5 l/h up 6 x 8 from 20 3 l/h up 8 x 10	3813310
	10.0	5			3813311
	13.0	4			3813312
	20.0	3			3813313
	35.0	1			3813314

3

Options:

Model:	Item No:
PP pump heads L and LA	8713130
PP pump heads M and MA	8613003
PP pump heads N and NA	8613000
PP pump heads S and SA	8613001
PP pump heads T and TA	8613002
Acrylic pump head LA , for TMSA and TA pump series, 3.2 l/h	8913200
Acrylic pump head NA , for TMSA and TA pump series, 10 l/h	8913205
Acrylic pump head SA , for TMSA and TA pump series, 20 l/h	8913210
Acrylic pump head LA , for TMSA and TA pump series, 35 l/h	8913215
PVDF hose for TMS and T pump series, 5.0 l/h	8713000
PVDF hose for TMS and T pump series, 15.0 l/h	8713005
PVDF hose for TMS and T pump series, 30.0 l/h, 50 l/h	8713010

Pump heads:

Model:	Dosing capacity: l/h	Pressure range: bar	Pump head:
TMSA MF	3.2	20	LA
	10.0	5	NA
	13.0	4	NA
	20.0	3	SA
	35.0	1	TA

3.1.59.

DOSA *Tec* Solenoid-driven diaphragm dosing pump TMSA PH

Self-venting solenoid-driven diaphragm dosing pump for precise dosing of liquid media.



Product description:

- Capacity: 0–35 l/h
- Pressure range: 0–20 bar
- Pump head material: PVDF
 - option: PP, acrylic
- Seals material: Viton®, EPDM
- Diaphragm material: PTFE
- Power supply: 230 VAC
- Alternative power supply: 115 VAC
(24 VAC, 12 VDC, 24 VDC available on request)
- Suitable for wall mounting
- Manual stroke frequency adjustment
- Inputs:
 - Level control
 - External dosing start
 - Direct pH control, pH 0–14
- Alarm output (option)
- Conversion of analogue input signals
- Available languages: DE, EN, FR

Areas of application:

- Dosage of small and medium fluid volumes (water treatment, process industry, acids, bases, flocculants, precipitants, etc.)

Scope of supply:

- DOSA *Tec* Solenoid-driven diaphragm dosing pump TMSA PH, accessory set (foot valve, hose, hose thread, injection valve, level switch)

Ordering data:

Model:	Dosing capacity: l/h	Pressure range: bar	Max. stroke frequency: 1/min	Hose connection: mm	Item No:
TMSA PH PVDF/Viton® (TMSA PH dosing pump with PVDF pump head and Viton® seals.)	3.2	20	120	Discharge side: PVDF 3.2 l 20 l/h 4 x 6 from 10 l 5 l/h up 6 x 8 from 20 l 3 l/h up 8 x 10 Suction side: PVC 3.2 l 20 l/h 4 x 6 from 10 l 5 l/h up 6 x 8 from 20 l 3 l/h up 8 x 10	3813450
	10.0	5			3813451
	13.0	4			3813452
	20.0	3			3813453
	35.0	1			3813454

Viton® is a registered trademark of DuPont Dow Elastomer.

Ordering data:

Model:	Dosing capacity: l/h	Pressure range: bar	Max. stroke frequency: 1/min	Hose connection: mm	Item No:
TMSA PH PVDF/EPDM (TMSA PH dosing pump with PVDF pump head and EPDM seals.)	3.2	20	120	Discharge side: PVDF 3.2 20 l/h 4 x 6 from 10 5 l/h up 6 x 8 from 20 3 l/h up 8 x 10 Suction side: PVC 3.2 20 l/h 4 x 6 from 10 5 l/h up 6 x 8 from 20 3 l/h up 8 x 10	3813460
	10.0	5			3813461
	13.0	4			3813462
	20.0	3			3813463
	35.0	1			3813464

3

Options:

Model:	Item No:
PP pump heads L and LA	8713130
PP pump heads M and MA	8613003
PP pump heads N and NA	8613000
PP pump heads S and SA	8613001
PP pump heads T and TA	8613002
Acrylic pump head LA , for TMSA and TA pump series, 3.2 l/h	8913200
Acrylic pump head NA , for TMSA and TA pump series, 10 l/h	8913205
Acrylic pump head SA , for TMSA and TA pump series, 20 l/h	8913210
Acrylic pump head LA , for TMSA and TA pump series, 35 l/h	8913215
PVDF hose for TMS and T pump series, 5.0 l/h	8713000
PVDF hose for TMS and T pump series, 15.0 l/h	8713005
PVDF hose for TMS and T pump series, 30.0 l/h, 50 l/h	8713010
External level/alarm contact NO/NC	9013522

Pump heads:

Model:	Dosing capacity: l/h	Pressure range: bar	Pump head:
TMSA PH	3.2	20	LA
	10.0	5	NA
	13.0	4	NA
	20.0	3	SA
	35.0	1	TA

3.1.60.

DOSA Tec Solenoid-driven diaphragm dosing pump TMSA RH

Self-venting solenoid-driven diaphragm dosing pump for precise dosing of liquid media.



Product description:

- Capacity: 0–35 l/h
- Pressure range: 0–20 bar
- Pump head material: PVDF
 - option: PP, acrylic
- Seals material: Viton®, EPDM
- Diaphragm material: PTFE
- Power supply: 230 VAC
- Alternative power supply: 115 VAC
(24 VAC, 12 VDC, 24 VDC available on request)
- Suitable for wall mounting
- Manual stroke frequency adjustment
- Inputs:
 - Level control
 - External dosing start
 - Direct redox control, 0–1000 mV
- Alarm output (option)
- Conversion of analogue input signals
- Available languages: DE, EN, FR

Areas of application:

- Dosage of small and medium fluid volumes (water treatment, process industry, acids, bases, flocculants, precipitants, etc.)

Scope of supply:

- **DOSA Tec** Solenoid-driven diaphragm dosing pump **TMSA RH**, accessory set (foot valve, hose, hose thread, injection valve, level switch)

Ordering data:

Model:	Dosing capacity: l/h	Pressure range: bar	Max. stroke frequency: 1/min	Hose connection: mm	Item No:
TMSA RH PVDF/Viton® (TMSA RH dosing pump with PVDF pump head and Viton® seals.)	3.2	20	120	Discharge side: PVDF 3.2 20 l/h 4 x 6 from 10 5 l/h up 6 x 8 from 20 3 l/h up 8 x 10	3813900
	10.0	5			3813901
	13.0	4			3813902
	20.0	3			3813903
	35.0	1			3813904
				Suction side: PVC 3.2 20 l/h 4 x 6 from 10 5 l/h up 6 x 8 from 20 3 l/h up 8 x 10	

Viton® is a registered trademark of DuPont Dow Elastomer.

Ordering data:

Model:	Dosing capacity: l/h	Pressure range: bar	Max. stroke frequency: 1/min	Hose connection: mm	Item No:
TMSA RH PVDF/EPDM (TMSA RH dosing pump with PVDF pump head and EPDM seals.)	3.2	20	120	Discharge side: PVDF 3.2 20 l/h 4 x 6 from 10 5 l/h up 6 x 8 from 20 3 l/h up 8 x 10 Suction side: PVC 3.2 20 l/h 4 x 6 from 10 5 l/h up 6 x 8 from 20 3 l/h up 8 x 10	3813910
	10.0	5			3813911
	13.0	4			3813912
	20.0	3			3813913
	35.0	1			3813914

3

Options:

Model:	Item No:
PP pump heads L and LA	8713130
PP pump heads M and MA	8613003
PP pump heads N and NA	8613000
PP pump heads S and SA	8613001
PP pump heads T and TA	8613002
Acrylic pump head LA , for TMSA and TA pump series, 3.2 l/h	8913200
Acrylic pump head NA , for TMSA and TA pump series, 10 l/h	8913205
Acrylic pump head SA , for TMSA and TA pump series, 20 l/h	8913210
Acrylic pump head LA , for TMSA and TA pump series, 35 l/h	8913215
PVDF hose for TMS and T pump series, 5.0 l/h	8713000
PVDF hose for TMS and T pump series, 15.0 l/h	8713005
PVDF hose for TMS and T pump series, 30.0 l/h, 50 l/h	8713010
External level/alarm contact NO/NC	9013522

Pump heads:

Model:	Dosing capacity: l/h	Pressure range: bar	Pump head:
TMSA RH	3.2	20	LA
	10.0	5	NA
	13.0	4	NA
	20.0	3	SA
	35.0	1	TA



3. Dosing technology

3.2. Peristaltic Pumps

3.2.1.

DOSA Tec Peristaltic pump DOSAFlex

Pump with directly coupled stepper motor, < 35 dB.



Product description:

- LCD display
- Operating modes:
 - mA Mode (proportional dosing by current signal 4–20 mA
 - or 20–4 mA)
 - Manual mode, Ton/Toff (constant dosing)
 - ppm mode (dosing according to concentration calculations)
 - Batch mode (dosing according to container level)
 - 1 : N (increase in dosing rate) or N : 1 mode (decrease in dosing rate)
- Level detector
- Alarm output as relay
- Power supply: 110–240 V

3

Areas of application:

- Continuous, volume-controlled dosing, e.g. in swimming pools (flocculants, activated carbon, chemical additives).
- Processes with low outlet pressure, e.g. dosing in galvanic.
- Baths and settling tanks.

Scope of supply:

- DOSA Tec Peristaltic pump DOSAFlex, optional installation kit (see options)

Ordering data:

Type:	Dosing capacity: l/h	Pressure range: bar	Suction lift meter	Hose connection: mm	Item number:
DOSA Flex 2	0.002–2.000	3	1	Union-nut 4 x 6 mm	3486000
DOSA Flex 10	0.010–10.000	2			3486010

Options:

Type:	Item number:
Injection valve IVN ½", 4 x 6 mm, PVDF, Viton® (seals); foot valve, axial type ½" with filter and weight, 4 x 6 mm, PVDF; suction hose PVC, 4 x 6 mm; PE dosing hose, 4 x 6 mm	8988210
Injection valve IVN ½", 4 x 6 mm, PVDF, EPDM (seals); foot valve, axial type ½" with filter and weight, 4 x 6 mm, EPDM; suction hose PVC, 4 x 6 mm; PE dosing hose, 4 x 6 mm	8988220

Spare parts:

Type:	Dosing capacity:	Item number:
Replacement peristaltic hose, Norpren	2.0 l/h, 3 bar	9086600
Replacement peristaltic hose, Viton®	10 l/h, 2 bar	9086605
Replacement peristaltic hose, PharMed	10 l/h, 2 bar	9086610

Viton® is the registered trademark for DuPont Dow Elastomer.

Subject to technical modifications and printing errors. Images may vary slightly from actual product.

15.04.2019

3.2.2.

DOSA*Tec* Peristaltic pump DOSA*Flex* pH-Rx

Capacity range up to 3 l/h, including pH or Redox-Regulation.



Product description:

- LCD hermoplastic hose
- Self-priming
- integrated electronic controller for measuring and regulation of pH and Redox value (accessories will be needed: sensors, flow cell, filter)
- pH-range: 4–9
- Rx (ORP) range: -300 to +900 mV
- Set Point adjustment
- Over alarm, indicates an overdose situation
- Level switch input
- Power supply: 230 V

Areas of application:

- Domestic, small swimming pools and wellness centres.

Scope of supply:

- DOSA*Tec* Peristaltic pump DOSA*Flex*, optional installation kit (see options)

Ordering data:

Type:	Dosing capacity: l/h	Pressure range: bar	Suction lift meter	Hose connection: mm	Item number:
DOSA <i>Flex</i> pH-Rx	1.5	1.5	1	4 x 7	40113405
	3.0	1.5			40113400
	2.0	2.0		4,8 x 9,6	40113410
	3.0	3.0			40113415

Options:

Type:	Item number:
Injection valve IVN ½", 4 x 6 mm, PVDF, Viton® (seals); foot valve, axial type ½" with filter and weight, 4 x 6 mm, PVDF; suction hose PVC, 4 x 6 mm; PE dosing hose, 4 x 6 mm	8988210
Injection valve IVN ½", 4 x 6 mm, PVDF, EPDM (seals); foot valve, axial type ½" with filter and weight, 4 x 6 mm, EPDM; suction hose PVC, 4 x 6 mm; PE dosing hose, 4 x 6 mm	8988220

Spare parts:

Type:	Dosing capacity:	Item number:
Replacement peristaltic hose for DOSA <i>Tec</i> Flex-ph/Rx	1,5 l/h against 1,5 bar; 3,0 l/h gegen 1,5 bar	90113200
Replacement peristaltic hose for DOSA <i>Tec</i> Flex-ph/Rx	2,0 l/h against 2,0 bar; 3,0 l/h gegen 3,0 bar	90113201

Viton® is the registered trademark for DuPont Dow Elastomer.

Subject to technical modifications and printing errors. Images may vary slightly from actual product.
14.08.2018



3. Dosing technology

3.3. Motorised diaphragm dosing pumps

3.3.1.

DOSA *Tec* PRISMA stepper motor-driven diaphragm dosing pump



Stepper motor-driven diaphragm dosing pump for ultra-precise dosing of liquid media. The turndown ratio of 1:4800 ensures precise and uniform dosing. The slow-motion mode enables dosing of higher viscosity media up to 10,000 CPS.

Product description:

- Capacity: 0 - 80 l/h
- Pressure range: 0 - 25 bar
- Slow-motion mode: 100 % - 1 %
- Pump head material: PVDF, PP, SS (AISI 316), acrylic (PMMA)
- Seal material: Viton®, EPDM, nitrile, PTFE
- Diaphragm material: PTFE
- Power supply: 90 - 240 V AC, 50/60 Hz, 9 - 36 V DC (optional)
- Manual pump head priming valve
- Suitable for mounting on a base
- Multifunction input for/to:
 - Level signal (with pre-alarm)
 - Pulse input (water meter), ppm mode, %, mlq, mA, V, pulse
 - mA (0/4 - 20 mA) for external control of the stroke frequency (power)
 - Power input (0 - 10 V) for external control of the stroke frequency (power)
 - Start contact for BATCH mode
 - External dosing start
- Outputs:
 - Alarm (relay free contact, N.O./N.C, max. 250 V AC, 2 A)
 - RS485 or Modbus (optional), for integration into a process control system (slave), optional
 - mA output, optional
- Languages available: DE, EN, FR, IT, ES

Areas of application:

- Dosage of small and medium fluid volumes: Water treatment, process industry, acids, alkalis, flocculants, precipitants, dosing of higher viscosity media up to 10,000 CPS), etc.

Scope of supply:

- DOSA *Tec* Prisma stepper motor-driven diaphragm dosing pump, set of accessories (foot valve with level switch and 2.5 m power cable with BNC plug, injection valve, pressure and suction hose*, hose fitting, vent hose*, 3-pole signal cable* (alarm); (* 2 m each), 5-pole signal cable for universal signal input „INPUT“, standby input and external start (1.5 m), other small parts).

Ordering data:

Model:	Dosing capacity: l/h	Pressure range: bar	Max. stroke frequency: 1/min	Watt:	Hose connection: mm	Item No.:	
Prisma PVDF/viton® (Prisma dosing pump with PVDF pump head and Viton® seals)	2	25	180	30	4 x 6	4013101	
	5	20				4013102	
	7,5	16				4013103	
	13	10			6 x 8	4013104	
	20	7				4013105	
	28	5			suction side: 8 x 12	4013106	
	50	4				discharge side: 8 x 10	4013107
	80	2					4013108

Viton® ist das eingetragene Warenzeichen von DuPont Dow Elastomer.

Reagent list:

Model:	Dosing capacity: l/h	Pressure range: bar	Max. stroke frequency: 1/min	Watt:	Hose connection: mm	Item No.:						
Prisma PVDF/EPDM (Prisma dosing pump with PVDF pump head and EPDM seals)	2	25	180	30	4 x 6	4013121						
	5	20				4013122						
	7,5	16				4013123						
	13	10			6 x 8	4013124						
	20	7				4013125						
	28	5			suction side:	4013126						
	50	4				8 x 12	4013127					
	80	2				discharge side: 8 x 10	4013128					
Prisma PVDF/viton® (Prisma dosing pump with PP pump head and Viton® seals)	2	25			180	30	4 x 6	4013141				
	5	20						4013142				
	7,5	16						4013143				
	13	10					6 x 8	4013144				
	20	7						4013145				
	28	5					suction side:	4013146				
	50	4						8 x 12	4013147			
	80	2						discharge side: 8 x 10	4013148			
Prisma PP/EPDM (Prisma dosing pump with PP pump head and EPDM seals)	2	25					180	30	4 x 6	4013161		
	5	20								4013162		
	7,5	16								4013163		
	13	10							6 x 8	4013164		
	20	7								4013165		
	28	5							suction side:	4013166		
	50	4								8 x 12	4013167	
	80	2								discharge side: 8 x 10	4013168	
Prisma Acryl (PMMA)/Viton® (Prisma dosing pump with acrylic (PMMA) pump head and Viton® seals)	1	20							180	30	4 x 6	4013180
	2	25										4013181
	5	20										4013182
	7,5	16									4013183	
	13	10	6 x 8	4013184								
	20	7		4013185								
	28	5	suction side:	4013186								
	50	4		8 x 12							4013187	
80	2	discharge side: 8 x 10		4013188								
Prisma Acryl (PMMA)/EPDM (Prisma dosing pump with acrylic (PMMA) pump head and EPDM seals)	1	20	180	30							4 x 6	4013200
	2	25										4013201
	5	20										4013202
	7,5	16			4013203							
	13	10			6 x 8	4013204						
	20	7				4013205						
	28	5			suction side:	4013206						
	50	4				8 x 12					4013207	
80	2	discharge side: 8 x 10				4013208						

Reagent list:

Model:	Dosing capacity: l/h	Pressure range: bar	Max. stroke frequency: 1/min	Watt:	Hose connection: mm	Item No.:
Prisma SS (AISI 316)/4iton® (Prisma dosing pump with SS (AISI 316) pump head and Viton® seals)	2	25	180	30	4 x 6	Available on request
	5	16				
	7,5	10				
	13	7				
	20	5				
	28	4				
	50	3				
	80	20				
Prisma SS (AISI 316)/EPDM (Prisma dosing pump with SS (AISI 316) pump head and EPDM seals)	2	25	180	30	4 x 6	Available on request
	5	20				
	7,5	16				
	13	10				
	20	7				
	28	5				
	50	4				
	80	2				

3

Optionen:

Typ:	Artikelnummer:
Diaphragm made of nitrile or PTFE on request	Available on request
mA output	Available on request
RS485 output	Available on request
Modbus output	Available on request



3. Dosing technology

3.4. Motorised diaphragm dosing pumps

3.4.1.

DOSA*Tec* Motorised diaphragm dosing pump FM-50

High dosing accuracy and robust technology with a vertically mounted electric motor.



Product description:

- Capacity: 4.5–47 l/h
- Pressure range: 5–10 bar
- Max. dosing fluid temperature:
 - PP, PVC: 40 °C
 - Stainless steel AISI 316: 60 °C
- Seals: Viton®, EPDM
- Stroke frequency 0–116 per min
- Dosing head, electively: PP, PVC, PVDF, stainless steel AISI 316
- Valves, electively: PP, PVC, PVDF, stainless steel AISI 316
- Valve balls: Pyrex®, stainless steel AISI 316
- Membrane: PTFE

3

Areas of application:

- Constant dosing without a controller.
- Water treatment, process technology, wastewater treatment.

Scope of supply:

- DOSA*Tec* FM-50 Motorised diaphragm dosing pump, with selected options, see codes -11, -12, -13, -16, -23, (the gear is already filled with grease)

Technical data:

Type:			
Stroke adjustment	Infinitely variable from 0–100 %, manual		
Standard reduction gear	+		
Motor rating	0.18 kW		
Power supply	three phase 230/400 VAC, 50/60* Hz (single phase 230/240 VAC, 50/60 Hz* also available as an option)		
Type: Coded with end number e.g: FM-50-11	Pump head:	Valve balls:	Valve seats:
11	Stainless steel AISI 316:	Stainless steel AISI 316	Stainless steel AISI 316
12	PP	Pyrex®	PP
13	PVC	Pyrex®	PVC
16	PVC	SS 316	PVC
23	PVDF	Pyrex®	PVDF

Viton® is the registered trademark for DuPont Dow Elastomer.

Subject to technical modifications and printing errors. Images may vary slightly from actual product.
07.02.2022

Ordering data:

Type:	Dosing capacity: l/h	Pressure range: bar	Stroke volume: ml/stroke	Stroke frequency: 1/min.	Membrane: Ø mm	Hose connection: inches	Item number:
FM-50-30-11	4.5	10	1.83	41	30	½	3712020
	7.0		2.01	58			3712021
	9.5		1.93	82			3712022
	14.0		2.01	116			3712023
FM-50-30-12	4.5		1.83	41			3712025
	7.0		2.01	58			3712026
	9.5		1.93	82			3712027
	14.0		2.01	116			3712028
FM-50-30-13	4.5		1.83	41			3712030
	7.0		2.01	58			3712031
	9.5		1.93	82			3712032
	14.0		2.01	116			3712033
FM-50-30-16	4.5		1.83	41			3712040
	7.0		2.01	58			3712041
	9.5		1.93	82			3712042
	14.0		2.01	116			3712043
FM-50-30-23	4.5	1.83	41	3712035			
	7.0	2.01	58	3712036			
	9.5	1.93	82	3712037			
	14.0	2.01	116	3712038			
FM-50-50-11	17.0	5	6.91	41	50	½	3712010
	23.0		6.61	58			3712011
	34.0		6.91	82			3712012
	47.0		6.75	116			3712013
FM-50-50-12	17.0		6.91	41			3712000
	23.0		6.61	58			3712001
	34.0		6.91	82			3712002
	47.0		6.75	116			3712003
FM-50-50-13	17.0		6.91	41			3712005
	23.0		6.61	58			3712006
	34.0		6.91	82			3712007
	47.0		6.75	116			3712008
FM-50-50-16	17.0		6.91	41			3712050
	23.0		6.61	58			3712051
	34.0		6.91	82			3712052
	47.0		6.75	116			3712053
FM-50-50-23	17.0		6.91	41			3712015
	23.0		6.61	58			3712016
	34.0		6.91	82			3712017
	47.0		6.75	116			3712018

Viton® is the registered trademark for DuPont Dow Elastomer.

Options:

Electrical connection:	Item number:
Single-phase 230 VAC, 50 Hz, 0.18 kW	9012450
Single-phase 240 VAC, 50 Hz, 0.18 kW	9012453
Seals:	
EPDM for 1" valves (2 pcs.)	9012802
Viton® for ½" valves (2 pcs.)	9012801

Subject to technical modifications and printing errors. Images may vary slightly from actual product
07.02.2022

High dosing accuracy and robust technology with a vertically mounted electric motor.



Product description:

- Capacity: 4.0–49 l/h
- Pressure range: 10–14 bar
- Max. dosing fluid temperature:
 - PP, PVC: 40 °C
 - Stainless steel AISI 316: 60 °C
- Seals: Viton®, EPDM
- Stroke frequency: 0–116 per min
- Dosing head, electively: PP, PVC, PVDF, stainless steel AISI 316
- Valves, electively: PP, PVC, PVDF, stainless steel AISI 316
- Valve balls: Pyrex®, stainless steel AISI 316
- Membrane: PTFE
- Optional frequency converter/control

3

Areas of application:

- Constant dosing without a controller.
- Water treatment, process technology, wastewater treatment.

Scope of supply:

- **DOSA Tec D-50** Motorised diaphragm dosing pump, with selected options, see codes **-11, -12, -13, -16, -23**, ((optional: gear oil, not included in the scope of delivery)

Technical data:

Type:			
Stroke adjustment	Infinitely variable from 0 – 100 %, manual		
Standard reduction gear	+		
Motor rating	0.18 kW		
Power supply	three phase 230/400 VAC, 50/60* Hz (single phase 230/240 VAC, 50/60 Hz* also available as an option)		
Type: Coded with end number e.g: D-50-11	Pump head:	Valve balls:	Valve seats:
11	Stainless steel AISI 316	Stainless steel AISI 316	Stainless steel AISI 316
12	PP	Pyrex®	PP
13	PVC	Pyrex®	PVC
16	PVC	SS 316	PVC
23	PVDF	Pyrex®	PVDF

Viton® is the registered trademark for DuPont Dow Elastomer.

Ordering data:

Type:	Dosing capacity: l/h	Pressure range: bar	Stroke volume: ml/stroke	Stroke frequency: 1/min.	Membrane: Ø mm	Hose connection: inches	Item number:		
D-50-30-11	5.0	14	2.38	35	30	½	4212500		
	8.0		2.3	58			4212501		
	14.0		2.43	96			4212502		
	17.0		2.44	116			4212503		
D-50-30-12	5.0	10	2.38	35			4212550		
	8.0		2.3	58			4212551		
	14.0		2.43	96			4212552		
	17.0		2.44	116			4212553		
D-50-30-13	5.0		10	2.38			35	4212530	
	8.0			2.3			58	4212531	
	14.0			2.43			96	4212532	
	17.0			2.44			116	4212533	
D-50-30-16	5.0			10			2.38	35	4212560
	8.0						2.3	58	4212561
	14.0						2.43	96	4212562
	17.0						2.44	116	4212563
D-50-30-23	5.0				10	1.90	35	4212570	
	8.0					2.01	58	4212571	
	14.0					2.00	96	4212572	
	17.0					2.01	116	4212573	
D-50-50-11	14.0	10				6.67	35	4212510	
	24.0					6.90	58	4212511	
	39.0					6.77	96	4212512	
	49.0					7.04	116	4212513	
D-50-50-12	14.0		10			6.67	35	4212520	
	24.0					6.90	58	4212521	
	39.0					6.77	96	4212522	
	49.0					7.04	116	4212523	
D-50-50-13	14.0			10		6.67	35	4212540	
	24.0					6.90	58	4212541	
	39.0					6.77	96	4212542	
	49.0					7.04	116	4212543	
D-50-50-16	14.0				10	6.67	35	4212580	
	24.0					6.90	58	4212581	
	39.0					6.77	96	4212582	
	49.0					7.04	116	4212583	
D-50-50-23	14.0	10				6.67	35	4212590	
	24.0					6.90	58	4212591	
	39.0					6.77	96	4212592	
	49.0					7.04	116	4212593	

Options:

Electrical connection:	Item number:
Single-phase 230 VAC, 50 Hz, 0.18 kW	9012452
Single-phase 240 VAC, 50 Hz, 0.18 kW	9012454
Explosion proof (Exd IIBT4) three-phase 230/400 VAC, 50 Hz, 0.18 kW	9012456
Seals:	
EPDM for 1" valves (2 pcs.)	9012802
Viton® for ½" valves (2 pcs.)	9012801
Frequency converter:	
Frequency converter/control	4312000
Oil:	
Gear oil	9088001

Subject to technical modifications and printing errors. Images may vary slightly from actual product
20.11.2017

3.4.3.

DOSA*Tec* Motorised diaphragm dosing pump D-100

Pump covering a capacity of 53–438 l/h.



Product description:

- Capacity: 53–438 l/h
- Pressure range: 1.5–5 bar
- Max. dosing fluid temperature:
 - PP, PVC: 40 °C
 - Stainless steel AISI 316, 60 °C
- Seals: FPM (Viton®), EPDM
- Stroke frequency: 0–116 per min
- Dosing head, electively: PP, PVC, PVDF, stainless steel AISI 316
- Valves, electively: PP, PVC, PVDF, stainless steel AISI 316
- Valve balls: Pyrex®, stainless steel AISI 316
- Membrane: PTFE
- Optional frequency converter/control

3

Areas of application:

- Constant dosing without a controller.
- Water treatment, process technology, wastewater treatment.

Scope of supply:

- **DOSA*Tec* D-100** Motorised diaphragm dosing pump, with selected options, see codes **-11, -12, -13, -16, -23**, (optional: gear oil, not included in the scope of delivery)

Technical data:

Type:			
Stroke adjustment	Infinitely variable from 0 – 100 %, manual		
Standard reduction gear	+		
Motor rating	0.18 kW		
Power supply	three phase 230/400 VAC, 50/60* Hz (single phase 230/240 VAC, 50/60 Hz* also available as an option)		
Type: Coded with end number e.g: D-100-11	Pump head:	Valve balls:	Valve seats:
11	Stainless steel AISI 316	Stainless steel AISI 316	Stainless steel AISI 316
12	PP	Pyrex®	PP
13	PVC	Pyrex®	PVC
16	PVC	SS 316	PVC
23	PVDF	Pyrex®	PVDF

Viton® is the registered trademark for DuPont Dow Elastomer.

Subject to technical modifications and printing errors. Images may vary slightly from actual product.
20.11.2017

Ordering data:

Type:	Dosing capacity: l/h	Pressure range: bar	Stroke volume: ml/stroke	Stroke frequency: 1/min.	Membrane: Ø mm	Hose connection: inches	Item number:			
D-100-70-11	53	5	25.24	35	70	½	3812000			
	88		25.29	58			3812001			
	146		25.35	96			3812002			
	176		25.29	116			3812003			
D-100-70-12	53		25.24	35			3812060			
	88		25.29	58			3812061			
	146		25.35	96			3812062			
	176		25.29	116			3812063			
D-100-70-13	53		25.24	35			3812020			
	88		25.29	58			3812021			
	146		25.35	96			3812022			
	176		25.29	116			3812023			
D-100-70-16	53		25.24	35			3812040			
	88		25.29	58			3812041			
	146		25.35	96			3812042			
	176		25.29	116			3812043			
D-100-70-23	53	25.24	35	3812070						
	88	25.29	58	3812071						
	146	25.35	96	3812072						
	176	25.29	116	3812073						
D-100-90-11	81	3	38.57	35	90	¾	3812005			
	135		38.79	58			3812006			
	224		38.89	96			3812007			
	271		38.94	116			3812008			
D-100-90-12	81		38.57	35			3812065			
	135		38.79	58			3812066			
	224		38.89	96			3812067			
	271		38.94	116			3812068			
D-100-90-13	81		38.57	35			3812025			
	135		38.79	58			3812026			
	224		38.89	96			3812027			
	271		38.94	116			3812028			
D-100-90-16	81		38.57	35			3812045			
	135		38.79	58			3812046			
	224		38.89	96			3812047			
	271		38.94	116			3812048			
D-100-90-23	81		38.57	35			3812075			
	135		38.79	58			3812076			
	224		38.89	96			3812077			
	271		38.94	116			3812078			
D-100-105-11	108		1.5	51.43			35	105		3812010
	180			51.72			58			3812011
	297			51.56			96			3812012
	360			51.72			116			3812013
D-100-105-12	108	51.43		35	3812090					
	180	51.72		58	3812091					
	297	51.56		96	3812092					
	360	51.72		116	3812093					
D-100-105-13	108	51.43		35	3812030					
	180	51.72		58	3812031					
	297	51.56		96	3812032					
	360	51.72		116	3812033					

Subject to technical modifications and printing errors. Images may vary slightly from actual product
20.11.2017

Ordering data:

Type:	Dosing capacity: l/h	Pressure range: bar	Stroke volume: ml/stroke	Stroke frequency: 1/min.	Membrane: Ø mm	Hose connection: inches	Item number:
D-100-105-16	108	1.5	51.43	35	105	¾	3812050
	180		51.72	58			3812051
	297		51.56	96			3812052
	360		51.72	116			3812053
D-100-105-23	108		51.43	35			3812080
	180		51.72	58			3812081
	297		51.56	96			3812082
	360		51.72	116			3812083
D-100-120-11	132	1	62.86	35	120	1	3812015
	219		62.93	58			3812016
	362		62.85	96			3812017
	438		62.95	116			3812018
D-100-120-12	132		62.86	35			3812095
	219		62.93	58			3812096
	362		62.85	96			3812097
	438		62.95	116			3812098
D-100-120-13	132		62.86	35			3812035
	219		62.93	58			3812036
	362		62.85	96			3812037
	438		62.95	116			3812038
D-100-120-16	132		62.86	35			3812055
	219		62.93	58			3812056
	362		62.85	96			3812057
	438		62.95	116			3812058
D-100-120-23	132	62.86	35	3812085			
	219	62.93	58	3812086			
	362	62.85	96	3812087			
	438	62.95	116	3812088			

Options:

Electrical connection:	Item number:
Single-phase 230 VAC, 50 Hz, 0.18 kW	9012452
Single-phase 240 VAC, 50 Hz, 0.18 kW	9012454
Explosion proof (Exd IIBT4) three-phase 230/400 VAC, 50 Hz, 0.18 kW	9012456
Seals:	
2050 Viton® for ½" valves (2 pcs.)	9012801
2050 EPDM for ½" valves (2 pcs.)	9012802
3093 Viton® for 1" valves (2 pcs.)	9012803
3093 EPDM for 1" valves (2 pcs.)	9012805
3062 Viton® for ¾" valves (2 pcs.)	9012804
3062 EPDM for ¾" valves (2 pcs.)	9012806
Frequency converter:	
Frequency converter/control	4312000
Oil:	
Gear oil	9088001

Viton® is the registered trademark for DuPont Dow Elastomer.

3.4.4.

DOSA*Tec* Motorised diaphragm dosing pump D-101

Pump covering a capacity of 105–415 l/h.



Product description:

- Capacity: 105–418 l/h
- Pressure range: 3–8 bar
- Max. dosing fluid temperature:
 - PP, PVC: 40 °C
 - Stainless steel AISI 316: 60 °C
- Seals: Viton®, EPDM
- Stroke frequency: 0–120 per min
- Dosing head, electively: PP, PVC, PVDF, stainless steel AISI 316
- Valves, electively: PP, PVC, PVDF, stainless steel AISI 316
- Valve balls: Pyrex®, stainless steel AISI 316
- Membrane: PTFE
- Optional frequency converter/control

Areas of application:

- Constant dosing without a controller.
- Water treatment, process technology, wastewater treatment.

Scope of supply:

- **DOSA*Tec* D-101** Motorised diaphragm dosing pump, with selected options, see codes **-11, -12, -13, -16, -23**, (optional: gear oil, not included in the scope of delivery)

Technical data:

Type:			
Stroke adjustment	Infinitely variable from 0–100 %, manual		
Standard reduction gear	+		
Motor rating	0.25 kW, 0.37 kW		
Power supply	three phase 230/400 VAC, 50/60* Hz (single phase 230/240 VAC, 50/60 Hz* also available as an option)		
Type: Coded with end number e.g: D-101-11	Pump head:	Valve balls:	Valve seats:
11	Stainless steel AISI 316	Stainless steel AISI 316	Stainless steel AISI 316
12	PP	Pyrex®	PP
13	PVC	Pyrex®	PVC
16	PVC	SS 316	PVC
23	PVDF	Pyrex®	PVDF

Viton® is the registered trademark for DuPont Dow Elastomer.

Subject to technical modifications and printing errors. Images may vary slightly from actual product.
20.11.2017

Ordering data:

Type:	Dosing capacity: l/h	Pressure range: bar	Stroke volume: ml/stroke	Stroke frequency: 1/min.	Membrane: Ø mm	Hose connection: inches	Item number:			
D-101-70-11	105	8	25.00	70	70	½	3812100			
	144		25.00	96			3812101			
	180		25.00	120			3812102			
D-101-70-12	105		25.00	70			3812200			
	144		25.00	96			3812201			
	180		25.00	120			3812202			
D-101-70-13	105		25.00	70			3812120			
	144		25.00	96			3812121			
	180		25.00	120			3812122			
D-101-70-16	105		25.00	70			3812140			
	144		25.00	96			3812141			
	180		25.00	120			3812142			
D-101-70-23	105	25.00	70	3812170						
	144	25.00	96	3812171						
	180	25.00	120	3812172						
D-101-90-11	158	5	37.62	70	90	¾	3812105			
	217		37.67	96			3812106			
	271		37.64	120			3812107			
D-101-90-12	158		37.62	70			3812205			
	217		37.67	96			3812206			
	271		37.64	120			3812207			
D-101-90-13	158		37.62	70			3812125			
	217		37.67	96			3812126			
	271		37.64	120			3812127			
D-101-90-16	158		37.62	70			3812145			
	217		37.67	96			3812146			
	271		37.64	120			3812147			
D-101-90-23	158		37.62	70			3812175			
	217		37.67	96			3812176			
	271		37.64	120			3812177			
D-101-105-11	212		3	50.48			70	105	¾	3812110
	292			50.69			96			3812111
	365			50.69			120			3812112
D-101-105-12	212			50.48			70			3812210
	292			50.69			96			3812211
	365			50.69			120			3812212
D-101-105-13	212			50.48			70			3812230
	292			50.69			96			3812231
	365			50.69			120			3812232
D-101-105-16	212	50.48		70	3812150					
	292	50.69		96	3812151					
	365	50.69		120	3812152					
D-101-105-23	212	50.48		70	3812180					
	292	50.69		96	3812181					
	365	50.69		120	3812182					
D-101-120-11	244	120		58.10	70	1	1			3812115
	334			57.99	96					3812116
	418			58.06	120					3812117
D-101-120-12	244			58.10	70					3812215
	334			57.99	96					3812216
	418			58.06	120					3812217
D-101-120-13	244			58.10	70					3812135
	334			57.99	96					3812136
	418			58.06	120					3812137

Subject to technical modifications and printing errors. Images may vary slightly from actual product
20.11.2017

Ordering data:

Type:	Dosing capacity: l/h	Pressure range: bar	Stroke volume: ml/stroke	Stroke frequency: 1/min.	Membrane: Ø mm	Hose connection: inches	Item number:
D-101-120-16	244	3	58.10	70	120	1	3812155
	334		57.99	96			3812156
	418		58.06	120			3812157
D-101-120-23	244		58.10	70			3812185
	334		57.99	96			3812186
	418		58.06	120			3812187

Options:

Electrical connection:	Item number:
Single-phase 230 VAC, 50 Hz, 0.25 kW	9012470
Single-phase 240 VAC, 50 Hz, 0.25 kW	9012471
Explosion proof (Exd IIBT4), three-phase 230 / 400 V AC, 50 Hz, 0.25	9012472
Single-phase 230 VAC, 50 Hz, 0.37 kW	9012475
Single-phase 240 VAC, 50 Hz, 0.37 kW	9012476
Seals:	
2050 Viton® for ½" valves (2 pcs.)	9012801
2050 EPDM for ½" valves (2 pcs.)	9012802
3093 Viton® for 1" valves (2 pcs.)	9012803
3093 EPDM for 1" valves (2 pcs.)	9012805
3062 Viton® for ¾" valves (2 pcs.)	9012804
3062 EPDM for ¾" valves (2 pcs.)	9012806
Frequency converter:	
Frequency converter/control 0,25 kW	4312005
Frequency converter/control 0,37 kW	4312010
Oil:	
Gear oil	9088001

Viton® is the registered trademark for DuPont Dow Elastomer.

3.4.5.

DOSA Tec Motorised diaphragm dosing pump D-121

Pump covering a capacity of 332–570 l/h.



Product description:

- Capacity: 332–570 l/h
- Pressure range: 3 bar
- Max. dosing fluid temperature:
 - PP, PVC: 40 °C
 - Stainless steel AISI 316: 60 °C
- Seals: Viton®
- Stroke frequency 0–120 per min
- Dosing head, electively: PP, PVC, PVDF, stainless steel AISI 316
- Valves, electively: PP, PVC, PVDF, stainless steel AISI 316
- Valve balls: Pyrex®, stainless steel AISI 316
- Membrane: PTFE
- Optional frequency converter

3

Areas of application:

- Constant dosing without a controller.
- Water treatment, process technology, wastewater treatment.

Scope of supply:

- **DOSA Tec D-121** Motorised diaphragm dosing pump, with selected options, see codes **-11, -12, -13, -16, -23**, (optional: gear oil, not included in the scope of delivery)

Technical data:

Type:			
Stroke adjustment	Infinitely variable from 0–100 %, manual		
Standard reduction gear	+		
Motor rating	0.25 kW, 0.37 kW		
Power supply	three phase 230/400 VAC, 50/60* Hz (single phase 230/240 VAC, 50/60 Hz* also available as an option)		
Type: Coded with end number e.g: D-121-11	Pump head:	Valve balls:	Valve seats:
11	Stainless steel AISI 316	Stainless steel AISI 316	Stainless steel AISI 316
12	PP	Pyrex®	PP
13	PVC	Pyrex®	PVC
16	PVC	SS 316	PVC
23	PVDF	Pyrex®	PVDF

Viton® is the registered trademark for DuPont Dow Elastomer.

Ordering data:

Type:	Dosing capacity: l/h	Pressure range: bar	Stroke volume: ml/stroke	Stroke frequency: 1/min.	Membrane: Ø mm	Hose connection: inches	Item number:
D-121-120-11	332	3	79.05	70	120	1	3912000
	445		78.99	96			3912001
	570		79.17	120			3912002
D-121-120-12	332		79.05	70			3912010
	445		78.99	96			3912011
	570		79.17	120			3912012
D-121-120-13	332		79.05	70			3912020
	445		78.99	96			3912021
	570		79.17	120			3912022
D-121-120-16	332		79.05	70			3912030
	445		78.99	96			3912031
	570		79.17	120			3912032
D-121-120-23	332	79.05	70	3912040			
	445	78.99	96	3912041			
	570	79.17	120	3912042			

Options:

Electrical connection:	Item number:
Single-phase 230 VAC, 50 Hz, 0.25 kW	9012470
Single-phase 240 VAC, 50 Hz, 0.25 kW	9012471
Single-phase 230 VAC, 50 Hz, 0.37 kW	9012475
Single-phase 240 VAC, 50 Hz, 0.37 kW	9012476
Three-phase 230/400 VAC, 50 Hz, 0.25, Exd IIBT4	9012477
Seals:	
Viton® or 1" valves (2 pieces)	9012803
EPDM for 1" valves (2 pieces)	9012805
Frequency converter:	
Frequency converter/control 0,25 kW	4312005
Frequency converter/control 0,37 kW	4312010
Oil:	
Gear oil	9088001

Viton® is the registered trademark for DuPont Dow Elastomer.

3.4.6.

DOSA Tec Motorised diaphragm dosing pump D-122

Pump covering a capacity of 257 – 1.400 l/h.



Product description:

- Pressure range: 0–3 bar
- Max. dosing fluid temperature:
 - PP, PVC: 40 °C
 - Stainless steel AISI 316: 60 °C
- Seals: Viton®
- Stroke frequency 0–140 per min
- Dosing head, electively: PP, PVC, PVDF, stainless steel AISI 316
- Valves, electively: PP, PVC, PVDF, stainless steel AISI 316
- Valve balls: PTFE, stainless steel AISI 316
- Membrane: PTFE (coated)
- Optional frequency converter/control

3

Areas of application:

- Constant dosing without a controller.
- Water treatment, process technology, wastewater treatment.

Scope of supply:

- **DOSA Tec D-122** Motorised diaphragm dosing pump, with selected options, see codes **-11, -12, -13, -16, -23**, (optional: gear oil, not included in the scope of delivery)

Technical data:

Type:			
Stroke adjustment	Infinitely variable from 0–100 %, manual		
Standard reduction gear	+		
Motor rating	0.55 kW, 0.75 kW (D122N-160)		
Power supply	three phase 230/400 VAC, 50/60* Hz (single phase 230/240 VAC, 50/60 Hz* also available as an option)		
Type: Coded with end number e.g: D-122-11	Pump head:	Valve balls:	Valve seats:
11	Stainless steel AISI 316	Stainless steel AISI 316	Stainless steel AISI 316
12	PP	Pyrex®	PP
13	PVC	Pyrex®	PVC
16	PVC	SS 316	PVC
23	PVDF	Pyrex®	PVDF

Viton® is the registered trademark for DuPont Dow Elastomer.

Ordering data:

Type:	Dosing capacity: l/h	Pressure range: bar	Stroke volume: ml/stroke	Stroke frequency: 1/min.	Membrane: Ø mm	Hose connection: inches	Item number:
D-122-120-11	257	6	76.48	56	120	1	4212700
	445		77.25	96			4212701
	532		79.16	112			4212702
	650		77.38	140			4212703
D-122-140-11	437	3	130.06	56	140	1	4212710
	755		131.08	96			4212711
	864		128.57	112			4212712
	1165		138.69	140			4212713
D-122-160-11	527	3	156.84	56	160	1 ½	4212720
	896		155.55	96			4212721
	1062		158.03	112			4212722
	1330		158.33	140			4212723
D-122-120-12	270	6	80.36	56	120	1	4212730
	468		81.25	96			4212731
	560		83.33	112			4212732
	684		81.43	140			4212733
D-122-140-12	460	3	136.90	56	140	1	4212740
	495		138.02	96			4212741
	910		135.42	112			4212742
	1175		139.88	140			4212743
D-122-160-12	555	3	165.18	56	160	1 ½	4212750
	943		163.72	96			4212751
	1118		166.37	112			4212752
	1400		166.67	140			4212753
D-122-120-13	270	6	80.36	56	120	1	4212760
	468		81.25	96			4212761
	560		83.33	112			4212762
	684		81.43	140			4212763
D-122-140-13	460	3	136.90	56	140	1	4212770
	495		138.02	96			4212771
	910		135.42	112			4212772
	1175		139.88	140			4212773
D-122-160-13	555	3	165.18	56	160	1 ½	4212780
	943		163.72	96			4212781
	1118		166.37	112			4212782
	1400		166.67	140			4212783
D-122-120-23	270	6	80.36	56	120	1	4212790
	468		81.25	96			4212791
	560		83.33	112			4212792
	684		81.43	140			4212793
D-122-140-23	460	3	136.90	56	140	1	4212800
	495		138.02	96			4212801
	910		135.42	112			4212802
	1175		139.88	140			4212803
D-122-160-23	555	3	165.18	56	160	1 ½	4212811
	943		163.72	96			4212811
	1118		166.37	112			4212812
	1400		166.67	140			4212813

Subject to technical modifications and printing errors. Images may vary slightly from actual product
20.11.2017

Options:

Electrical connection:	Item number:
Single-phase 230V/50Hz for D-122N-120/140, 0.55 kw	9012462
Single-phase 240V/50Hz for D-122N-120/140, 0.55 kw	9012463
Three-phase 220V/60Hz for D-122N-120/140, 0.55 kw	9012464
Single-phase 110V/60Hz for D-122N-120/140, 0,55 kw	9012465
Single-phase 230V/50Hz for D-122N-160, 0.75 kw	9012466
Single-phase 240V/50Hz for D-122N-160, 0.75 kw	9012467
Single-phase 220V/60Hz for D-122N-160, 0.75 kw	9012468
Single-phase 110V/60Hz for D-122N-160, 0.75 kw	9012469
Seals:	
Viton® for 1" valves (2 pieces)	9012803
EPDM for 1" valves (2 pieces)	9012805
Frequency converter:	
Frequency converter/control	4312015
Frequency converter/control	4312020
Oil:	
Gear oil	9088001

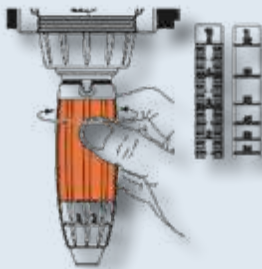
Viton® is the registered trademark for DuPont Dow Elastomer.





3. Dosing technology
3.5. Proportional doser unit

Proportional dosing with external adjustment.



Product description:

- Dosing range: 0.15–5.5 %
- Pressure range: 0.3–6 bar, depending on the model
- Water flow rate: 5–700 l/h
- Dosing feed rate: 0.0075–38.5 l/h
- Dosing: proportional, e.g. a setting of 1 % (corresponds to a dosage of 1 : 100)
- Average dosage tolerance: ±5 %
- Reproducibility: ±3 % (API675)
- Pressure loss: 0.3–1.4 bar
- Maximum temperature of drive water: 40 °C
- Minimum temperature of drive water: 5 °C
- Integrated mixing chamber
- With built-in bypass switch
- Drive:
 - hydraulic differential piston motor
 - self-priming
- Seals:
 - AF for alkaline solutions (pH 7–14),
 - VF acid (pH 1–7)
- Maximum intake height: 4 m

3

Areas of application:

- Disinfection, cleaning, hygiene, odour neutralisation, environmental industry, water treatment, food industry, horticulture, crop protection, pest control, fertilisation, pH/TH regulation, flocculation, car washes, metal processing, lubrication, oil, printing industry, car washes.

Easy adjustment of the dosing rate:

- The tips of the notch on the adjustment ring points to the corresponding value. The amount of concentrate fed is proportional to the volume of water flowing through the doser: e.g.: setting 1% = 1 : 100 = 1 part concentrate + 100 parts water.

Operating principle:

- When connected to the water mains, the doser uses the water pressure as its driving force, which causes it to suck concentrate in and dose it at the required concentration and mix it with the drive water. The stock solution made in this way flows through the doser. The amount of product dosed is proportional to the water flow rate, even if there are fluctuations in the flow rate or water pressure.

Scope of supply:

- DOSA Tec D07 Proportional doser, inclusive suction hose with filter, wall mount

Additional technical data:

Equipment:	Realisation:
Feed	Internal feed in discharge mixing chamber
Stroke	0.225 l (1 cycle = 1 click)
Dosing piston	Single-acting 10%, double acting from 10% upwards
Intake valve	Spring-loaded cone valve with seal
Ventilation	Built-in ventilation
Max. viscosity of concentrate	200 ... 800 cPs at 20 °C, from 400 cPs and > 2 % V-kit recommended for dosage
Intake	Intake filter with ballast
Connections	¾ M : BSP – NPT – Ø 20 x 27 mm
Integrated anti-siphon system	No

Ordering data:

Type:	Dosing rate: %	Ratio:	Waterflow rate: l/h	Pressure: bar	Hose connection: mm	Housing:	Item number:
D07RE125 AF (seals for alkaline media)	0.15–0.25	1 : 666 to	5–700	0.3–6	6 x 9	PP (Polypropylene)	4056446
D07RE125 VF (seals for acidic media)		1 : 80					4056445
D07RE5 AF (seals for alkaline media)	0.80–5.5	1 : 128 to					4056441
D07RE5 VF (seals for acidic media)		1 : 1,18					4056443
D07RE125 AF (seals for alkaline media)	0.15–1.25	1 : 666 to				PVDF	4056448
D07RE125 VF (seals for acidic media)		1 : 80					4056447
D07RE5 AF (seals for alkaline media)	0.80–5.5	1 : 128 to					4056442
D07RE5 VF (seals for acidic media)		1 : 1,18					4056440

Options:

Type:	Item number:
Product intake hose as viscous kit version.	9156040
Type:	
Hose connection:	
D07RE125 ...	12 x 16 mm
D07RE5 ...	

Accessories:

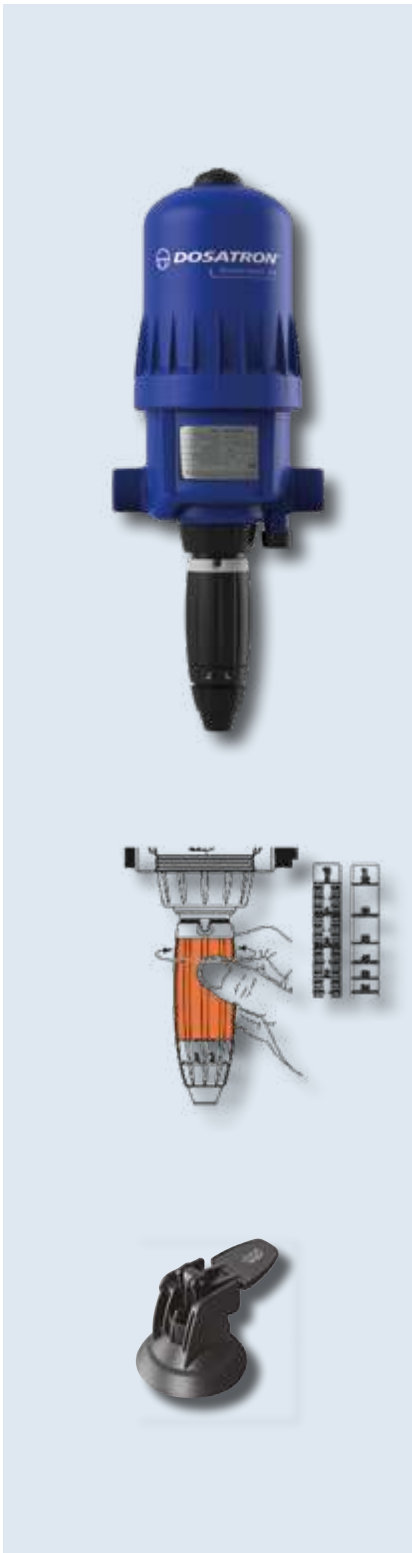
Type:	Item number:
½" pressure reducer male thread with pressure gauge	9156050
¾" water filter with Plexiglass container - Washable 80 micron filter cartridge	9156060
½" backflow preventer BA Micro DVGW tested (max.1000l/h)	9156070
½" backflow preventer BA Kompakt	9156080
½" stainless steel water-hammer-arrester	9156090

Recommendations:

- To maximise the service life of the doser, we recommend the following:
 - Install a filter (60 micron [300 mesh]) upstream of the doser if the water quality requires one
 - Change the dosing seals at least once a year
 - Rinse with clear water as often as possible, but at least when decommissioning
 - Adjust the doser with the pressure shut off
 - Install the necessary protective devices (flow limiters/pressure limiters and water hammer arresters etc.) in the pipeline system for protection against
 - excess flow, excess pressure and pressure spikes.
 - Install dosers in a total by-pass system

Subject to technical modifications and printing errors. Images may vary slightly from actual product.
26.03.2019

Proportional dosing with external adjustment



Product description:

- Dosing range: 0.2–5 %
- Pressure range: 0.3– 8 bar, depending on the model
- Water flow rate: 500– 9000 l/h
- Dosing feed rate: 1–450 l/h
- Dosing: proportional, e.g. a setting of 1 % (corresponds to a dosage of 1 : 100)
- Average dosage tolerance: ±10 %
- Reproducibility: ±3 % (API675)
- Pressure loss: 0.2–2.3 bar
- Maximum temperature of drive water: 40 °C
- Minimum temperature of drive water: 5 °C
- Integrated mixing chamber
- Drive:
 - hydraulic differential piston motor
 - self-priming
- Seals:
 - AF for alkaline solutions (pH 7–14)
 - VF acid (pH 1–7)
- Maximum intake height: 4 m

3

Areas of application:

- Disinfection, cleaning, hygiene, odour neutralisation, environmental industry, water treatment, food industry, horticulture, crop protection, pest control, fertilisation, pH/TH regulation, flocculation, car washes, metal processing, lubrication, oil, printing industry, car washes

Easy adjustment of the dosing rate:

- The tips of the notch on the adjustment ring points to the corresponding value. The amount of concentrate fed is proportional to the volume of water flowing through the doser: e.g.: setting 1 % = 1 : 100 = 1 part concentrate + 100 parts water.

Operating principle:

- When connected to the water mains, the doser uses the water pressure as its driving force, which causes it to suck concentrate in and dose it at the required concentration and mix it with the drive water. The stock solution made in this way flows through the doser. The amount of product dosed is proportional to the water flow rate, even if there are fluctuations in the flow rate or water pressure.

Scope of supply:

- DOSA Tec D9 Proportional doser, inclusive suction hose with filter, wall mount

Additional technical data:

Equipment:	Realisation:
Feed	Internal feed in discharge mixing chamber
Stroke	1,7 l (1 Zyklus = 2 Klacklaute)
Intake valve	Spring-loaded cone valve with seal
Ventilation	Built-in ventilation
Max. viscosity of concentrate	600 – 3000 cPs at 20 °C
Intake	Intake filter with ballast
Connections	1 ½" M: NPT - BSP Ø 40 x 49 mm
Integrated anti-siphon system	No

3

Ordering data:

Type:	Dosing rate: %	Ratio:	Waterflow rate: l/h	Pressure: bar	Hose connection: mm	Housing:	Item number:
D9RE2 AF (seals for alkaline media)	0,2 ... 2	1 : 500 ...	500 ... 9000	0,3 ... 8	16 x 22	PP	4056815
D9RE2 VF (seals for acidic media)		1 : 50					4056810
D9RE5 AF (seals for alkaline media)	1 ... 5	1 : 100 ...	500 ... 9000	0,5 ... 8	20 x 27		4056830
D9RE VF (seals for acidic media)		1 : 20					4056835

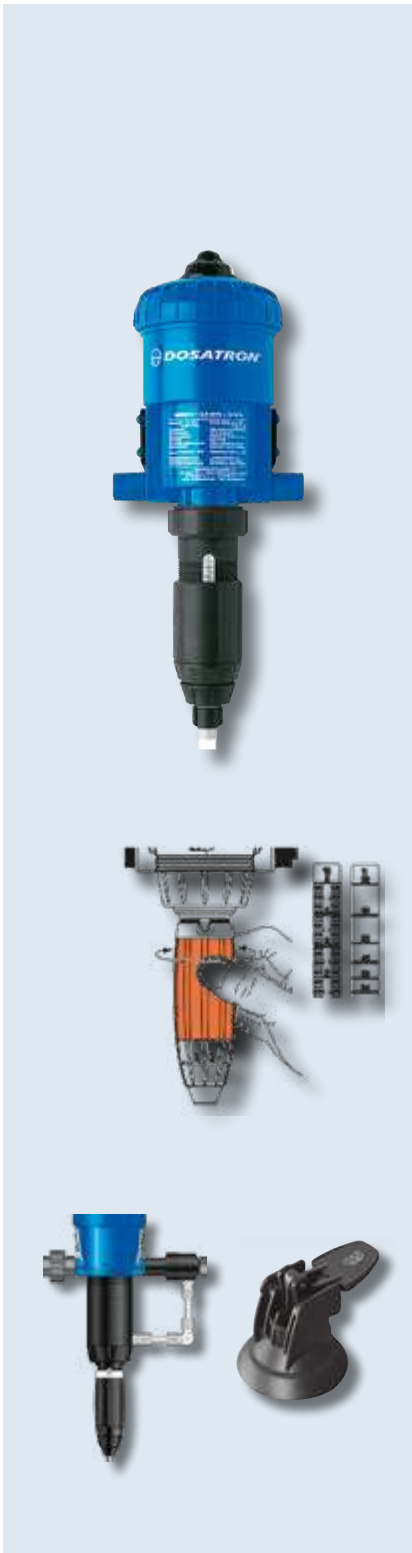
Options:

Type:	Item number:
Product intake hose as viscous kit version	9156040
D9RE2 ...	
Hose connection: 20 x 27 mm	
An optional by-pass switch is available, which allows the intake system to be switched on/off	9156045

Recommendations:

- To maximise the service life of the doser, we recommend the following:
 - Install a filter (60 micron [300 mesh]) upstream of the doser if the water quality requires one
 - Change the dosing seals at least once a year
 - Rinse with clear water as often as possible, but at least when decommissioning
 - Adjust the doser with the pressure shut off
 - Install the necessary protective devices (flow limiters/pressure limiters and water hammer arresters etc.) in the pipeline system for protection against
 - excess flow, excess pressure and pressure spikes.
 - Install dosers in a total by-pass system

Proportional dosing with external adjustment.



Product description:

- Dosing range: 0.1 – 10 %
- Pressure range: 0.3–6 bar, depending on the model
- Water flow rate: 10–2500 l/h
- Dosing feed rate: 0.007–250 l/h
- Dosing: proportional, e.g. a setting of 1 % (corresponds to a dosage of 1 : 100)
- Average dosage tolerance: ±5 %
- Reproducibility: ±3 % (API675)
- Pressure loss: 0.3 – 1.9 bar
- Maximum temperature of drive water: 40 °C
- Minimum temperature of drive water: 5 °C
- Integrated mixing chamber
- Drive:
 - hydraulic differential piston motor
 - self-priming
- Seals:
 - AF (for alkaline solutions, pH 7–14)
 - VF (acid, pH 1–7)
- Maximum intake height: 4 m

3

Areas of application:

- Disinfection, cleaning, hygiene, odour neutralisation, environmental industry, water treatment, food industry, horticulture, crop protection, pest control, fertilisation, pH/TH regulation, flocculation, car washes, metal processing, lubrication, oil, printing industry, car washes.

Easy adjustment of the dosing rate:

- The tips of the notch on the adjustment ring points to the corresponding value. The amount of concentrate fed is proportional to the volume of water flowing through the doser: e.g.: setting 1 % = 1 : 100 = 1 part concentrate + 100 parts water.

Operating principle:

- When connected to the water mains, the doser uses the water pressure as its driving force, which causes it to suck concentrate in and dose it at the required concentration and mix it with the drive water. The stock solution made in this way flows through the doser. The amount of product dosed is proportional to the water flow rate, even if there are fluctuations in the flow rate or water pressure.

Scope of supply:

- DOSA Tec D25 Proportional doser, inclusive suction hose with filter, wall mount

Additional technical data:

Equipment:	Realisation:
Feed	Internal feed in discharge mixing chamber
Stroke	0.45 l (1 cycle = 2 clicks)
Dosing piston	Single-acting 10%, double acting from 10% upwards
Intake valve	Spring-loaded cone valve with seal
Ventilation:	Built-in ventilation
Max. viscosity of concentrate	200–800 cPs at 20 °C, from 400 cPs and > 2 % V-kit recommended for dosage
Intake	Intake filter with ballast
Connections:	¾ M : BSP – NPT – Ø 20 x 27 mm
Integrated anti-siphon system	No

3

Ordering data:

Type:	Dosing rate: %	Ratio:	Waterflow rate: l/h	Pressure: bar	Hose connection: mm	Housing:	Item number:		
D25RE09 AF (seals for alkaline media)	0.1–0.9	1 : 1000 to 1 : 112	10–2500	0.3–6.0	6 x 9	Polyacetal	4056350		
D25RE09 VF (seals for acidic media)							4056150		
D25RE2 AF (seals for alkaline media)	0.2–2.0	1 : 500 to 1 : 50					4056355		
D25RE2 VF (seals for acidic media)							4056155		
D25RE/IE2 AF (seals for alkaline media)							4056360		
D25RE/IE2 VF (seals for acidic media)							4056160		
D25RE4 AF (seals for alkaline media)					0.5–4.0		1 : 200 ... 01 : 25	4056365	
D25RE4 VF (seals for acidic media)								4056165	
D25RE5 AF (seals for alkaline media)	1.0–5.0	1:100 to 01:20						4056370	
D25RE5 VF (seals for acidic media)								4056170	
D25RE/IE5 AF (seals for alkaline media)								4056375	
D25RE/IE5 VF (seals for acidic media)								4056175	
D25RE10 AF (seals for alkaline media)			3.0–10.0	1 : 33 to 1 : 10	4056380				
D25RE10 VF (seals for acidic media)					4056180				
D25RE/IE10 AF (seals for alkaline media)	4056385								
D25RE/IE10 VF (seals for acidic media)	4056185								
D25RE09 AF (seals for alkaline media)	0.1–0.9	1 : 1000 to 1 : 112			10–2500	0.3–6.0	6 x 9	PVDF	4056390
D25RE09 VF (seals for acidic media)									4056190
D25RE2 AF (seals for alkaline media)	0.2–2.0	1 : 500 to 1 : 50	4056405						
D25RE2 VF (seals for acidic media)			4056205						
D25RE/IE2 AF (seals for alkaline media)			4056410						
D25RE/IE2 VF (seals for acidic media)			4056210						
D25RE4 AF (seals for alkaline media)			0.5–4.0	1 : 200 to 1 : 25			4056415		
D25RE4 VF (seals for acidic media)							4056215		
D25RE5 AF (seals for alkaline media)	1.0–5.0	1 : 100 to 1 : 20					4056420		
D25RE5 VF (seals for acidic media)							4056220		
D25RE/IE5 AF (seals for alkaline media)							4056425		
D25RE/IE5 VF (seals for acidic media)							4056225		
D25RE10 AF (seals for alkaline media)			3.0–10.0	1 : 33 to 1 : 10	4056430				
D25RE10 VF (seals for acidic media)					4056230				
D25RE/IE10 AF (seals for alkaline media)	4056435								
D25RE/IE10 VF (seals for acidic media)	4056235								
D25RE/IE10 AF (seals for inorganic acids)	0.1–0.9	1 : 1000 to 1 : 112			10–2500	0.3–6.0	6 x 9	PVDF A0 (Kalrez)	4056195
D25RE/IE10 VF (seals for inorganic acids)	0.2–2.0	1 : 500 to 1 : 50							4056200

/IE = with external injection

Options:

Type:		Item number:
Product intake hose V as viscous kit version.		
Type:	Hose connection:	9156040
D25RE2 ...	12 x 16 mm	
D25RE5 ... D25RE10 ...	20 x 27 mm	
An optional by-pass (BP) switch is available for series D25 and D3, which allows the intake system to be switched on/off.		9156045

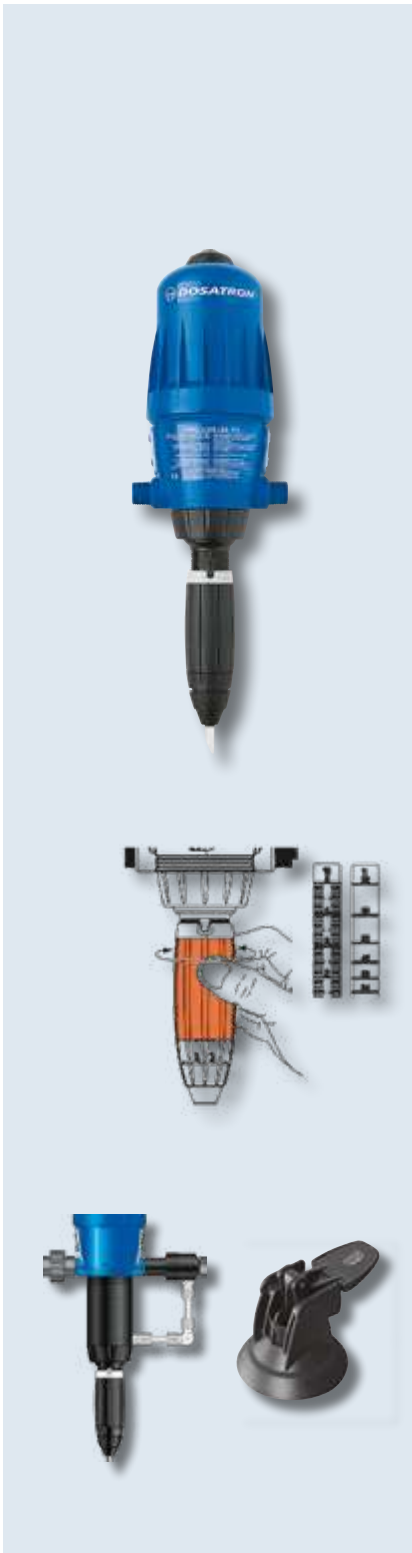
Accessories:

Type:	Item number:
½" pressure reducer male thread with pressure gauge	9156050
¾" water filter with Plexiglass container - Washable 80 micron filter cartridge	9156060
½" backflow preventer BA Micro DVGW tested (max.1000l/h)	9156070
½" backflow preventer BA Kompakt	9156080
½" stainless steel water-hammer-arrester	9156090

Recommendations:

- To maximise the service life of the doser, we recommend the following:
 - Install a filter (60 micron [300 mesh]) upstream of the doser if the water quality requires one
 - Change the dosing seals at least once a year
 - Rinse with clear water as often as possible, but at least when decommissioning
 - Adjust the doser with the pressure shut off
 - Install the necessary protective devices (flow limiters/pressure limiters and water hammer arresters etc.) in the pipeline system for protection against excess flow, excess pressure and pressure spikes.
 - Install dosers in a total by-pass system

Proportional dosing with external adjustment.



Product description:

- Dosing range: 0.03 – 25 %
- Pressure range: 0.3 – 6 bar, depending on the model
- Water flow rate: 10 – 3000 l/h
- Dosing feed rate: 0.003 – 750 l/h
- Dosing: proportional, e.g. a setting of 1 % (corresponds to a dosage of 1 : 100)
- Average dosage tolerance: ±10 %
- Reproducibility: ±3 % (API675)
- Pressure loss: 0.2 – 2.3 bar
- Maximum temperature of drive water: 40 °C
- Minimum temperature of drive water: 5 °C
- Integrated mixing chamber
- Drive:
 - hydraulic differential piston motor
 - self-priming
- Seals:
 - AF for alkaline solutions (pH 7 – 14),
 - VF acid (pH 1 – 7)
- Maximum intake height: 4 m

3

Areas of application:

- Disinfection, cleaning, hygiene, odour neutralisation, environmental industry, water treatment, food industry, horticulture, crop protection, pest control, fertilisation, pH/TH regulation, flocculation, car washes, metal processing, lubrication, oil, printing industry, car washes.

Easy adjustment of the dosing rate:

- The tips of the notch on the adjustment ring points to the corresponding value. The amount of concentrate fed is proportional to the volume of water flowing through the doser: e.g.: setting 1 % = 1 : 100 = 1 part concentrate + 100 parts water.

Operating principle:

- When connected to the water mains, the doser uses the water pressure as its driving force, which causes it to suck concentrate in and dose it at the required concentration and mix it with the drive water. The stock solution made in this way flows through the doser. The amount of product dosed is proportional to the water flow rate, even if there are fluctuations in the flow rate or water pressure.

Scope of supply:

- DOSA Tec D3 Proportional doser, inclusive suction hose with filter, wall mount

Additional technical data:

Equipment:	Realisation:
Feed	Internal feed in discharge mixing chamber
Stroke	0.53 l (1 cycle = 2 clicks)
Dosing piston	Single-acting 10%, double acting from 10% upwards
Intake valve	Spring-loaded cone valve with seal
Ventilation	Built-in ventilation
Max. viscosity of concentrate	200–800 cPs at 20 °C, from 400 cPs and > 2 % V-kit recommended for dosage
Intake	Intake filter with ballast
Connections	¾ M : BSP – NPT – Ø 20 x 27 mm
Integrated anti-siphon system	No

3

Ordering data:

Type:	Dosing rate: %	Ratio:	Waterflow rate: l/h	Pressure: bar	Hose connection: mm	Housing:	Item number:
D3RE3000 AF (seals for alkaline media)	0.03–0.3.0	1 : 3333 to 1 : 330	10–3000	0.3–6.0	4 x 6	PP	4056300
D3RE3000 VF (seals for acidic media)							4056100
D3RE2 AF (seals for alkaline media)	0.2–2.0	1 : 500 to 1 : 50	10–3000	0.3–6.0	8 x 12		4056305
D3RE2 VF (seals for acidic media)							4056105
D3RE5 AF (seals for alkaline media)	0.5–5.0	1 : 200 to 1 : 20	10–3000	0.3–6.0	12 x 16		4056310
D3RE5 VF (seals for acidic media)							4056110
D3RE10 AF (seals for alkaline media)	1.0–10.0	1 : 100 to 1 : 10	10–3000	0.5–6.0	16 x 22		4056315
D3RE10 VF (seals for acidic media)							4056115
D3RE/IE25 AF (seals for alkaline media)	5.0–25.0	1 : 20 to 1 : 4	10–2000	0.5–4.0	16 x 22		4056320
D3RE/IE25 VF (seals for acidic media)							4056120
D3RE3000 AF (seals for alkaline media)	0.03–0.3	1 : 3333 to 1 : 330	10–3000	0.3–6.0	4 x 6	PVDF	4056325
D3RE3000 VF (seals for acidic media)							4056125
D3RE2 AF (seals for alkaline media)	0.2–2.0	1 : 500 to 1 : 50	10–3000	0.3–6.0	8 x 12		4056330
D3RE2 VF (seals for acidic media)							4056130
D3RE5 AF (seals for alkaline media)	0.5–5.0	1 : 200 to 1 : 20	10–3000	0.3–6.0	12 x 16		4056335
D3RE5 VF (seals for acidic media)							4056135
D3RE10 AF (seals for alkaline media)	1.0–10.0	1 : 100 to 1 : 10	10–3000	0.5–6.0	16 x 22		4056340
D3RE10 VF (seals for acidic media)							4056140
D3RE/IE25 AF (seals for alkaline media)	5.0–25.0	1 : 20 to 1 : 4	10–2000	0.5–4.0	16 x 22		4056345
D3RE/IE25 VF (seals for acidic media)							4056145

/E = with external injection

Options:

Type:	Item number:
Product intake hose as viscous kit version	9156040
D3RE5 ...	
D3RE10 ...	
D3RE25IE* ...	
An optional by-pass switch is available for series D25 and D3, which allows the intake system to be switched on/off	
	9156045

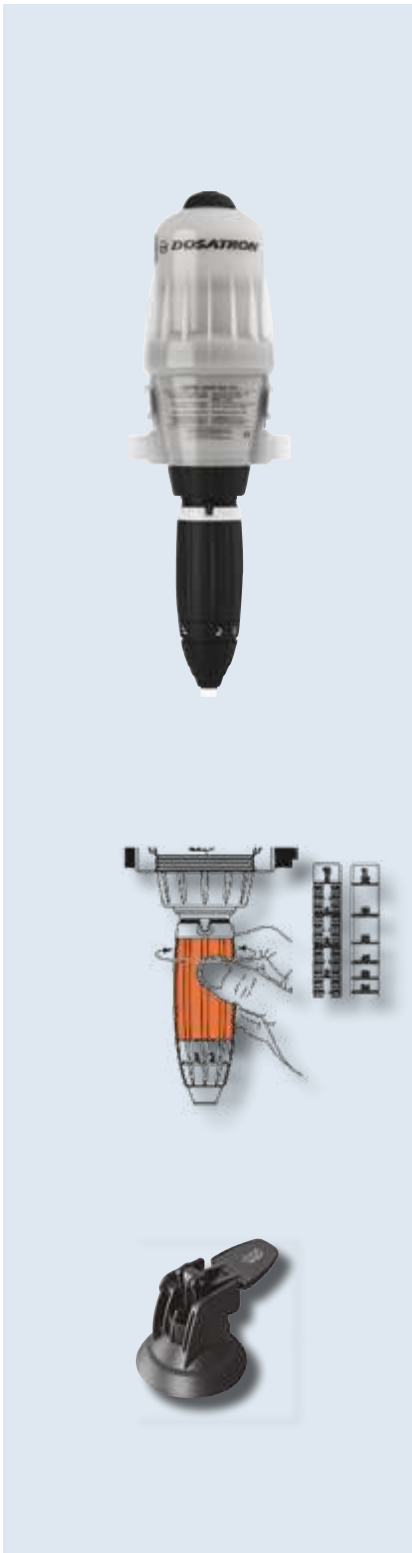
Accessories:

Type:	Item number:
½" pressure reducer male thread with pressure gauge	9156050
¾" water filter with Plexiglass container - Washable 80 micron filter cartridge	9156060
½" backflow preventer BA Micro DVGW tested (max.1000l/h)	9156070
½" backflow preventer BA Kompakt	9156080
½" stainless steel water-hammer-arrester	9156090

Recommendations:

- To maximise the service life of the doser, we recommend the following:
 - Install a filter (60 micron [300 mesh]) upstream of the doser if the water quality requires one
 - Change the dosing seals at least once a year
 - Rinse with clear water as often as possible, but at least when decommissioning
 - Adjust the doser with the pressure shut off
 - Install the necessary protective devices (flow limiters/pressure limiters and water hammer arresters etc.) in the pipeline system for protection against
 - excess flow, excess pressure and pressure spikes.
 - Install dosers in a total by-pass system

Proportional dosing with external adjustment



Product description:

- Dosing range: 0.03 – 10 %
- Pressure range: 0.3 – 6 bar, depending on the model
- Water flow rate: 100 – 3000 l/h
- Dosing feed rate: 0.003 – 300 l/h
- Dosing: proportional, e.g. a setting of 1 % (corresponds to a dosage of 1 : 100)
- Average dosage tolerance: ±10 %
- Reproducibility: ±3 % (API675)
- Pressure loss: 0.2 – 2.3 bar
- Maximum temperature of drive water: 70 °C
- Minimum temperature of drive water: 5 °C
- Integrated mixing chamber
- Drive:
 - hydraulic differential piston motor
 - self-priming
- Seals:
 - AF for alkaline solutions (pH 7 – 14)
 - VF acid (pH 1 – 7)
- Maximum intake height: 4 m

3

Areas of application:

- Disinfection, cleaning, hygiene, odour neutralisation, environmental industry, water treatment, food industry, horticulture, crop protection, pest control, fertilisation, pH/TH regulation, flocculation, car washes, metal processing, lubrication, oil, printing industry, car washes

Easy adjustment of the dosing rate:

- The tips of the notch on the adjustment ring points to the corresponding value. The amount of concentrate fed is proportional to the volume of water flowing through the doser: e.g.: setting 1 % = 1 : 100 = 1 part concentrate + 100 parts water.

Operating principle:

- When connected to the water mains, the doser uses the water pressure as its driving force, which causes it to suck concentrate in and dose it at the required concentration and mix it with the drive water. The stock solution made in this way flows through the doser. The amount of product dosed is proportional to the water flow rate, even if there are fluctuations in the flow rate or water pressure.

Scope of supply:

- DOSA Tec D3T Proportional doser, inclusive suction hose with filter, wall mount

Additional technical data:

Equipment:	Realisation:
Feed	Internal feed in discharge mixing chamber
Stroke	0.53 l (1 cycle = 2 clicks)
Dosing piston	Single-acting 10%
Intake valve	Spring-loaded cone valve with seal
Ventilation	Built-in ventilation
Max. viscosity of concentrate	200 – 800 cPs at 20 °C, from 400 cPs and > 2 % V-kit recommended for dosagen
Intake	Intake filter with ballast
Connections	¾ M : BSP – NPT – Ø 20 x 27 mm
Integrated anti-siphon system	No

Ordering data:

Type:	Dosing rate: %	Ratio:	Waterflow rate: l/h	Pressure: bar	Hose connection: mm	Housing:	Item number:
D3TRE3000 AF (seals for alkaline media)	0.03 – 0.3	1 : 3333 to 1 : 330	10 ... 3000	0,3 ... 6	4 x 6	PVDF	4056302
D3TRE3000 VF (seals for acidic media)							4056102
D3TRE5 AF (seals for alkaline media)	0.5 – 5	1 : 200 to 1 : 20	10 ... 3000	0,3 ... 6	12 x 16		4056311
D3TRE VF (seals for acidic media)							4056111
D3TRE AF (seals for alkaline media)	1 – 10	1 : 100 to 1 : 10	10 ... 3000	0,5 ... 6	16 x 22		4056316
D3TRE VF (Dichtungen für saure Medien)							4056116

Options:

Type:	Hose connection:	Item number:
Product intake hose as viscous kit version	20 x 27 mm	9156040
D3RE5 ...		
D3RE10 ...		
An optional by-pass switch is available for series D25 and D3, which allows the intake system to be switched on/off		9156045

Zubehör:

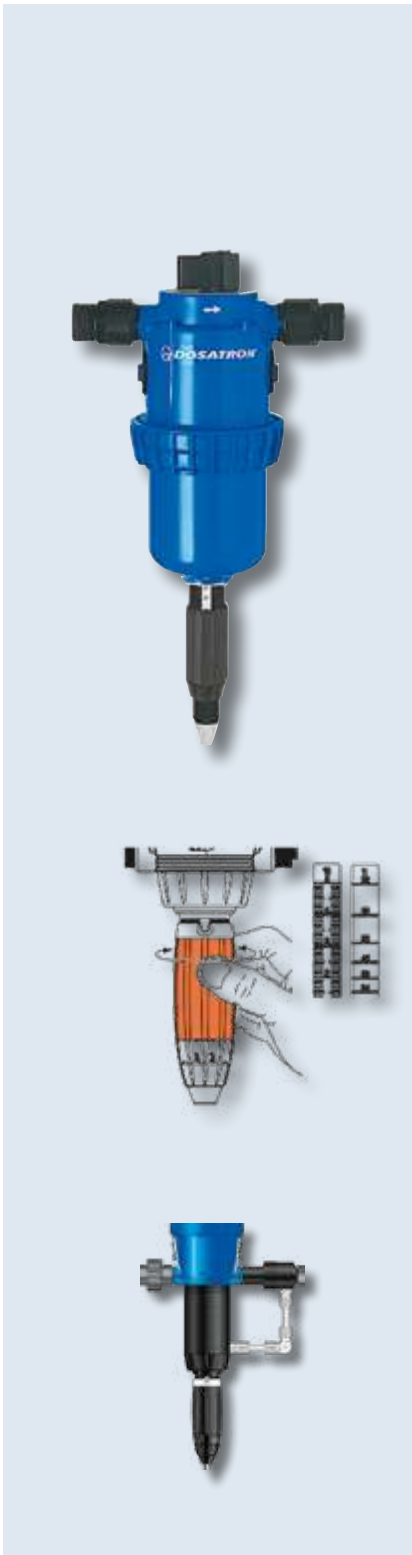
Typ:	Item number:
½" pressure reducer male thread with pressure gauge	9156050
¾" water filter with Plexiglass container - Washable 80 micron filter cartridge	9156060
½" backflow preventer BA Micro DVGW tested (max.1000l/h)	9156070
DVGW tested (max.1000l/h) 9156070	9156080
½" stainless steel water-hammer-arrester	9156090

Recommendations:

- To maximise the service life of the doser, we recommend the following:
 - Install a filter (60 micron [300 mesh]) upstream of the doser if the water quality requires one
 - Change the dosing seals at least once a year
 - Rinse with clear water as often as possible, but at least when decommissioning
 - Adjust the doser with the pressure shut off
 - Install the necessary protective devices (flow limiters/pressure limiters and water hammer arresters etc.) in the pipeline system for protection against
 - excess flow, excess pressure and pressure spikes.
 - Install dosers in a total by-pass system

Technische Änderungen und Druckfehler vorbehalten. Abbildungen können ggf. abweichen.
20.07.2023

Proportional dosing with external adjustment and integrated bypass.



Product description:

- Dosing range: 0.03–8 %
- Pressure range: 0.5–5 bar, depending on the model
- Water flow rate: 100 – 4500 l/h
- Dosing feed rate: 0.033– 360 l/h
- Dosing: proportional, e.g. a setting of 1 % (corresponds to a dosage of 1 : 100)
- Average dosage tolerance: ±10 %
- Reproducibility: ±3 % (API675)
- Pressure loss: 0.2D45RE82.3 bar
- Maximum temperature of drive water: 40 °C
- Minimum temperature of drive water: 5 °C
- Integrated mixing chamber
- Bypass switch for switching on and off the metering
- Drive:
 - hydraulic differential piston motor
 - self-priming
- Seals:
 - AF for alkaline solutions (pH 7 – 14)
 - VF acid (pH 1 – 7)
- Maximum intake height: 4 m

3

Areas of application:

- Disinfection, cleaning, hygiene, odour neutralisation, environmental industry, water treatment, food industry, horticulture, crop protection pest control, fertilisation, pH/TH regulation, flocculation, car washes, metal processing, lubrication, oil, printing industry, car washes.

Easy adjustment of the dosing rate:

- The tips of the notch on the adjustment ring points to the corresponding value. The amount of concentrate fed is proportional to the volume of water flowing through the doser: e.g.: setting 1 % = 1 : 100 = 1 part concentrate + 100 parts water.

Operating principle:

- When connected to the water mains, the doser uses the water pressure as its driving force, which causes it to suck concentrate in and dose it at the required concentration and mix it with the drive water. The stock solution made in this way flows through the doser. The amount of product dosed is proportional to the water flow rate, even if there are fluctuations in the flow rate or water pressure.

Scope of supply:

- DOSA Tec D45 Proportional doser, inclusive suction hose with filter, wall mount

Additional technical data:

Equipment:	Realisation:
Feed	Internal feed in discharge mixing chamber
Stroke	0.08 l (1 cycle = 2 clicks)
Dosing piston	Single-acting 10%, double acting from 10% upwards
Intake valve	Spring-loaded cone valve with seal
Ventilation	Built-in ventilation
Max. viscosity of concentrate	200 to 800 cPs at 20 °C, from 400 cPs and > 2 % V-kit recommended for dosage
Intake	Intake filter with ballast
Connections	1 ¼" M : BSP – NPT – Ø 33 x 42 mm
Integrated anti-siphon system	No

3

Ordering data:

Type:	Dosing rate: %	Ratio:	Waterflow rate: l/h	Pressure: bar	Hose connection: mm	Housing:	Item number:		
D45RE3000 AF (seals for alkaline media)	0.03–0.10	1 : 3333 to 1 : 1000	100 – 4500	0.5–5.0	6 x 9	PP	4056700		
D45RE3000 VF (seals for acidic media)							4056701		
D45RE15 AF (seals for alkaline media)	0.2–1.5	1 : 500 to 1 : 67			12 x 16		20 x 27	4056705	
D45RE15 VF (seals for acidic media)								4056706	
D45RE/15IE* AF (seals for alkaline media)								4056710	
D45RE/15IE* VF (seals for acidic media)								4056711	
D45RE3 AF (seals for alkaline media)	0.5–3	1 : 200 to 1 : 33			12 x 16		20 x 27	4056715	
D45RE3 VF (seals for acidic media)								4056716	
D45RE/3IE* AF (seals for alkaline media)								4056720	
D45RE/3IE* VF (seals for acidic media)								4056721	
D45RE8 AF (seals for alkaline media)	3–8	1 : 33 to 1 : 13			100 – 4500		0.5–5.0	20 x 27	4056725
D45RE8 VF (seals for acidic media)		4056726							
D45RE/8IE* AF (seals for alkaline media)		1 : 20 to 1 : 4	4056730						
D45RE/8IE* VF (seals for acidic media)		4056731							
D45RE3000 AF (seals for alkaline media)	0.03–0.1	1 : 3333 to 1 : 1000	100 – 4500	0.5–5.0	6 x 9	PVDF	4056740		
D45RE3000 VF (seals for acidic media)							4056741		
D45RE15 AF (seals for alkaline media)	0.2–1.5	1 : 500 to 1 : 67			12 x 16		20 x 27	4056745	
D45RE15 VF (seals for acidic media)								4056746	
D45RE/15IE* AF (seals for alkaline media)								4056750	
D45RE/15IE* VF (seals for acidic media)								4056751	
D45RE3 AF (seals for alkaline media)	0.5–3.0	1 : 200 to 1 : 33			12 x 16		20 x 27	4056755	
D45RE3 VF (seals for acidic media)								4056756	
D45RE/3IE* AF (seals for alkaline media)								4056760	
D45RE/3IE* VF (seals for acidic media)								4056761	
D45RE8 AF (seals for alkaline media)	3.0–8.0	1 : 33 to 1 : 13			100 – 4500		0.5–5.0	20 x 27	4056765
D45RE8 VF (seals for acidic media)		4056766							
D45RE/8IE* AF (seals for alkaline media)		1 : 20 to 1 : 4	4056770						
D45RE/8IE* VF (seals for acidic media)		4056771							

(*IE = with external injection)

Accessories:

Type:	Item number:
½" pressure reducer male thread with pressure gauge	9156050
¾" water filter with Plexiglass container - Washable 80 micron filter cartridge	9156060
½" backflow preventer BA Micro DVGW tested (max.1000l/h)	9156070
½" backflow preventer BA Kompakt	9156080
½" stainless steel water-hammer-arrester	9156090

Recommendations:

- To maximise the service life of the doser, we recommend the following:
 - Install a filter (60 micron [300 mesh]) upstream of the doser if the water quality requires one
 - Change the dosing seals at least once a year
 - Rinse with clear water as often as possible, but at least when decommissioning
 - Adjust the doser with the pressure shut off
 - Install the necessary protective devices (flow limiters/pressure limiters and water hammer arresters etc.) in the pipeline system for protection against
 - excess flow, excess pressure and pressure spikes.
 - Install dosers in a total by-pass system



3. Dosing technology

3.6. Metering stations

3.6.1.

DOSA*Tec* Dosing stations

Pre-assembled complete systems ready for connection.

Product description:

- **DOSATRONIC**® dosing stations are pre-assembled complete systems ready for connection
- The systems can be customised to meet your requirements, either as a one-off unit, a short run or serial production run
- High quality dosing stations for almost any dosing task
- The dosing pump with the appropriate O-rings (Viton® or EPDM), and the hose connections are selected according to the dosing medium (please tell us the exact dosing medium you will use the station for).
- Tanks: 60, 100, 200, 250, 500, 1000 l (special sizes possible on request)

3

Areas of application:

- The complete systems cover most standard dosing requirements.
- With special configurations, individually tailored to meet your requirements, we can also cater for complex and demanding tasks.

Scope of supply:

- Configuration according to your requirements



3.6.2.

DOSATec Mobile-R Mobile disinfection and dosing system



Mobile, compact high-performance disinfection and dosing system for volumetric and mechanical proportional dosing. *No power connection required! Any standard water supply can be used.* Ideal for surface disinfection, surface cleaning, fertilisation, washing systems, etc.

Product description:

- Proportional dosers D3RE2 VF PVDF or D3RE5 VF PVDF
- Dosing range: 0.2–2% or 0.5–5%
- Water flow rate: 10–3,000 l/h
- Pressure range: 0.3–6 bar
- Suction hose with foot valve and filter
- Stainless steel hand truck with PE console/mounting plate (white)
- Water filter (300 microns [50 mesh])
- Pressure regulator 3/4" with pressure gauge
- Non-return valve 3/4" FT
- 25 m spraying hose
- Stainless steel spray lance
- Dimensions (approx. 60 x 56 x 130 cm, W x H x D)

3



Areas of application:

- Disinfection, cleaning, hygiene, odour neutralisation, environmental industry, water treatment, food industry, horticulture, pest control, fertilisation, pH/TH regulation, flocculation, car washes, metal processing, lubrication, oil, printing industry, car washes.



Operating principle:

- When connected to the water mains, the doser uses the water pressure as its driving force,
- which causes it to draw concentrate in, dose it at the required concentration and mix it with the drive water. The stock solution made in this way flows through the doser. The amount of product dosed is proportional to the water flow rate, even if there are fluctuations in the flow rate or water pressure.

Scope of supply:

- **DOSATec Mobile-R**, Stainless steel hand truck with PE console/mounting plate, water filter, pressure regulator with pressure gauge, 3/4" FT check valve, spray attachment, stainless steel spray lance and proportional doser.

Multi-purpose:

- Deep-cleaning/disinfection of surfaces
- Suitable for fertilisation and pest control
- Regulation of the pH of water
- Even lubrication, flocculation and many more applications possible

Ordering data:

Model:	Dosing rate: %	Water flow rate: l/h	Hose connection: mm	Housing:	Item No:
Mobile-R-RE2	0.2 – 2.0	10 – 3.000	8 x 12	PVDF	3988300
Mobile-R-RE5	0.5 – 5.0	10 – 3.000	12 x 16		3988305

More proportional dosers available on request

3.6.3.

DOSATec Mobile-W mobile disinfection and dosing system



Multi-purpose:
 - Deep-cleaning/disinfection of surfaces
 - Suitable for fertilisation and pest control
 - Regulation of the pH of water
 - Even lubrication, flocculation and many more applications possible

Station version: Mobile, compact high-performance disinfection and dosing system for volumetric and mechanical proportional dosing. *No power connection required! Any standard water supply can be used.* Ideal for surface disinfection, surface cleaning, fertilisation, washing systems, etc.

Product description:

- Proportional dosers D3RE2 VF PVDF or D3RE5 VF PVDF
- Dosing range: 0.2–2% or 0.5–5%
- Water flow rate: 10–3,000 l/h
- Pressure range: 0.3–6 bar
- Suction hose with foot valve and filter
- Designed as a mobile station (see left)
- Water filter (300 microns [50 mesh])
- Pressure regulator 3/4" with pressure gauge
- Non-return valve 3/4" FT
- 25 m spraying hose
- Stainless steel spray lance
- Dimensions (approx. 77* x 180 x 60 cm, W x H x D, *incl. hose holder, removable)

Areas of application:

- Disinfection, cleaning, hygiene, odour neutralisation, environmental industry, water treatment, food industry, horticulture, pest control, fertilisation, pH/TH regulation, flocculation, car washes, metal processing, lubrication, oil, printing industry, car washes.

Operating principle:

- When connected to the water mains, the doser uses the water pressure as its driving force,
- which causes it to draw concentrate in, dose it at the required concentration and mix it with the drive water. The stock solution made in this way flows through the doser. The amount of product dosed is proportional to the water flow rate, even if there are fluctuations in the flow rate or water pressure.

Scope of supply:

- **DOSATec Mobile-W**, mobile station, water filter, pressure regulator with pressure gauge, 3/4" FT check valve, spray attachment, stainless steel spray lance and proportional doser.

Ordering data:

Model:	Dosing rate: %	Water flow rate: l/h	Hose connection: mm	Housing:	Item No:
Mobile-W-RE2	0.2–2.0	10–3,000	8 x 12	PVDF	3988400
Mobile-W-RE5	0.5–5.0	10–3,000	12 x 16		3988405
More proportional dosers available on request					



3. Dosing technology

3.7. Accessoires for Metring pumps

3.7.1.

DOSA*Tec* Injection valve IVN

Solenoid diaphragm dosing pump for exact dosing of liquid media.



Product description:

- Injection valve consisting of:
 - Body made of PVDF or PP
(Union nut, clamping ring and hose connection)
- Ceramic valve ball
- Valve spring made of Hastelloy® C 276
- O-rings/seals made of Viton® or EPDM
- Opening pressure 0.3 bar,
(other pressures available on request)

3

Areas of application:

- Dosing medium is fed into a system under pressure through the injection valve.

Scope of supply:

- DOSA*Tec* IVN injection valve with the above parts

Ordering data:

Type: (Viton®, EPDM = seals)	Valve size: inches	Connection: inches	Hose connection: mm	Corpus:	Item number:	
IVN ½ 4 x 6 PVDF/Viton®	½	½	4 x 6	PVDF	9013820	
IVN ½ 4 x 6 PVDF/EPDM			4 x 8		9013821	
IVN ½ 4 x 8 PVDF/Viton®			6 x 8		9013822	
IVN ½ 4 x 8 PVDF/EPDM			8 x 10		9013823	
IVN ½ 6 x 8 PVDF/Viton®			8 x 12		9013824	
IVN ½ 6 x 8 PVDF/EPDM			¾		12 x 18	9013825
IVN ½ 8 x 10 PVDF/Viton®		¾			13 x 16	9013826
IVN ½ 8 x 10 PVDF/EPDM					9013827	
IVN ¾ 8 x 10 PVDF/Viton®		¾			9013934	
IVN ¾ 8 x 10 PVDF/EPDM		¾			9013935	
IVN ½ 8 x 12 PVDF/Viton®		½			9013828	
IVN ½ 8 x 12 PVDF/EPDM		½	9013829			
IVN ¾ 12 x 18 PVDF/Viton®	¾	¾	12 x 18	9013936		
IVN ¾ 12 x 18 PVDF/EPDM			13 x 16	9013937		
IVN ¾ 13 x 16 PVDF/Viton®			9013932			
IVN ¾ 13 x 16 PVDF/EPDM	¾	¾	9013933			

Viton® is the registered trademark for DuPont Dow Elastomer.

Subject to technical modifications and printing errors. Images may vary slightly from actual product.
16.08.2016

Ordering data:

Type: (Viton®, EPDM = seals)	Valve size: inches	Connection: inches	Hose connection: mm	Corpus:	Item number:	
IVN ½ 4 x 6 PP/Viton®	½	½	4 x 6	PP	9013005	
IVN ½ 4 x 6 PP/EPDM			4 x 8		9013006	
IVN ½ 4 x 8 PP/Viton®			6 x 8		9013030	
IVN ½ 4 x 8 PP/EPDM			8 x 10		9013031	
IVN ½ 6 x 8 PP/Viton®			¾		8 x 12	9013009
IVN ½ 6 x 8 PP/EPDM					12 x 18	9013010
IVN ½ 8 x 10 PP/Viton®					13 x 16	9013034
IVN ½ 8 x 10 PP/EPDM		¾	¾		12 x 18	9013033
IVN ¾ 8 x 10 PP/Viton®						9013011
IVN ¾ 8 x 10 PP/EPDM						9013021
IVN ½ 8 x 12 PP/Viton®						9013013
IVN ½ 8 x 12 PP/EPDM						9013014
IVN ¾ 12 x 18 PP/Viton®						9013023
IVN ¾ 12 x 18 PP/EPDM		9013026				
IVN ¾ 13 x 16 PP/Viton®	¾	¾	13 x 16	9013019		
IVN ¾ 13 x 16 PP/EPDM				9013021		

3.7.2.

DOSA*Tec* Injection lance LINI

Injection lances for feeding dosing media into pressurised systems.



Product description:

- Variable insertion length, max. 150 mm
- maximum dosage approx. 20 l/h
- optionally available with or without a shut-off ball valve made of PVC or PVDF
- Material for union nut, clamping ring, hose connection and injection lance PVDF or PP
 - PVDF 25 °C/16 bar, 140 °C/2 bar
 - PP 25 °C/16 bar, 60 °C/3 bar
- Ceramic valve ball
- Valve spring made of Hastelloy® C 276
- O-rings/seals made of Viton® or EPDM
- Threaded connection ½" (male thread)
- Total length: 290.9 mm
- Immersion lengths:
 - without shut-off ball valve: max. 150 mm
 - with shut-off ball valve: max. 90 mm

Areas of application:

- Injection lances are fittings which are used for feeding dosing media into systems under pressure.
- The construction method enables maintenance and cleaning of the lance to be carried out even under pressure.

Scope of supply:

- **DOSA*Tec* LINI** injection lance with the above components and your selection criteria

Ordering data:

Type: (Please specify the hose connection when ordering, e.g. 4 x 6 mm)	Connection: inches (male thread)	Hose connection: mm	Corpus:	Seals:	Item number:
LINI-V PVDF/Viton®	½	4 x 6 4 x 8 6 x 8 8 x 10 8 x 12	PVDF	Viton®	9013041
LINI-R PVDF/Viton® with PVC ball valve				Viton®	9013043
LINI-E PVDF/EPDM				EPDM	9013042
LINI-R PVDF/EPDM with PVC ball valve				EPDM	9013044
LINI-V PP/Viton®			PP	Viton®	9013045
LINI-E PP/Viton® with PVC ball valve				Viton®	9013047
LINI-E PP/EPDM				EPDM	9013046
LINI-E PP/EPDM with PVC ball valve				EPDM	9013048

Options:

Type:	Item number:
Extension: 5 cm	9013085
Extension: 10 cm	9013086
Extension: 15 cm	9013087

Viton® is the registered trademark for DuPont Dow Elastomer.

Subject to technical modifications and printing errors. Images may vary slightly from actual product.
16.08.2017

3.7.3.

DOSA*Tec* Foot valve **FV Axial** optionally available with a level switch

Foot valve with axially mounted level switch.



Product description:

- Body made of PVDF or PP
- Union nut, clamping ring and hose connection made of PVDF
- Ceramic valve ball
- O-rings/seals made of Viton® or EPDM
- Strainer and weight
- Axially mounted level switch can be operated as a:
 - normally open (N.O.)
 - or normally closed contact (N.C.)

Areas of application:

- As a non-return valve with normally open or normally closed contact, optionally available with a level switch.

Scope of supply:

- DOSA*Tec* **FV Axial** foot valve, 2 m connection cable with BNC plug

Ordering data:

Type: (Viton®, EPDM = seals)	Hose connection: mm	Valve size: inches	Level switch as a:	Body:	Item number:		
FV Axial 4 x 6 Viton®	4 x 6	½	Normally open contact (N.O.)	PVDF	9013540		
FV Axial 4 x 6 EPDM					9013541		
FV Axial 4 x 8 Viton®	4 x 8				9013542		
FV Axial 4 x 8 EPDM					9013543		
FV Axial 6 x 8 Viton®	6 x 8				9013544		
FV Axial 6 x 8 EPDM					9013545		
FV Axial 8 x 10 Viton®	8 x 10				9013546		
FV Axial 8 x 10 EPDM					9013547		
FV Axial 8 x 12 Viton®	8 x 12				9013548		
FV Axial 8 x 12 EPDM					9013549		
FV Axial 4 x 6 Viton®	4 x 6				Normally closed contact (N.C.)	PVDF	9013550
FV Axial 4 x 6 EPDM							9013551
FV Axial 4 x 8 Viton®	4 x 8		9013552				
FV Axial 4 x 8 EPDM			9013553				
FV Axial 6 x 8 Viton®	6 x 8		9013554				
FV Axial 6 x 8 EPDM			9013555				
FV Axial 8 x 10 Viton®	8 x 10		9013556				
FV Axial 8 x 10 EPDM			9013557				
FV Axial 8 x 12 Viton®	8 x 12		9013558				
FV Axial 8 x 12 EPDM			9013559				
FV Axial 4 x 6 Viton®	4 x 6			PP			8813300
FV Axial 4 x 6 EPDM							8813301
FV Axial 4 x 8 Viton®	6 x 8				8813305		
FV Axial 4 x 8 EPDM					8813306		
FV Axial 6 x 8 Viton®	8 x 12	8813310					
FV Axial 6 x 8 EPDM		8813311					

Viton® is the registered trademark for DuPont Dow Elastomer.

Subject to technical modifications and printing errors. Images may vary slightly from actual product.
16.08.2016

3.7.4.

DOSA Tec Suction lance SL 4

Suction lance with lateral hose connection, volumetric delivery: up to 20 l/h.



Product description:

- Corpus: PVC
- O-rings/seals made of Viton® or EPDM
- Volumetric delivery: up to 20 l/h
- Hose connection: lateral
- With one or two outlets
- 1 ½" connection for recirculation/venting (4 x 6 mm)
- Immersion depth adjustable
- Level switch with connection cable (2 m) and BNC plug, with 2 cores as an option (please indicate when ordering if a cable without a plug is required)
- Second level switch (standard spacing 10 cm, other spacings possible on request)
- Hose connection: 4 x 6 mm, 4 x 8 mm
- Distance between switching contact and foot: 45 mm

Areas of application:

- Installation in a dosing tank with screw lid or in the screw lid for an original delivery container.

Scope of supply:

- **DOSA Tec SL 4** suction lance, 2 m connection cable with BNC plug (standard) or, optionally, without a plug (2-core, please indicate when ordering)

Ordering data:

Type: (Viton®, EPDM = seals)	Hose connection: mm	Outlet: number	Level: number	Corpus:	Item number:
SL4, L = 40 cm Viton®	4 x 6	1	1	PVC	4413400
SL4, L = 40 cm EPDM					4413401
SL4, L = 63 cm Viton®					4413405
SL4, L = 63 cm EPDM					4413406
SL4, L = 75 cm Viton®					4413410
SL4, L = 75 cm EPDM					4413411
SL4, L = 85 cm Viton®					4413415
SL4, L = 85 cm EPDM					4413416
SL4, L = 108 cm Viton®					4413420
SL4, L = 108 cm EPDM					4413421
SL4, L = 122 cm Viton®					4413425
SL4, L = 122 cm EPDM					4413426
SL4, L = 40 cm Viton®	4 x 8	1	1		4413430
SL4, L = 40 cm EPDM					4413431
SL4, L = 63 cm Viton®					4413435
SL4, L = 63 cm EPDM					4413436
SL4, L = 75 cm Viton®					4413440
SL4, L = 75 cm EPDM					4413441
SL4, L = 85 cm Viton®					4413445
SL4, L = 85 cm EPDM					4413446
SL4, L = 108 cm Viton®					4413450
SL4, L = 108 cm EPDM					4413451
SL4, L = 122 cm Viton®					4413455
SL4, L = 122 cm EPDM					4413456

Viton® is the registered trademark for DuPont Dow Elastomer.

Ordering data:

Type: (Viton®, EPDM = seals)	Hose connection: mm	Outlet: number	Level: number	Corpus	Item number:
SL4, L = 40 cm Viton®	4 x 6	1	2	PVC	4413460
SL4, L = 40 cm EPDM					4413461
SL4, L = 63 cm Viton®					4413465
SL4, L = 63 cm EPDM					4413466
SL4, L = 75 cm Viton®					4413470
SL4, L = 75 cm EPDM					4413471
SL4, L = 85 cm Viton®					4413475
SL4, L = 85 cm EPDM					4413476
SL4, L = 108 cm Viton®					4413480
SL4, L = 108 cm EPDM					4413481
SL4, L = 122 cm Viton®					4413485
SL4, L = 122 cm EPDM					4413486
SL4, L = 40 cm Viton®	4 x 8	1	2	PVC	4413490
SL4, L = 40 cm EPDM					4413491
SL4, L = 63 cm Viton®					4413495
SL4, L = 63 cm EPDM					4413496
SL4, L = 75 cm Viton®					4413500
SL4, L = 75 cm EPDM					4413501
SL4, L = 85 cm Viton®					4413505
SL4, L = 85 cm EPDM					4413506
SL4, L = 108 cm Viton®					4413510
SL4, L = 108 cm EPDM					4413511
SL4, L = 122 cm Viton®					4413515
SL4, L = 122 cm EPDM					4413516
SL4, L = 40 cm Viton®	4 x 6	2	1	PVC	4413520
SL4, L = 40 cm EPDM					4413521
SL4, L = 63 cm Viton®					4413525
SL4, L = 63 cm EPDM					4413526
SL4, L = 75 cm Viton®					4413530
SL4, L = 75 cm EPDM					4413531
SL4, L = 85 cm Viton®					4413535
SL4, L = 85 cm EPDM					4413536
SL4, L = 108 cm Viton®					4413540
SL4, L = 108 cm EPDM					4413541
SL4, L = 122 cm Viton®					4413545
SL4, L = 122 cm EPDM					4413546
SL4, L = 40 cm Viton®	4 x 8	2	1	PVC	4413550
SL4, L = 40 cm EPDM					4413551
SL4, L = 63 cm Viton®					4413555
SL4, L = 63 cm EPDM					4413556
SL4, L = 75 cm Viton®					4413560
SL4, L = 75 cm EPDM					4413561
SL4, L = 85 cm Viton®					4413565
SL4, L = 85 cm EPDM					4413566
SL4, L = 108 cm Viton®					4413570
SL4, L = 108 cm EPDM					4413571
SL4, L = 122 cm Viton®					4413575
SL4, L = 122 cm EPDM					4413576
SL4, L = 40 cm Viton®	4 x 6	2	2	PVC	4413590
SL4, L = 40 cm EPDM					4413591
SL4, L = 63 cm Viton®					4413600
SL4, L = 63 cm EPDM					4413601
SL4, L = 75 cm Viton®					4413605
SL4, L = 75 cm EPDM					4413606

Viton® is the registered trademark for DuPont Dow Elastomer.

Subject to technical modifications and printing errors. Images may vary slightly from actual product.
27.03.2019

Ordering data:

Type: (Viton®, EPDM = seals)	Hose connection: mm	Outlet: number	Level: number	Corpus:	Item number:
SL4, L = 85 cm Viton®	4 x 6	2	2	PVC	4413610
SL4, L = 85 cm EPDM					4413611
SL4, L = 108 cm Viton®					4413615
SL4, L = 108 cm EPDM					4413616
SL4, L = 122 cm Viton®					4413620
SL4, L = 122 cm EPDM					4413621
SL4, L = 40 cm Viton®	4 x 8	2	2	PVC	4413630
SL4, L = 40 cm EPDM					4413631
SL4, L = 63 cm Viton®					4413635
SL4, L = 63 cm EPDM					4413636
SL4, L = 75 cm Viton®					4413640
SL4, L = 75 cm EPDM					4413641
SL4, L = 85 cm Viton®					4413645
SL4, L = 85 cm EPDM					4413646
SL4, L = 108 cm Viton®					4413650
SL4, L = 108 cm EPDM					4413651
SL4, L = 122 cm Viton®					4413655
SL4, L = 122 cm EPDM					4413656

Viton® is the registered trademark for DuPont Dow Elastomer.

Options:

Type:	Item number:
Please indicate when ordering if a cable without a plug (2-core) is required	Please specify
Return port for SL4 and SL5 + filters in blue	9013524
Return port for SL4 and SL5 + filters in red	9013520
Return connection with screw cap C51 or C61	9013526

3.7.5.

DOSA Tec Suction lance SL 5

Suction lance with lateral hose connection, volumetric delivery: 20 l/h and above.



Product description:

- Corpus: PVC
- O-Rings made of Viton® or EPDM
- Volumetric delivery: 20 l/h and above
- Hose connection: lateral
- With one or two outlets
- 1 ½" connection for recirculation/venting (4 x 6 mm)
- Immersion depth adjustable
- Level switch with connection cable (2 m) and BNC plug, with 2 cores as an option (please indicate when ordering if a cable without a plug is required)
- Hose connection: 4 x 6, 4 x 8, 6 x 8, 8 x 10, 8 x 12, 12 x 18, 13 x 16 mm
- Distance between switching contact and foot: 45 mm

Areas of application:

- Installation in a dosing tank with screw lid or in the screw lid for an original delivery container.

Scope of supply:

- DOSA Tec SL 5 suction lance, 2 m connection cable with BNC plug (standard) or optionally, without a plug (2-core, please indicate when ordering).

Ordering data:

Type: (Viton®, EPDM = seals)	Hose connection: mm	Outlet: number	Corpus:	Item number:
SL5, L = 40 cm Viton®	4 x 6	1	PVC	4513100
SL5, L = 40 cm EPDM				4513101
SL5, L = 63 cm Viton®				4513105
SL5, L = 63 cm EPDM				4513106
SL5, L = 75 cm Viton®				4513110
SL5, L = 75 cm EPDM				4513111
SL5, L = 85 cm Viton®				4513115
SL5, L = 85 cm EPDM				4513116
SL5, L = 108 cm Viton®				4513120
SL5, L = 108 cm EPDM				4513121
SL5, L = 122 cm Viton®				4513125
SL5, L = 122 cm EPDM				4513126
SL5, L = 40 cm Viton®	4 x 8	1	PVC	4513130
SL5, L = 40 cm EPDM				4513131
SL5, L = 63 cm Viton®				4513135
SL5, L = 63 cm EPDM				4513136
SL5, L = 75 cm Viton®				4513140
SL5, L = 75 cm EPDM				4513141
SL5, L = 85 cm Viton®				4513145
SL5, L = 85 cm EPDM				4513146
SL5, L = 108 cm Viton®				4513150
SL5, L = 108 cm EPDM				4513151
SL5, L = 122 cm Viton®				4513155
SL5, L = 122 cm EPDM				4513156

Viton® is the registered trademark for DuPont Dow Elastomer.

Ordering data:

Type: (Viton®, EPDM = seals)	Hose connection: mm	Outlet: number	Corpus:	Item number:
SL5, L = 40 cm Viton®	6 x 8	1	PVC	4513160
SL5, L = 40 cm EPDM				4513161
SL5, L = 63 cm Viton®				4513165
SL5, L = 63 cm EPDM				4513166
SL5, L = 75 cm Viton®				4513170
SL5, L = 75 cm EPDM				4513171
SL5, L = 85 cm Viton®				4513175
SL5, L = 85 cm EPDM				4513176
SL5, L = 108 cm Viton®				4513180
SL5, L = 108 cm EPDM				4513181
SL5, L = 122 cm Viton®				4513185
SL5, L = 122 cm EPDM				4513186
SL5, L = 40 cm Viton®	8 x 10	1	PVC	4513190
SL5, L = 40 cm EPDM				4513191
SL5, L = 63 cm Viton®				4513195
SL5, L = 63 cm EPDM				4513196
SL5, L = 75 cm Viton®				4513200
SL5, L = 75 cm EPDM				4513201
SL5, L = 85 cm Viton®				4513205
SL5, L = 85 cm EPDM				4513206
SL5, L = 108 cm Viton®				4513210
SL5, L = 108 cm EPDM				4513211
SL5, L = 122 cm Viton®				4513215
SL5, L = 122 cm EPDM				4513216
SL5, L = 40 cm Viton®	8 x 12	1	PVC	4513220
SL5, L = 40 cm EPDM				4513221
SL5, L = 63 cm Viton®				4513225
SL5, L = 63 cm EPDM				4513226
SL5, L = 75 cm Viton®				4513230
SL5, L = 75 cm EPDM				4513231
SL5, L = 85 cm Viton®				4513235
SL5, L = 85 cm EPDM				4513236
SL5, L = 108 cm Viton®				4513240
SL5, L = 108 cm EPDM				4513241
SL5, L = 122 cm Viton®				4513245
SL5, L = 122 cm EPDM				4513246
SL5, L = 40 cm Viton®	12 x 18	1	PVC	4513250
SL5, L = 40 cm EPDM				4513251
SL5, L = 63 cm Viton®				4513255
SL5, L = 63 cm EPDM				4513256
SL5, L = 75 cm Viton®				4513260
SL5, L = 75 cm EPDM				4513261
SL5, L = 85 cm Viton®				4513265
SL5, L = 85 cm EPDM				4513266
SL5, L = 108 cm Viton®				4513270
SL5, L = 108 cm EPDM				4513271
SL5, L = 122 cm Viton®				4513275
SL5, L = 122 cm EPDM				4513276
SL5, L = 40 cm Viton®	13 x 16	1	PVC	4513280
SL5, L = 40 cm EPDM				4513281
SL5, L = 63 cm Viton®				4513285
SL5, L = 63 cm EPDM				4513286
SL5, L = 75 cm Viton®				4513290
SL5, L = 75 cm EPDM				4513291

Viton® is the registered trademark for DuPont Dow Elastomer.

Subject to technical modifications and printing errors. Images may vary slightly from actual product.

27.03.2019

Ordering data:

Type: (Viton®, EPDM = seals)	Hose connection: mm	Outlet: number	Corpus:	Item number:			
SL5, L = 85 cm Viton®	13 x 16	1	PVC	4513295			
SL5, L = 85 cm EPDM				4513296			
SL5, L = 108 cm Viton®				4513300			
SL5, L = 108 cm EPDM				4513301			
SL5, L = 122 cm Viton®				4513305			
SL5, L = 122 cm EPDM				4513306			
SL5, L = 40 cm Viton®	4 x 6	2	PVC	4513400			
SL5, L = 40 cm EPDM				4513401			
SL5, L = 63 cm Viton®				4513405			
SL5, L = 63 cm EPDM				4513406			
SL5, L = 75 cm Viton®				4513410			
SL5, L = 75 cm EPDM				4513411			
SL5, L = 85 cm Viton®				4513415			
SL5, L = 85 cm EPDM				4513416			
SL5, L = 108 cm Viton®				4513420			
SL5, L = 108 cm EPDM				4513421			
SL5, L = 122 cm Viton®				4513425			
SL5, L = 122 cm EPDM				4513426			
SL5, L = 40 cm Viton®				4 x 8	2	PVC	4513430
SL5, L = 40 cm EPDM							4513431
SL5, L = 63 cm Viton®	4513435						
SL5, L = 63 cm EPDM	4513436						
SL5, L = 75 cm Viton®	4513440						
SL5, L = 75 cm EPDM	4513441						
SL5, L = 85 cm Viton®	4513445						
SL5, L = 85 cm EPDM	4513446						
SL5, L = 108 cm Viton®	4513450						
SL5, L = 108 cm EPDM	4513451						
SL5, L = 122 cm Viton®	4513455						
SL5, L = 122 cm EPDM	4513456						
SL5, L = 40 cm Viton®	6 x 8	2	PVC				4513460
SL5, L = 40 cm EPDM							4513461
SL5, L = 63 cm Viton®				4513465			
SL5, L = 63 cm EPDM				4513466			
SL5, L = 75 cm Viton®				4513470			
SL5, L = 75 cm EPDM				4513471			
SL5, L = 85 cm Viton®				4513475			
SL5, L = 85 cm EPDM				4513476			
SL5, L = 108 cm Viton®				4513480			
SL5, L = 108 cm EPDM				4513481			
SL5, L = 122 cm Viton®				4513485			
SL5, L = 122 cm EPDM				4513486			
SL5, L = 40 cm Viton®				8 x 10	2	PVC	4513490
SL5, L = 40 cm EPDM							4513491
SL5, L = 63 cm Viton®	4513495						
SL5, L = 63 cm EPDM	4513496						
SL5, L = 75 cm Viton®	4513500						
SL5, L = 75 cm EPDM	4513501						
SL5, L = 85 cm Viton®	4513505						
SL5, L = 85 cm EPDM	4513506						
SL5, L = 108 cm Viton®	4513510						
SL5, L = 108 cm EPDM	4513511						
SL5, L = 122 cm Viton®	4513515						
SL5, L = 122 cm EPDM	4513516						

Viton® is the registered trademark for DuPont Dow Elastomer.

Subject to technical modifications and printing errors. Images may vary slightly from actual product.
27.03.2019

Ordering data:

Type: (Viton®, EPDM = seals)	Hose connection: mm	Outlet: number	Corpus:	Item number:
SL5, L = 40 cm Viton®	8 x 12	2	PVC	4513520
SL5, L = 40 cm EPDM				4513521
SL5, L = 63 cm Viton®				4513525
SL5, L = 63 cm EPDM				4513526
SL5, L = 75 cm Viton®				4513530
SL5, L = 75 cm EPDM				4513531
SL5, L = 85 cm Viton®				4513535
SL5, L = 85 cm EPDM				4513536
SL5, L = 108 cm Viton®				4513540
SL5, L = 108 cm EPDM				4513541
SL5, L = 122 cm Viton®				4513545
SL5, L = 122 cm EPDM				4513546
SL5, L = 40 cm Viton®	12 x 18	2	PVC	4513550
SL5, L = 40 cm EPDM				4513551
SL5, L = 63 cm Viton®				4513555
SL5, L = 63 cm EPDM				4513556
SL5, L = 75 cm Viton®				4513560
SL5, L = 75 cm EPDM				4513561
SL5, L = 85 cm Viton®				4513565
SL5, L = 85 cm EPDM				4513566
SL5, L = 108 cm Viton®				4513570
SL5, L = 108 cm EPDM				4513571
SL5, L = 122 cm Viton®				4513575
SL5, L = 122 cm EPDM				4513576
SL5, L = 40 cm Viton®	13 x 16	2	PVC	4513580
SL5, L = 40 cm EPDM				4513581
SL5, L = 63 cm Viton®				4513585
SL5, L = 63 cm EPDM				4513586
SL5, L = 75 cm Viton®				4513590
SL5, L = 75 cm EPDM				4513591
SL5, L = 85 cm Viton®				4513595
SL5, L = 85 cm EPDM				4513596
SL5, L = 108 cm Viton®				4513600
SL5, L = 108 cm EPDM				4513601
SL5, L = 122 cm Viton®				4513605
SL5, L = 122 cm EPDM				4513606

Viton® is the registered trademark for DuPont Dow Elastomer.

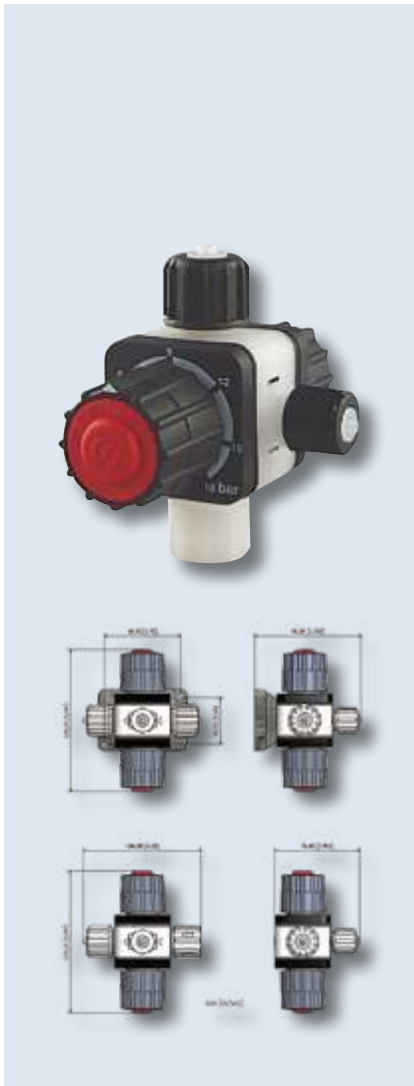
Options:

Type:	Item number:
Please indicate when ordering if a cable without a plug (2-core) is required	Please specify
Return port for SL4 and SL5 + filters in blue	9013524
Return port for SL4 and SL5 + filters in red	9013520
Return connection with screw cap C51 or C61	9013526

3.7.6.

DOSA Tec Multifunction valve MF

Pressure sustaining valve, pressure relief valve and air bleed valve in a single assembly.



Product description:

- Body: PVDF (polyvinylidene fluoride) or PP (polypropylene)
- O-rings made of Viton® or EPDM
- Pressure control from 1 to 5 bar, if used as a pressure sustaining valve
- Pressure control from 1 to 18 bar, if used as a pressure relief valve or from 1 to 10 bar (low)
- The multifunction valve is designed for pump capacities of up to 60 l/h
- Connection: 3/8", 1/2"
- Can be mounted directly to the dosing pump or to the wall

3

Areas of application:

- Pressure sustaining valve:
 - Dosing in open containers or below the level of the dosing pump (siphon principle). A rotary knob allows a counterpressure of 1 to 5 bar to be set.
- Pressure relief valve:
 - Dosing in pressurised systems where the pressure might be higher than the permitted operating pressure of the dosing pump. A rotary knob allows a counterpressure of 1 to 18 bar to be set. If the preset pressure limit is exceeded, the pressure relief valve opens and conveys the dosing media via a lateral hose connection back into the dosing tank.
- Air bleed valve to vent the dosing head manually:
 - Turn the rotary knob for pressure relief adjustment to open the valve for venting purposes.

Scope of supply:

- **DOSA Tec MF** multifunction valve, air bleed hose (PP)
- Please indicate the port size
 - Port size: 3/8", 1/2"
 - Hose connection: (4/6, 4/8, 6/8, 8/10, 8/12, 12/18) mm

Ordering data:

Type: (Viton®, EPDM = seals)	Installation:	Pressure control: bar: 1-18 1-10	Corpus:	Item number:
MF PP, Viton® Direct	Directly to the pump	1-18	PP	9013760
MF PP, EPDM Direct				9013761
MF PP, Viton® Wall	To the wall			9013772
MF PP, EPDM Wall				9013773
MF PVDF, Viton® Direct	Directly to the pump	1-10	PVDF	9013762
MF PVDF, EPDM Direct				9013763
MF PVDF, Viton® Wall	To the wall			9013765
MF PVDF, EPDM Wall				9013766

Viton® is the registered trademark for DuPont Dow Elastomer.

3.7.7.

DOSA*Tec* Multifunction valve MF-I

Pressure sustaining valve, pressure relief valve and air bleed valve in a single assembly.



MF-I



MF-I-W

Product description:

- Body/hydraulic components: PVDF (polyvinylidene fluoride)
- O-rings made of Viton® or EPDM
- Pressure control from 0 to 5 bar, if used as a pressure sustaining valve.
- Pressure control from 1 to 18 bar, if used as a pressure relief valve
- The multifunction valve is designed for pump capacities of up to 60 l/h
- Screw Connection: ½w
- Connection air bleed hose: 4 x 6 mm
- Can be mounted directly to the dosing pump

Areas of application:

- Pressure sustaining valve:
 - Dosing in open containers or below the level of the dosing pump (siphon principle).
A rotary knob allows a counterpressure of 0 to 5 bar to be set.
- Pressure relief valve:
 - Dosing in pressurised systems where the pressure might be higher than the permitted operating pressure of the dosing pump. A rotary knob allows a counterpressure of 1 to 18 bar to be set. If the preset pressure limit is exceeded, the pressure relief valve opens and conveys the dosing media via a lateral hose connection back into the dosing tank.
- Air bleed valve to vent the dosing head manually:
 - Turn the rotary knob for pressure relief adjustment to open the valve for venting purposes.

Scope of supply:

- DOSA*Tec* MF-I multifunction valve, air bleed hose (PP)

Ordering data:

Type:	Connection: mm	Seals:	Corpus:	Item number:
MF-I PVDF, Viton® 4 x 6	4 x 6	Viton®	PVDF	90230000
MF-I PVDF, Viton® 8 x 12	8 x 12			90230001
MF-I PVDF, EPDM 4 x 6	4 x 6	EPDM		90230005
MF-I PVDF, EPDM 8 x 12	8 x 12			90230006
MF-I-W PVDF, Viton® 4 x 6	4 x 6	Viton®		90230010
MF-I-W PVDF, Viton® 8 x 12	8 x 12			90230011
MF-I-W PVDF, EPDM 4 x 6	4 x 6	EPDM		90230015
MF-I-W PVDF, EPDM 8 x 12	8 x 12			90230016

Viton® is the registered trademark for DuPont Dow Elastomer.

Subject to technical modifications and printing errors. Images may vary slightly from actual product.
20.03.2018

3.7.8.

DOSA Tec Flow sensor DFS

Sensor to control the dosing capacity of solenoid-driven diaphragm dosing pumps.



Product description:

- Body: PVDF (polyvinylidene fluoride) or PP (polypropylene)
- O-rings/saels made of Viton® or EPDM
- Models:
 - Screw connection with female thread for direct connection to the dosing head
 - Hose connection and wall mounting
- Fine tuning
- Max. temperature: 45 °C
- Connection: ½" (standard), ¾" (please indicate expressly)
- Hose connection: (4 x 6, 4 x 8, 6 x 8, 8 x 10, 8 x 12, 13 x 16, 12 x 18) mm (indicate port size when ordering)

Areas of application:

- Controlling the dosing capacity of solenoid-driven diaphragm metering pumps.
- The flow sensor is either screwed directly to the pressure valve of the solenoid diaphragm dosing pump or, by means of a supplementary hose connection, mounted into the dosing line of the dosing system.

Working principle:

- Every dosing pulse causes an integrated solenoid body to bounce up and actuate an inductive proximity switch. The proximity switch records each dosing pulse and transmits it, either to the connected dosing pump or to another device that can process the signal, via a signal cable.
- Should a pulse (or several pulses in a row) be missing, e.g. due to air/gas in the dosing line, it is possible to stop the dosing pump or to generate an error message. Using an adjusting screw it is possible to adjust the flow rate and the sensor sensitivity to suit the system requirements.

Scope of supply:

- **DOSA Tec DFS** Flow sensor, 1.5 m signal cable with BNC plug and LED
 - Please indicate the required hose connection when ordering, if required (e.g. 6 x 8 mm)
 - Please indicate special connection ports (¾") when ordering

Ordering data:

Type:	Installation:	Connection:	Pressure control: bar	Corpus:	Seals:	Item number:
DFSS/V Viton® PVDF	wall	½"	1 ... 18	PVDF	Viton®	9013376
DFSS/D EPDM PVDF					EPDM	9013379
DFS/D EPDM PVDF	direct				EPDM	9013377
DFS/V Viton® PVDF					Viton®	9013378
DFSS/V Viton® PP	wall			PP	Viton®	9013380
DFSS/D EPDM PP					EPDM	9013381
DFS/V Viton® PP	direct				Viton®	9013382
DFS/D EPDM PP					EPDM	9013383

Viton® is the registered trademark for DuPont Dow Elastomer.

Subject to technical modifications and printing errors. Images may vary slightly from actual product.
19.02.2021

3.7.9.

DOSA *Tec* Pulsation damper SOIM

Pulsation dampers used for compensating pressure surges and pressure resistances in longer dosing lines.



Product description:

- Body: PVC, PVDF or stainless steel
- O-rings/seals made of Viton® or EPDM
- Temperature/pressure of SOIM 1 made of PVC: 45 °C/5 bar
- Temperature/pressure of SOIM 3 made of PVDF: 45 °C/10 bar
- Temperature/pressure of SOIM SS made of stainless steel: 130 °C/10 bar
- Hose connection:
 - for 3/8": (4 x 6, 4 x 8, 6 x 8) mm, please indicate when ordering
 - for 1/2": (6 x 8, 8 x 10, 8 x 12, 12 x 18) mm, please indicate when ordering

Areas of application:

- Pulsation dampers are used for compensating pressure surges and pressure resistances which can occur in longer dosing lines.

Working principle:

- An air/gas bubble forms in the upper part of the pressure vessel. The pressure surges caused by the oscillating membrane movement are attenuated by the gas bubble, so that the dosing flow becomes steady.

The following formula can be used to determine the correct size of the pulsation damper:

- $\text{Volume (l)} = \frac{\text{pressure (bar)} \times \text{volume to be dosed (l)}}{500}$
- The volume of the pulsation damper has to be equal to or higher than volume (l).

Scope of supply:

- **DOSA *Tec* SOIM** pulsation damper stainless steel mounting bracket (please indicate the connection and the hose connection when ordering, e.g. 3/8" with 6 x 8 mm)

Ordering data:

Type:	Connection: inches	Volume: ml	Pressure: max. bar	Temperature: max. °C	Corpus:	Seals:	Item number:
SOIM 1/V	1/2	500	5	45	PVC	Viton®	9013285
SOIM 1/E			10	130		EPDM	9013286
SOIM 1 SS/V			Stainless steel	Viton®	9013288		
SOIM 1 SS/D				EPDM	9013289		
SOIM 3/V	3/8	90	5	45	PVC	Viton®	9013281
SOIM 3/D			10			EPDM	9013284
SOIM 3K/V			PVDF	Viton®	9013287		
SOIM 3K/D				EPDM	9013283		

Viton® is the registered trademark for DuPont Dow Elastomer.

Subject to technical modifications and printing errors. Images may vary slightly from actual product.
17.08.2016

3.7.10.

DOSA*Tec* Dosing tank DB A

Dosing tanks made of UV-stabilised polyethylene (PE), with handhole and screw lid.



Product description:

- Moulded litre scale
- Moulded ¾" threaded outlet socket (not perforated) with sealing plug and seal (EPDM)
- Four M6 moulded insert nuts (except for DB-A 35) for mounting fastening bracket
- Colour: Natural (standard), black, blue, red (optional)

3

Areas of application:

- Storage of liquid dosing chemicals.

Scope of supply:

- DOSA*Tec* DB A dosing tank tank with screw lid

Ordering data:

Type:	Storage capacity: l	Diameter: mm	Diameter: mm (handhole)	Height: mm	Weight: kg	Item number:
DB A 35	35	320	70	500	3.0	4091020
DB A 75	75	460	160	625	5.5	4091021
DB A 100	100	460		785	6.5	4091022
DB A 140	140	600		660	9.0	4091023
DB A 200	200	600		880	11.0	4091024
DB A 250	250	670		885	13.0	4091025
DB A 300	300	670		1030	15.5	4091026
DB A 400	400	790		985	20.0	4091027
DB A 500	500	790		1180	23.5	4091028

Subject to technical modifications and printing errors. Images may vary slightly from actual product.
20.07.2017

Options:

Type:	Item number:
Black tank (15 % surcharge)	4091200
Blue tank (30 % surcharge)	4091210
Red tank (30 % surcharge)	4091205
Tank lockable (except A 35)	9091005
PVC outlet ball valve with ¾"	9088660
Mounting bracket (set of 4)	9091015

Accessories:

Type:	Item number:
Manual stamping mixer for 35 l tank, PVC	4391000
Manual stamping mixer for 75 l tank, PVC	4391002
Manual stamping mixer for 100 l tank, PVC	4391003
Manual stamping mixer for 140 l tank, PVC	4391004
Manual stamping mixer for 200 l tank, PVC	4391005
Manual stamping mixer for 250 l tank, PVC	4391006
Manual stamping mixer for 300 l tank, PVC	4391007
Manual stamping mixer for 400 l tank, PVC	4391008
Manual stamping mixer for 500 l tank, PVC	4391009
Manual agitator for 35 l tank, PVC	4291000
Manual agitator for 75 l tank, PVC	4291002
Manual agitator for 100 l tank, PVC	4291003
Manual agitator for 140 l tank, PVC	4291004
Manual agitator for 200 l tank, PVC	4291005
Manual agitator for 250 l tank, PVC	4291006
Manual agitator for 300 l tank, PVC	4291007
Manual agitator for 400 l tank, PVC	4291008
Manual agitator for 500 l tank, PVC	4291009

3.7.11.

DOSA*Tec* Dosing Tank DB C

Dosing tanks made of UV-stabilised polyethylene (PE), with handhole and screw lid.



Product description:

- Moulded litre scale
- Moulded ¾" threaded outlet socket (not perforated) with sealing plug and seal (EPDM)
- 4 moulded insert nuts for mounting holding brackets
- Colour: natural (standard), black, blue, red (optional)

3

Areas of application:

- Storage of liquid dosing chemicals.

Scope of supply:

- DOSA*Tec* DB C Dosing tank with screw lid

Ordering data:

Type:	Storage capacity: l	Diameter: mm	Diameter: mm (handhole)	Height: mm	Weight: kg	Item number:
DB C 40	40	420	70	425	2.7	4091030
DB C 60	60	420	160	580	4.6	4091031
DB C 75	75	460		600	5.5	4091032
DB C 100	100	460		760	6.5	4091033
DB C 140	140	600		660	8.0	4091034
DB C 200	200	600		880	11.0	4091035
DB C 250	250	670		880	13.0	4091036
DB C 300	300	670		1030	15.5	4091037
DB C 400	400	790		980	20.0	4091038
DB C 500	500	790		1170	23.5	4091039
DB C 800	800	1100		1020	34.0	4091040
DB C 1000	1000	1100		1240	37.0	4091041

Subject to technical modifications and printing errors. Images may vary slightly from actual product.
20.07.2017

Options:

Type:	Item number:
Black tank (15 % surcharge)	4091200
Blue tank (30 % surcharge)	4091210
Red tank (30 % surcharge)	4091205
Tank lockable (except A 35)	9091005
PVC outlet ball valve with ¾"	9088660
Mounting bracket (set of 4)	9091015

Accessories:

Type:	Item number:
Manual stamping mixer for 40 l tank, PVC	4391000
Manual stamping mixer for 60 l tank, PVC	4391001
Manual stamping mixer for 75 l tank, PVC	4391002
Manual stamping mixer for 100 l tank, PVC	4391003
Manual stamping mixer for 140 l tank, PVC	4391004
Manual stamping mixer for 200 l tank, PVC	4391005
Manual stamping mixer for 250 l tank, PVC	4391006
Manual stamping mixer for 300 l tank, PVC	4391007
Manual stamping mixer for 400 l tank, PVC	4391008
Manual stamping mixer for 500 l tank, PVC	4391009
Manual stamping mixer for 800 l tank, PVC	4391010
Manual stamping mixer for 1000 l tank, PVC	4391011
Manual agitator for 40 l tank, PVC	4291000
Manual agitator for 60 l tank, PVC	4291001
Manual agitator for 75 l tank, PVC	4291002
Manual agitator for 100 l tank, PVC	4291003
Manual agitator for 140 l tank, PVC	4291004
Manual agitator for 200 l tank, PVC	4291005
Manual agitator for 250 l tank, PVC	4291006
Manual agitator for 300 l tank, PVC	4291007
Manual agitator for 400 l tank, PVC	4291008
Manual agitator for 500 l tank, PVC	4291009
Manual agitator for 800 l tank, PVC	4291010
Manual agitator for 1000 l tank, PVC	4291011

3.7.12.

DOSA*Tec* Dosing tank DB E

Dosing tanks made of UV-stabilised polyethylene (PE), with handhole and screw lid.



Product description:

- Moulded litre scale
- Moulded ¾" threaded outlet socket (not perforated) with sealing plug and seal (EPDM)
- 4 moulded insert nuts for mounting holding brackets
- Colour: Natural (standard), black, blue, red (optional)

3

Areas of application:

- Storage of liquid dosing chemicals.

Scope of supply:

- DOSA*Tec* DB E dosing tank with screw lid

Ordering data:

Type:	Storage capacity: l	Diameter: mm	Diameter: mm (handhole)	Height: mm	Weight: kg	Item number:
DB E 35	35	320	70	500	2.5	4091000
DB E 60	60	420	160	640	4.4	4091001
DB E 100	100	450		810	6.2	4091002
DB E 200	200	550		1030	10.0	4091003
DB E 300	300	655		1110	14.0	4091004
DB E 500	500	770		1230	22.0	4091005
DB E 750	750	970		1170	32.0	4091006
DB E 1000	1000	1080		1260	37.5	4091007
DB E 1100	1100	1110		1340	On request	4091009
DB E 1400	1400	1100		1660		4091010
DB E 1700	1700	1210		1715		4091011
DB E 2000	2000	1310		1715		4091012

Subject to technical modifications and printing errors. Images may vary slightly from actual product.
20.07.2017

Ordering data:

Type:	Storage capacity: l	Diameter: mm	Diameter: mm (handhole)	Height: mm	Weight: kg	Item number:
DB E 2050	2050	1210	160	2020	On request	4091013
DB E 2400	2400	1310		2005		4091014
DB E 2500	2500	1470		1715		4091015
DB E 3000	3000	1470		2202		4091016

Options:

Type:	Item number:
Black tank (15 % surcharge)	4091200
Blue tank (30 % surcharge)	4091210
Red tank (30 % surcharge)	4091205
Tank lockable (except A 35)	9091005
PVC outlet ball valve with ¾"	9088660
Mounting bracket (set of 4)	9091015

Accessories:

Type:	Item number:
Manual stamping mixer for 35 l tank, PVC	4391000
Manual stamping mixer for 60 l tank, PVC	4391001
Manual stamping mixer for 100 l tank, PVC	4391003
Manual stamping mixer for 200 l tank, PVC	4391005
Manual stamping mixer for 300 l tank, PVC	4391007
Manual stamping mixer for 500 l tank, PVC	4391009
Manual stamping mixer for 750 l tank, PVC	4391010
Manual stamping mixer for 1000 l tank, PVC	4391011
Manual stamping mixer for 1100 l tank, PVC	On request
Manual stamping mixer for 1400 l tank, PVC	
Manual stamping mixer for 1700 l tank, PVC	
Manual stamping mixer for 2000 l tank, PVC	
Manual stamping mixer for 2050 l tank, PVC	
Manual stamping mixer for 2400 l tank, PVC	
Manual stamping mixer for 2500 l tank, PVC	
Manual stamping mixer for 3000 l tank, PVC	On request
Manual agitator for 35 l tank, PVC	
Manual agitator for 60 l tank, PVC	
Manual agitator for 100 l tank, PVC	
Manual agitator for 200 l tank, PVC	
Manual agitator for 300 l tank, PVC	
Manual agitator for 500 l tank, PVC	
Manual agitator for 750 l tank, PVC	
Manual agitator for 1000 l tank, PVC	
Manual agitator for 1100 l tank, PVC	
Manual agitator for 1400 l tank, PVC	
Manual agitator for 1700 l tank, PVC	
Manual agitator for 2000 l tank, PVC	
Manual agitator for 2050 l tank, PVC	
Manual agitator for 2400 l tank, PVC	
Manual agitator for 2500 l tank, PVC	
Manual agitator for 3000 l tank, PVC	

3.7.13.

DOSA Tec Safety bunds 0

Safety bunds made of UV stabilised polyethylene (PE).



Product description:

- Housing of dosing tank models DB-A, DB-C, DB-E
- Made of UV stabilised polyethylene

Areas of application:

- Housing of dosing tanks.
- Drip collection.

Scope of supply:

- **DOSA Tec 0** Safety bunds
- Colour: natural (standard), black (+15 % surcharge)

Ordering data:

Type:	Storage capacity: l	Diameter: mm	Height: mm	Item number:
O 38	38	340	535	4191016
O 40	40	420	395	4191013
O 42	42	450	370	4191017
O 60	60	420	555	4191000
O 60 H	60	340	800	4191001
O 62	62	450	490	4191014
O 80	80	500	540	4191002
O 100	100	450	745	4191003
O 115	115	420	975	4191018
O 120	120	500	700	4191004
O 150	150	650	540	4191005
O 200	200	550	960	4191006
O 210	210	650	740	4191007
O 220	220	770	590	4191019
O 270	270	770	700	4191015
O 300	300	660	1000	4191008
O 320	320	770	810	4191020
O 400	400	770	970	4191009
O 410	410	860	830	4191021
O 500	500	860	980	4191010
O 500 H	500	770	1201	4191022
O 600	600	860	1200	4191023
O 750	750	1050	980	4191011
O 1000	1000	1150	1080	4191012

Subject to technical modifications and printing errors. Images may vary slightly from actual product.
17.07.2016

3.7.14.

DOSA Tec Accessories for dosing tanks DB

Accessories for efficient use of DB dosing tanks.



Product description:

- Practical accessories for DB dosing tanks.

Areas of application:

- Stirring and mixing of liquid media.

Scope of supply:

- Depending on your order:
 - Manual stamping mixer
 - Manual agitator
 - Mounting bracket

Further accessories:

- Threaded couplers, threaded nipples, flanges, flange bushings with loose flanges
- Further accessories on request

Ordering data:

Type:	Item number:
Manual stamping mixer for 35 l tank	4391000
Manual stamping mixer for 60 l tank	4391001
Manual stamping mixer for 75 l tank	4391002
Manual stamping mixer for 100 l tank	4391003
Manual stamping mixer for 140 l tank	4391004
Manual stamping mixer for 200 l tank	4391005
Manual stamping mixer for 250 l tank	4391006
Manual stamping mixer for 300 l tank	4391007
Manual stamping mixer for 400 l tank	4391008
Manual stamping mixer for 500 l tank	4391009
Manual stamping mixer for 750 l tank	4391010
Manual stamping mixer for 1000 l tank	4391011
Manual agitator for 40 l tank	4291000
Manual agitator for 60 l tank	4291001
Manual agitator for 75 l tank	4291002
Manual agitator for 100 l tank	4291003
Manual agitator for 140 l tank	4291004
Manual agitator for 200 l tank	4291005
Manual agitator for 250 l tank	4291006
Manual agitator for 300 l tank	4291007
Manual agitator for 400 l tank	4291008
Manual agitator for 500 l tank	4291009
Manual agitator for 750 l tank	4291010
Manual agitator for 1000 l tank	4291011

Subject to technical modifications and printing errors. Images may vary slightly from actual product.
17.08.2016

3.7.15.

DOSA Tec Standard agitator Mix

Agitators for mixing of liquids in dosing tanks up to a maximum viscosity of 500 cPs.



Product description:

- Balanced agitator shaft made of stainless steel (AISI 316L), with PVC sheathing, optionally PVDF
- Detachable agitator unit
- For zero-pressure operation
- Not suitable for outgassing media
- Max. temperature of the medium: 55 °C
- Protection category: IP 55
- Power supply:
 - 230/276 V, 50/60 Hz, 1-phase (Mon)
 - 400/480 V, 50/60 Hz, 3-phase (Tri)

3

Areas of application:

- Mixing of liquid media.

Scope of supply:

- **DOSA Tec Mix** standard agitator with shaft and screw

Ordering data:

Type:	Motor rating: kW	Speed: rpm	Voltage: VAC	Shaft length: mm	Screw diameter: mm	Item number:
Mix S1-PVC-MON	0.12	1400	230	600	90	42230000
Mix S2-PVC-MON				800		42230005
Mix S3-PVC-MON				900		42230010
Mix S4-PVC-MON				1100		42230015
Mix S1-AISI-MON				600		42230020
Mix S2-AISI-MON				800		42230025
Mix S3-AISI-MON				900		42230030
Mix S4-AISI-MON				1100		42230035
Mix S1-PVC-TRI		400		600		42230040
Mix S2-PVC-TRI				800		42230045
Mix S3-PVC-TRI				900		42230050
Mix S4-PVC-TRI				1100		42230055
Mix S1-AISI-TRI				600		42230060
Mix S2-AISI-TRI				800		42230065
Mix S3-AISI-TRI				900		42230070
Mix S3-AISI-TRI				1100		42230075

Subject to technical modifications and printing errors. Images may vary slightly from actual product.
17.11.2017

Ordering data:

Type:	Motor rating: kW	Speed: rpm	Voltage: VAC	Shaft length: mm	Screw diameter: mm	Item number:
Mix L1-PVC-MON	0.12	200	230	600	150/ 220	42230100
Mix L1-PVC-MON				800		42230105
Mix L3-PVC-MON				900		42230110
Mix L4-PVC-MON				1100		42230115
Mix L1-AISI-MON				600		42230120
Mix L2-AISI-MON				800		42230125
Mix L3-AISI-MON				900		42230130
Mix L4-AISI-MON				1100		42230135
Mix L1-PVC-TRI			400	600		42230140
Mix L2-PVC-TRI				800		42230145
Mix L3-PVC-TRI				900		42230150
Mix L4-PVC-TRI				1100		42230155
Mix L1-AISI-TRI				600		42230160
Mix L2-AISI-TRI				800		42230165
Mix L3-AISI-TRI				900		42230170
Mix L3-AISI-TRI				1100		42230175

Option:

Type:	Item number:
Shaft: PVDF sheathing	92230000

Additional technical data:

Information:
Mix S without transmission, speed 1400 rpm
Mix L with flanged side gear unit, speed 200 rpm



3. Dosing technology
3.8. Water meter

3.8.1.

DOSA Tec Impeller flow meter CT, CA

Flow meters made of high-grade brass die cast with plastic inner parts.



Product description:

- Impeller flow meter
- Models:
 - Wet-dial water meters (CT)
 - Dry-dial water meters (CA) with dry metering chamber
 - Cold water up to 30 °C
 - Warm water up to 90 °C
- For demineralised water and condensate
- Min. reading 0.1 l (DN 50: 0.5)
- Max. reading 105 m³
- Reed contact output, max. contact load 24 V, 100 mA
- Max. operating pressure: 16 bar
- Pressure drop at Q_{max}: 1 bar
- Pulse interval: see table
- Insulation voltage: 4000 V AC

Areas of application:

- Precise registration of flow rates
- Pulse to controller (for dosing control, e.g. dosing pumps)

Scope of supply:

- **DOSA Tec CT, CA** Impeller flow meter with screw connections and seals, standard 2 m connection cable
- Optional lengths 5, 10 and > 10 m with:
 - BNC plug (standard)
 - without plug
- Option: Calibration certificate (available on request)
- When ordering: indicate pulse sequence and plug type

Ordering data:

Typ:	Connection diameter:		Item number:
	DN	Inch/thread	
CTFI Wet-dial meter for cold water up to 30 °C	15	½" AG	4313001
	20	¾" AG	4313002
	25	1" AG	4313004
	30	1 ¼" AG	4313005
	40	1 ½" AG	4313008
	50	2" AG	4313009
CATFI Dry-dial meter for cold water up to 30 °C	15	½" AG	4313130
	20	¾" AG	4313131
	25	1" AG	4313132
	30	1 ¼" AG	4313133
	40	1 ½" AG	4313134
CATFIT Dry-dial meter for cold water up to 30 °C (PTFE coated)	50	2" AG	4313135
	15	½" AG	4313160
	20	¾" AG	4313161
	25	1" AG	4313162
	30	1 ¼" AG	4313163
40	1 ½" AG	4313164	

Subject to technical modifications and printing errors. Images may vary slightly from actual product.
25.02.2020

Ordering data:

Type:	Connection diameter: DN	Connection diameter: Inch/thread	Item number:
CATCI Dry-dial meter for hot water up to 90 °C	15	½" AG	4313120
	20	¾" AG	4313121
	25	1" AG	4313122
	30	1 ¼" AG	4313123
	40	1 ½" AG	4313124
	50	2" AG	4313125
CATCIT Dry-dial meter for hot water up to 90 °C (PTFE coated)	15	½" AG	4313170
	20	¾" AG	4313171
	25	1" AG	4313172
	30	1 ¼" AG	4313173
	40	1 ½" AG	4313174
CTFIT Teflon coated for cold water up to 30 °C	15	½" AG	4313150
	20	¾" AG	4313151
	25	1" AG	4313152
	30	1 ¼" AG	4313153
	40	1 ½" AG	4313154

Additional technical data:

Connection-type:	Connection:	Nominal flow:	Max. flow:	Minimum inflow:	Litres per pulse:	Installed length „A“: w/o screw connection:	Installed length „B“: with screw connection:	Width Ø: „C“	Height: „D“	Weight (with screw connection):
DN inches	inches thread	*Q _n in m ³	Q _{max} in m ³	l/h	l/Impuls	mm	mm	mm	mm	kg
15 ½"	½" AG	1,5	3	10	1, 10, 100, 1000 pulse se- quences**: 1 2 4	110	190	80	110	0.85
20 ¾"	¾" AG	2,5	5	15		130	228	80	110	1.1
25 1"	1" AG	3,5	7	20		160	260	100	132	1.75
30 1 ¼"	1 ¼" AG	5,0	10	20		160	280	100	132	2
40 1 ½"	1 ½" AG	10,0	20	25		200	340	110	137	3.46
50 2"	2" AG	15,0	30	50		300	460	108	130,5	6.75

* Nenndurchfluss Q_n: = ½ max. Durchfluss Q_{max} (gemäß Eichenforderung), **Standard Model, weitere Impulsfolgen auf Anfrage.

Options:

Type:	Item number:
Connection cable 5 m with BNC plug	on request
Connection cable 5 m, without plug	
Connection cable 10 m with BNC plug	
Connection cable 10 m, without plug	
Connection cable > 10 m with BNC plug	
Connection cable > 10 m, without plug	
Calibration certificate	

3.8.2.

DOSA *Tec* Impeller flow meter KWKT/KWHT

Flow meters made of high-grade brass die cast with plastic inner parts.



Product description:

- Impeller flow meter with pulse drive
- Models:
 - Dry-dial water meter with dry metering chamber
 - Cold water up to 30 °C
 - Warm water up to 90 °C
 - Teflon (PTFE)-coated roller register for aggressive media
- Design: KWKT, PTFE-coated
- Min. reading 0.1 l (DN 50: 0.5)
- Max. reading 105 m³
- Reed contact output, max. contact load 24 V, 200 mA
- Max. operating pressure: 16 bar
- Pulse intervals: see below

Areas of application:

- Precise registration of flow rates
- Pulse to controller (for dosing control)

Scope of supply:

- DOSA *Tec* KWKT/KWHT impeller flow meter with screw connections, Standard 2 m connection cable (except with Teflon), BNC plug (standard), without plug
- Please specify litres/pulse sequence and plug type when ordering

Ordering data:

Type:	Connection diameter:	Connection diameter:	Item number:
KWKT: Dry-dial meter for cold water up to 30 °C	DN	inch/thread	
KWKT 15 ½"	15	½	43113130
KWKT 20 ¾"	20	¾	43113131
KWKT 25 1"	25	1	43113132
KWKT 30 1 ¼"	30	1 ¼	43113133
KWKT 40 1 ½"	40	1 ½	43113134
KWKT 50 2"	50	2	43113135
Type:	Connection diameter:	Connection diameter:	Item number:
KWKT- PTFE (coated) Dry-dial meter for cold water up to 30 °C	DN	inch/thread	
KWKT-PTFE 15 ½" (coated)	15	½	43113160
KWKT-PTFE 20 ¾" (coated)	20	¾	43113161
KWKT-PTFE 25 1" (coated)	25	1	43113162
KWKT-PTFE 30 1 ¼" (coated)	30	1 ¼	43113163
KWKT-PTFE 40 1 ½" (coated)	40	1 ½	43113164
KWKT-PTFE 50 2" (coated)	50	2	43113165

Ordering data:

Type:	Connection diameter:	Connection diameter:	Item number:
KWHT: Dry-dial meter for hot water up to 90 °C	DN	inch/thread	
KWHT 15 ½"	15	½	43113120
KWHT 20 ¾"	20	¾	43113121
KWHT 25 1"	25	1	43113122
KWHT 30 1 ¼"	30	1 ¼	43113123
KWHT 40 1 ½"	40	1 ½	43113124
KWHT 50 2"	50	2	43113125

Additional technical data:

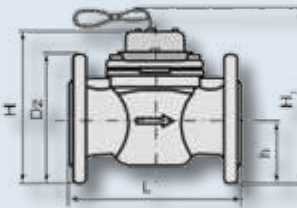
Conne- tion type:	Conne- tion thread:	Nominal flow:	Max. flow rate:	Minimum inflow:	Litres per pulse:	Installed length „A“ w/o screw connection:	Installed length „B“ with screw connection:	Diameter Ø: „C“	Height: „D“	Weight with screw connection:
DN	inches	*Q _n in m ³	Q _{max} in m ³	l/h	l/pulse	mm	mm	mm	mm	kg
15	½	1.5	3	30	0.25, 0.5, 1, 2.5, 5, 10, 25, 50, 100, 250, 500, 1000	110	190	80	108	1.05
20	¾	2.5	5	50		130	228	80	108	1.25
25	1	3.5	7	70		160	260	100	128	1.85
30	1 ¼	5.0	10	100		160	280	100	128	2.15
40	1 ½	10.0	20	200		200	340	110	142	3.54
50	2	15.0	30	450	300	460	136	140	2.50	

*Nominal flow rate Q_n: = ½ max. flow rate Q_{max} (in compliance with calibration requirements)

3.8.3.

DOSA Tec Woltmann contact water meter WW

Die cast iron, lacquer coated inside and outside, with plastic inner parts



Product description:

- Woltmann contact water meter
- Dry-dial water meter with dry metering chamber
- Operating temperature range:
 - Cold water up to 30 °C
 - Warm water up to 130 °C
- Wide measuring range
- Removable measuring insert
- Simple readout
- Magnetic coupling
- Low minimum start-up flow rate
- Materials suitable for drinking water
- Complies with ISO 4064, BS 5728, ISO/DIS 10385
- Max. operating pressure: 16 bar

3

Areas of application:

- Registration of flow rates
- Pulse to controller (for dosing control)

Scope of supply:

- DOSA Tec WW Woltmann contact water meter, standard 2 m connection cable, BNC plug (standard), without plug
- Please specify litres/pulse sequence and plug type when ordering

Ordering data:

Type:	Connection diameter:	Nominal flow:	Max. flow rate:	Item number:
WWKT contact water meter for cold water up to 30 °C	DN	m ³ /h	m ³ /h	
WWKT 50, 2" flange	50	50	90	43113050
WWKT 65, 2 ½" flange	65	60	120	43113051
WWKT 80, 3" flange	80	120	200	43113052
WWKT 100, 4" flange	100	230	300	43113053
WWKT 150, 6" flange	150	400	600	43113054
WWKT 200, 8" flange	200	750	1000	43113055
Type:	Connection diameter:	Nominal flow:	Max. flow rate:	Item number:
WWHT dry-dial meter for hot water up to 130 °C	DN	m ³ /h	m ³ /h	
WWHT 50 2" flange	50	15	30	43113060
WWHT 65 2 ½" flange	65	25	60	43113061
WWHT 80 3" flange	80	45	90	43113062
WWHT 100 4" flange	100	70	70	43113063
WWHT 150 6" flange	150	150	300	43113064
WWHT 200 8" flange	200	250	500	43113065

Additional technical data:

WWKT contact water meter up to 30 °C (dry-dial water meter)

Conne- tion type:	Nominal flow rate	Max. flow rate:	Min. flow rate:	Transitional flow rate:	Minimum inflow:	Totalizer:	Litres per: pulse	Installed length: „L“	InstalledHeight: „H“	Flange dia- meter „D ₂ “:	Weight:
DN	m ³ /h	m ³ /h	m ³ /h	m ³ /h	m ³ /h	max./m ³	l/pulse	mm	mm	mm	kg
50	50	90	0.35	0.9	0.15	106	2.5, 5, 10, 25, 50, 100, 250, 500, 1000	200	187	165	9.9
65	60	120	0.45	1.2	0.20			200	197	185	10.6
80	120	200	0.50	0.8	0.25			225	219	200	13.3
100	230	300	1.50	1.8	0.25			250	229	220	15.6
150	400	600	1.80	4.0	1.00	107		300	357	285	40.1
200	750	1000	4.00	6.0	1.50			350	387	340	51.1

3

Additional technical data:

WWHT contact water meter up to 130 °C (dry-dial water meter)

Conne- tion type:	Nominal flow rate	Max. flow rate:	Min. flow rate:	Transitional flow rate:	Minimum inflow:	Totalizer:	Litres per: pulse	Installed length: „L“	InstalledHeight: „H“	Flange dia- meter „D ₂ “:	Weight:
DN	m ³ /h	m ³ /h	m ³ /h	m ³ /h	m ³ /h	max./m ³	l/pulse	mm	mm	mm	kg
50	15	30	0.6	1.5	0.25	106	2.5, 5, 10, 25, 50, 100, 250, 500, 1000	200	187	165	9.9
65	25	60	0.8	2.0	0.30			200	197	185	10.6
80	45	90	1.4	3.2	0.35			225	219	200	13.3
100	70	70	3.5	4.8	0.60			250	229	220	15.6
150	150	300	5.5	12.0	2.00	107		300	357	285	40.1
200	250	500	10.0	20.0	4.00			350	387	340	51.1



3. Dosing technology

3.9. Static line mixer

3.9.1.

DOSA*Tec* Static line mixer **SRMK** made of plastic

Line mixer for media free of solid particles.



Product description:

- Mixing insert consisting of a slit helical structure
- The system works without any moving parts
- Operating temperatures:
 - PVC up to nominal pressure PN 16, max. 40 °C
 - PP and PE up to nominal pressure PN 10, max. 60 °C

Areas of application:

- Intense mixing of two liquid media (without solids) while flowing.

Scope of supply:

- DOSA*Tec* SRMK static line mixer, made of plastic

Ordering data:

Type:	Material:	Connection:	Nominal diameter:	Diameter:	Installation length:	Item number:
Made of PVC, with solvent cement socket (KB)			DN	DA	mm	
SRMK-PVC-KB-DN-15	PVC	KB	15	20	360	4969001
SRMK-PVC-KB-DN-20			20	25	360	4969000
SRMK-PVC-KB-DN-25			25	32	390	4969002
SRMK-PVC-KB-DN-32			32	40	405	4969003
SRMK-PVC-KB-DN-40			40	50	460	4969004
SRMK-PVC-KB-DN-50			50	63	475	4969005
SRMK-PVC-KB-DN-65			65	75	610	4969006
Type:	Material:	Connection:	Nominal diameter:	Diameter:	Installation length:	Item number:
Made of PVC, with female thread (IG)			DN	DA	mm	
SRMK-PVC-IG-DN-15	PVC	IG	15	20	360	4969100
SRMK-PVC-IG-DN-20			20	25	360	4969101
SRMK-PVC-IG-DN-25			25	32	390	4969102
SRMK-PVC-IG-DN-32			32	40	405	4969103
SRMK-PVC-IG-DN-40			40	50	460	4969104
SRMK-PVC-IG-DN-50			50	63	475	4969105
SRMK-PVC-IG-DN-65			65	75	610	4969106

Subject to technical modifications and printing errors. Images may vary slightly from actual product.
14.02.2017

Ordering data:

Type:	Material:	Connection:	Nominal diameter:	Diameter:	Installation length:	Item number:
Made of PP, with female thread (IG)	PP	IG	DN	DA	mm	
SRMK-PP-IG-DN-15			15	20	360	4969110
SRMK-PP-IG-DN-20			20	25	360	4969111
SRMK-PP-IG-DN-25			25	32	390	4969112
SRMK-PP-IG-DN-32			32	40	405	4969113
SRMK-PP-IG-DN-40			40	50	460	4969114
SRMK-PP-IG-DN-50			50	63	475	4969115
SRMK-PP-IG-DN-65			65	75	610	4969116
Type:	Material:	Connection:	Nominal diameter:	Diameter:	Installation length:	Item number:
Made of PE, with female thread (IG)	PE	IG	DN	DA	mm	
SRMK-PE-IG-DN-15			15	20	360	4969051
SRMK-PE-IG-DN-20			20	25	360	4969045
SRMK-PE-IG-DN-25			25	32	390	4969046
SRMK-PE-IG-DN-32			32	40	405	4969047
SRMK-PE-IG-DN-40			40	50	460	4969048
SRMK-PE-IG-DN-50			50	63	475	4969039
SRMK-PE-IG-DN-65			65	75	610	4969050
Type:	Material:	Connection:	Nominal diameter:	Diameter:	Installation length:	Item number:
Made of PVC, with flange (FL)	PVC	FL	DN	DA	mm	
SRMK-PVC-FL-DN-15			15	20	360	4969010
SRMK-PVC-FL-DN-20			20	25	360	4969011
SRMK-PVC-FL-DN-25			25	32	390	4969012
SRMK-PVC-FL-DN-32			32	40	405	4969013
SRMK-PVC-FL-DN-40			40	50	460	4969014
SRMK-PVC-FL-DN-50			50	63	475	4969015
SRMK-PVC-FL-DN-65			65	75	610	4969016
SRMK-PVC-FL-DN-80			80	90	750	4969017
SRMK-PVC-FL-DN-100			100	110	900	4969018
SRMK-PVC-FL-DN-125			125	140	1000	4969019
SRMK-PVC-FL-DN-150			150	160	1000	4969080
Type:	Material:	Connection:	Nominal diameter:	Diameter:	Installation length:	Item number:
Made of PP, with flange (FL)	PP	FL	DN	DA	mm	
SRMK-PP-FL-DN-15			15	20	360	4969020
SRMK-PP-FL-DN-20			20	25	360	4969021
SRMK-PP-FL-DN-25			25	32	390	4969022
SRMK-PP-FL-DN-32			32	40	405	4969023
SRMK-PP-FL-DN-40			40	50	460	4969024
SRMK-PP-FL-DN-50			50	63	475	4969025
SRMK-PP-FL-DN-65			65	75	610	4969026
SRMK-PP-FL-DN-80			80	90	750	4969027
SRMK-PP-FL-DN-100			100	110	900	4969028
SRMK-PP-FL-DN-125			125	140	1000	4969029
SRMK-PP-FL-DN-150			150	160	1000	4969030
Type:	Material:	Connection:	Nominal diameter:	Diameter:	Installation length:	Item number:
Made of PE, with flange (FL)	PE	FL	DN	DA	mm	
SRMK-PE-FL-DN-15			15	20	360	4969034
SRMK-PE-FL-DN-20			20	25	360	4969035
SRMK-PE-FL-DN-25			25	32	390	4969036
SRMK-PE-FL-DN-32			32	40	405	4969037
SRMK-PE-FL-DN-40			40	50	460	4969038
SRMK-PE-FL-DN-50			50	63	475	4969039
SRMK-PE-FL-DN-65			65	75	610	4969040
SRMK-PE-FL-DN-80			80	90	750	4969041
SRMK-PE-FL-DN-100			100	110	900	4969042
SRMK-PE-FL-DN-125			125	140	1000	4969043
SRMK-PE-FL-DN-150			150	160	1000	4969044

3.9.2.

DOSA *Tec* Static line mixer **SRME** made of stainless steel

Line mixer for media free of solid particles.



Product description:

- Mixing insert consisting of a slit helical structure
- The system works without any moving parts
- Operating temperatures:
 - Stainless steel (1.4301) up to nominal pressure PN 10, at a media Temperature of 20 °C (68 °F)
- Stainless steel (1.4751) on request

Areas of application:

- Intense mixing of two liquid media (without solids) while flowing.

Scope of supply:

- DOSA *Tec* SRME static line mixer, made of stainless steel

Ordering data:

Type: Made of stainless steel, with male thread (AG)	Material:	Connection:	Nominal diameter: DN	Installation length: mm	Item number:
SRME-SS-AG-DN-15	Stainless steel	AG	15	360	4969155
SRME-SS-AG-DN-20			20	360	4969156
SRME-SS-AG-DN-25			25	390	4969157
SRME-SS-AG-DN-32			32	405	4969158
SRME-SS-AG-DN-40			40	460	4969159
SRME-SS-AG-DN-50			50	475	4969170
Type: Made of stainless steel, with female thread (IG)	Material:	Connection:	Nominal diameter: DN	Installation length: mm	Item number:
SRME-SS-IG-DN-15	Stainless steel	IG	15	360	4969055
SRME-SS-IG-DN-20			20	360	4969056
SRME-SS-IG-DN-25			25	390	4969057
SRME-SS-IG-DN-32			32	405	4969058
SRME-SS-IG-DN-40			40	460	4969059
SRME-SS-IG-DN-50			50	475	4969060
Type: Made of stainless steel, with flange (FL)	Material:	Connection:	Nominal diameter: DN	Installation length: mm	Item number:
SRME-SS-FL-DN-15	Stainless steel	FL	15	360	4969070
SRME-SS-FL-DN-20			20	360	4969071
SRME-SS-FL-DN-25			25	390	4969072
SRME-SS-FL-DN-32			32	405	4969073
SRME-SS-FL-DN-40			40	460	4969074
SRME-SS-FL-DN-50			50	475	4969075
SRME-SS-FL-DN-65			65	610	4969076
SRME-SS-FL-DN-80			80	750	4969077
SRME-SS-FL-DN-100			100	900	4969078

Subject to technical modifications and printing errors. Images may vary slightly from actual product.
14.02.2017

3.9.3.

DOSA*Tec* Static line mixer FSHM

Line mixer for media containing solids.



Product description:

- Mixing insert consisting of baffle plates
- Material: PE, stainless steel
- The system works without any moving parts
- Operating temperatures: max. 60 °C
- max. operating pressure: up to nominal pressure PN 10

Areas of application:

- Intense mixing of two liquid media containing solids, while flowing.

Scope of supply:

- DOSA*Tec* FSHM static line mixer

Ordering data:

Type:	Material:	Connection:	Nominal diameter:	Installation length:	Item number:
Made of PP, with loose flange (FL)	PP	FL	DN	mm	
FSHM-PP-FL-DN-50			50	475	4969130
FSHM-PP-FL-DN-65			65	610	4969131
FSHM-PP-FL-DN-80			80	750	4969132
FSHM-PP-FL-DN-100			100	900	4969133
Type:	Material:	Connection:	Nominal diameter:	Installation length:	Item number:
Made of PE, with loose flange (FL)	PE	FL	DN	mm	
FSHM-PE-FL-DN-50			50	475	4969140
FSHM-PE-FL-DN-65			65	610	4969141
FSHM-PE-FL-DN-80			80	750	4969142
FSHM-PE-FL-DN-100			100	900	4969143
Type:	Material:	Connection:	Nominal diameter:	Installation length:	Item number:
Made of stainless steel, with fixed flange	Stainless steel VA	FL	DN	mm	
FSHM-VA-FL-DN-50			50	475	4969160
FSHM-VA-FL-DN-65			65	610	4969161
FSHM-VA-FL-DN-80			80	750	4969162
FSHM-VA-FL-DN-100			100	900	4969163



4. Measuring, control and dosing systems

Table of contents

4.	Measuring, control and dosing systems	385
4.1.	DOSASys	387
4.1.1.	DOSA <i>Pool</i> Measurement, control and dosing systems	389
4.1.2.	DOSA <i>Pool</i> pH-Rx Measurement, control and dosing systems	390
4.1.3.	DOSASys Zero-Clxxx	391



4

Legal notice

DOSATRONIC GmbH

Zuppingerstraße 8

D-88213 Ravensburg

☎: +49 7 51 / 2 95 12- 0

☎: +49 7 51 / 2 95 12- 190

✉: info@dosatronic.de

www.dosatronic.de

Registered office: Ravensburg HRB 552723

USt-IdNr.: DE812973283

Valid from: **May 2022**

Rights

DOSATRONIC GmbH All rights reserved.

All trademarks referred to or depicted in this document are the property of their respective owners.

Concept, design, implementation, print processing:

DOSATRONIC GmbH, technical editing

Photos: Adobe Stock; DOSATRONIC GmbH, technical editing.

Translation from German: DOSATRONIC GmbH Assistant to the management,

SK Technical Translations - Sonja Schuberth-Kreutzer

No information contained in these product catalog may be reproduced or transmitted without the prior written permission of **DOSATRONIC GmbH**.

Note

We are committed to continuously improving our products. The information provided in these Operating Instructions may occasionally be at variance with the product itself if technological are made or in order to comply with safety related requirements.



4. Measuring, control and dosing systems

4.1. DOSASys

4.1.1.

DOSA*Pool* Measurement, control and dosing systems

Measurement, control and dosing systems for measuring the swimming pool water as well as the resulting dosage of acid/alkali and liquid disinfectant.



Product description:

- We design the right dosing system for your swimming pool precisely in accordance with your requirements.
- We devise solutions using our own standard components that leave nothing to be desired when it comes to quality and safety.
- The compact units are delivered ready for connection and mounted (on a mounting plate).
- Accurate diaphragm dosing pumps allow for precise dosing of the swimming pool chemicals
- Other features (depending on the design):
 - Standby input (or flow rate monitoring)
 - pH priority function
 - Temperature compensation
 - etc.

Areas of application:

- Swimming pools, private pools etc.

Scope of supply:

- **DOSA*Pool*** pre-assembled dosing unit consisting of (depending on the model):
 - Controller, diaphragm dosing pump(s), mounting fitting(s) for sensors (pH, chlorine, redox etc.) and amperometric sensors, buffer solutions, prefilters, 2 m intake hose, 2 m discharge hose, 2 m connecting hoses, injection valve, foot valve with low-level indicator, tapping sleeves, mounting plate

Ordering data:

Type:	Controller: channels	Pump(s): number	Hose connection: y/n	Injection and foot valve: y/n	Item number:
DOSA<i>Pool</i> 260	pH, chlorine	2	y	y	on request
DOSA<i>Pool</i> 260	pH, redox				
DOSA<i>Pool</i> 360	pH, redox, chlorine				

4.1.2.

DOSA*Pool* pH-Rx Measurement, control and dosing systems

Measurement, control and dosing systems for measuring the swimming pool water quality. Dosing of acids and bases as well as liquid disinfectant.



Product description:

- Simple all-in-one system for swimming pool water disinfection:
 - Measurement: pH and redox value
 - Control: Determination of the necessary corrective action
 - Dosing: The substances determined are added to the swimming pool water using the robust peristaltic pumps
 - Disinfection takes place automatically
- Proportional dosing
- Warning if the pH of the water is too high or too low
- Warning if the redox value is too low
- Filling level indication using a low-level indicator for the storage tank
- Display of the parameters on the display
- Configuration with control buttons on the pumps

Areas of application:

- Private indoor and outdoor swimming pools.

Scope of supply:

- **DOSA*Pool* pH-Rx** all of the components are pre-installed on a panel for wall mounting:
 - Two peristaltic pumps with an integrated controller
 - Pre-filter incl. filter cartridge
 - Fitting to hold the necessary sensors
 - pH electrode, redox electrode, buffer solutions
 - Connection accessories: suction and injection valves, hoses, other small parts
 - Cabling

Ordering data:

Type:	Controller: channels	Pump(s): number	Hose connection: mm	Flow max.: l/h	Pressure max.: bar	Item number:
DOSA<i>Pool</i> pH-RX	pH, redox	2	4 x 6	3	1.5	5788015

4.1.3.

DOSASys Zero-Clxxx

System for continuous monitoring for the absence of chlorine and for continuous detection of the lowest chlorine concentrations.

Product description:

- Continuous measurement of lowest chlorine concentrations to verify the absence of chlorine
- Repeatability 3 ppb, measuring conditions: 20 ppb, pH 7.2, temperature 25 °C
- Measuring panel for amperometric sensor with automatic disinfection function (cleaning) for the integrated 0-chlorine measuring cell
- The regulated disinfection function at the measuring cell ensures reliable zero-chlorine measurement, the measuring cell is protected against unwanted deposits (clogging) by disinfection directly at the membrane
- Operating principle of the controller:
 - Control (PID control), Displays, 5.5" TFT colour touch screen
- Flow cell:
 - Body material: Polished PMMA
 - Flow rate indicator on top, from flow rates of approx. 15 l/h. Material: natural PEEK
 - Sampling, knurled PVC needle valve (on the right below the drain)
 - Hose connections, straight ¼" screw connection for 6/8" hose with PA O-ring, (inlet, outlet)
- Flow rate monitoring with inductive proximity switch
- Solenoid valve with 2/2-way screw-in solenoid valve G ¼", 0 – 15 bar, NO
- max. permissible operating pressure at the measuring cell: 1 bar, no pressure surges and/or fluctuations
- Operating temperature
 - Sample water temperature: 0 to +45 °C, no ice crystals in the sample water
 - Ambient temperature: 0 to +55 °C
- Dimensions: 600 mm x 650 mm x 8 mm (130 mm incl. mounting board), W x H x D
- Power supply (power supply unit) 100 – 240 V AC, 50/60 Hz
- EMC testing in accordance with DIN EN 61326-1, 61326-2-3
- 63000 RoHS compliant
- Transportation: +5 °C to +50 °C, handle with care and protect against shocks during transportation
- Storage: store in a clean and dry environment at between +5 °C and +40 °C. Please also observe the additional environmental requirements of the integral parts (sensor, electrolytic cell, controller)
- Hose connection: 6 x 8 mm

Areas of application:

- Drinking water, waste water, reverse osmosis etc.

Lieferumfang:

- **DOSASys Zero-Cl**, for zero chlorine measurement (complete system): Measuring panel with mounting board, controller, flow assembly, 2/2-way screw-in solenoid valve (G ¼", 0 – 15 bar, NO), zero-chlorine measuring cell, electrolytic cell, inductive proximity switch, system-relevant wiring and hoses, (in addition, the 0-chlorine measuring cell **DOSASens Cp4.0H-M4c**, see second line under ordering, is required).

Ordering data:

Type:					Item No:
DOSASys Zero-Cl	Design see above				5788280
Type:	Measuring range:	Resolution:	Output signal:	Power supply:	
DOSASens Cp4.0H-M4c	0,005 ... 2,000	0,001	Modbus RTU	9 ... 30 V DC	3226306

Subject to technical modifications and printing errors. Images may vary slightly from actual product.
01.08.2022



5. Disinfection systems

Table of contents

5. Disinfection systems 393

5.1. Chlorine dioxide systems 395

5.1.1. **DOSADes** Chlorine dioxide unit **DOSA/XD 5T – 30T** 397

5.1.2. **DOSADes** Chlorine dioxide unit **DOSA/XD DXT DP** 399

5.2. UV-Units. 401

5.2.1. **DOSALux** UV Disinfection Systems **ALB** 403

5.2.2. **DOSALux** UV Disinfection Systems **LCD** and **LCDP** 405

5.2.3. **DOSALux** UV Disinfection Systems **RLCD** and **RLCDP** 407

5.2.4. **DOSALux** UV Disinfection Systems **LCD Pool** 409

5.2.5. **DOSALux** UV Disinfection Systems **AM 16 Rack LCD** and **LCDP** 411

5.2.6. **DOSALux** UV Disinfection Systems **AM TC Plus** 413

5.2.7. **DOSALux** UV Disinfection Systems **TC 400** and **TC RA 400** 415

5.2.8. **DOSALux** UV Disinfection Systems **MPTC** 417

5.2.9. **DOSALux** UV Disinfection Systems **V-8, V-14, V-83, V-140** 419

5.3. Electrolysis units. 423

5.3.1. **DOSADes** Membrane electrolysis 425

5.3.2. **DOSAactive** Tube cell **Electrolysis Unit 30 – 200** 429



5

Legal notice

DOSATRONIC GmbH

Zuppingerstraße 8

D-88213 Ravensburg

☎: +49 7 51 / 2 95 12 - 0

☎: +49 7 51 / 2 95 12 - 190

✉: info@dosatronicon.de

www.dosatronic.de

Registered office: Ravensburg HRB 552723

USt-IdNr.: DE812973283

Valid from: **May 2022**

Rights

DOSATRONIC GmbH All rights reserved.

All trademarks referred to or depicted in this document are the property of their respective owners.

Concept, design, implementation, print processing:

DOSATRONIC GmbH, technical editing

Photos: Adobe Stock; DOSATRONIC GmbH, technical editing.

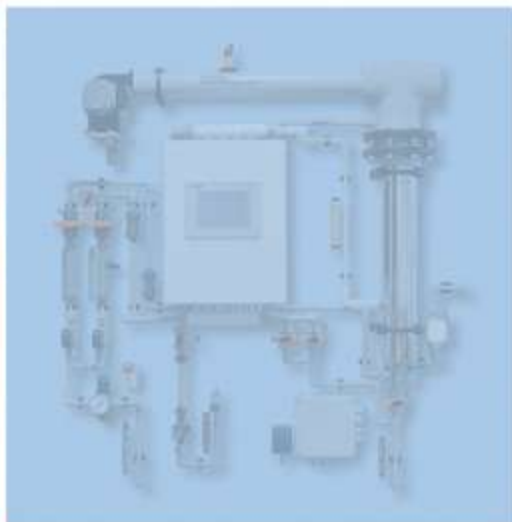
Translation from German: DOSATRONIC GmbH Assistant to the management,

SK Technical Translations - Sonja Schuberth-Kreutzer

No information contained in these product catalog may be reproduced or transmitted without the prior written permission of **DOSATRONIC GmbH**.

Note

We are committed to continuously improving our products. The information provided in these Operating Instructions may occasionally be at variance with the product itself if technological are made or in order to comply with safety related requirements.



5. Disinfection systems

5.1. Chlorine dioxide systems

5.1.1.

DOSADes Chlorine dioxide unit DOSA*iXD* 5T – 30T

Compact chlorine dioxide unit operating according to the unpressurised chlorite/ acid pro-cess. ClO₂ output: 0 – 5, max. 30 g/h (depending on the system capacity). Can easily be expanded for a multiple disinfection system.



Product description:

- Unit for the production of small and medium amounts of ClO₂
- Menu-guided operation and service functions (touch screen)
- Works in accordance with DVGW worksheet W 224 (acid/chlorite process with dilute chemicals (hydrochloric acid (HCl 9%) and sodium chlorite (NaClO₂ 7.5%))
- Inputs:
 - direct actuation via contact water meter
 - 2 amperometric sensors with 4–20 mA signal (for the measurement of the chlorine dioxide, chlorite concentration), optional
- Outputs:
 - operating message
 - warning
 - alarm output as potential-free contact
- Capacity: 0–5, max. 30 g/h ClO₂
- Temperature range: +5 °C to +40 °C
- Injection valve made of PVDF
- Injection valve connection: ½", male thread
- Hose made of PVDF
- Hose length: 5 m
- Protection category: IP 54

5

Areas of application:

- Particularly suitable for drinking water disinfection in public buildings, such as hospitals, nursing homes, hotels and sports facilities etc.
- As a CIP* unit for legionella prophylaxis (* bottle washer).
- For disinfection of cooling systems, ventilation and air conditioning systems, as well as for product water disinfection, or beverage and food industry ...

Scope of supply:

- DOSA*iXD* 5T – 30T Chlorine dioxide unit (preassembled)
- with internal magnetic diaphragm pump for dosing
- Injection valve made of PVDF, ½" thread, 5 m hose made of PVDF
- Fittings for wall mounting
- Instruction manual, Set of warning and information signs
- Two suction lances
- Statutory Accident Insurance GUV
- Training on commissioning and maintenance of the system at the manufacturer's plant in Ravensburg (excluding travel, accommodation and food), with a DOSATRONIC® certificate for completion of the training course

Ordering data:

Type:	Item number:
DOSA <i>iXD</i> 5T	5688405
DOSA <i>iXD</i> 10T	5688410
DOSA <i>iXD</i> 20T	5688420
DOSA <i>iXD</i> 30T	5688430

Subject to technical modifications and printing errors. Images may vary slightly from actual product.
23.10.2019

Additional technical data:

Type:	DOSA <i>iXD</i> 5T	DOSA <i>iXD</i> 10T	DOSA <i>iXD</i> 20T	DOSA <i>iXD</i> 30T
ClO ₂ – capacity (g/h)	0–5	0–10	0–20	0–30
Chem. consumption under full load (ml/h)	2 x 130	2 x 260	2 x 520	2 x 780
Max. operating pressure (bar)	6			
Concentration of ClO ₂ product (g/l)	1–3			
Electrical connection	230 V, 50–60 Hz, external RCD, via main switch protected against polarity reversal			
Protection	IP 54			
Dimensions (W x H x D in mm)	880 x 520 x 350			
Weight (kg)	approx. 41	approx. 42	approx. 44	
Water connection	Hose connection 6 x 8 mm, water at system quality, connection in compliance with DVGW, if necessary with back-flow preventer and prefilter			
Dosing line connection	PVDF - connection for 6 x 8 mm hose			
Relay outputs for (250 V, 8 A)	operating signal, warning signal, alarm signal			
Inputs for proportional mode	Contact water meter with reed contact, inductive flow meter with current output 4 – 20 mA			

Accessories:

Type:	Item number:
DOSAControl Photometer (chlorine dioxide)	89231060
DOSASens AS2MA1 -CD-M12 (0–1) ppm	3326840
DOSASens AS2MA2 -CD-M12 (0–2) ppm	3326841
DOSASens AS2MA5 -CD-M12 (0–5) ppm	3326842
DOSASens MST1MA2 -M12 (0–2) ppm	3326441
DOSASens Flow cell DF01 , for 1 amperometric sensor	3488210
DOSATec Safety bunds 40 l, others on request (chemistry)	4191101
DOSATec Impeller flow meter KWKT/KWHT	43113132

5.1.2.

DOSADes Chlorine dioxide unit DOSA*iXD* DXT DP

Compact, wall-mounted Chlorine Dioxide Unit with flow meter in the bypass line for safe dosing. ClO₂ capacity: 35 – 1500 g/h (depending on design).



Product description:

- Unit for the production of medium amounts of ClO₂
- Menu-guided operation and service functions
- Unambiguous warnings through additional LEDs
- Direct control by contact water meter, inductive flow meter or online chlorine dioxide measurement
- Unit is ready for installation and tested in accordance with 2006/42/EC, EN 12100, EN 60204-1, 2006/95/EC, 2004/108/EC, DVS 2212
- Acid/chlorite method with diluted chemicals (hydrochloric acid (HCl 9%) and sodium chlorite (NaClO₂ 7.5%))
- The chlorine dioxide that has been produced is either dosed – controlled by volume or by measured value – directly to the water system, or conveyed to a buffer tank
- Capacity: 5 – 1,500 g/h ClO₂
- Temperature range: +5 °C to +40 °C
- Injection valve made of PVDF
- Injection valve connection: ½"
- Hose made of PVDF
- Hose connection: 6 x 8 mm
- Hose length: 5 m
- Power supply: 230 VAC/50 Hz, (optional 110 VAC or 12 VDC)
- Reliable restart upon power failure
- Protection category: IP 54

Areas of application:

- Especially suitable for public drinking water applications, e. g. in hospitals, retirement homes, hotels or sports facilities.
- As a CIP unit for legionella prophylaxis.
- For disinfection of cooling systems, ventilation and air conditioning systems, as well as for product water disinfection, or beverage and food industry applications such as bottle washers.

Scope of supply:

- **DOSA*iXD* DXT DP** Chlorine dioxide unit (Preassembled)
- Mention of important parts
 - Mixing and reaction tank
 - Reactor with inspection window and gas evacuation via an active carbon filter
 - Solenoid-driven diaphragm metering pump
 - Pressure sustaining valve
 - Injection valve ½", PVDF
 - Hose 5 m, PVDF (connection 6 x 8 mm)
 - Monitoring device for the dosing pumps
 - Wall bracket, PP

Ordering data:

Type:	Capacity: g/h (ClO ₂)	Max. pressure: bar	Chem. consumption: l/h	Power consumption: W/h	Item number:
DXT DP 30	5–35	10	0.9	70	5237400
DXT DP 60	7–60	10	1.5	70	5237401
DXT DP 120	15–120	8	3.6	90	5237402
DXT DP 350	20–350	8	8.8	110	5237403
DXT DP 600	36–640	7	16.0	130	5237404
DXT DP 1000	72–1014	4	25.2	150	5237405
DXT DP 1500	110–1500	4	39.0	180	5237406

Options:

Type:	Item number:
Calibration cylinder CA 1 for DXT DP 30, 60, 120	8937000
Calibration cylinder CA 2 for DXT DP 350, 600, 1000, 1500	8937010
Remote monitoring and control via GSM	on request
Semi-automatic calibration with graduated cylinder	
Alarm output and remote control via GSM	
Power supply 110 VAC, 50/60 Hz	
Power supply 12 V DC, 50 Hz (safety extra-low voltage, enclosure class III)	

Additional technical data:

Type:	Dimension/water connection:	Controller modes:	Dimensions: w x h x d (mm)	Installation site:	Weight: kg	
DXT DP 30	PVC DN20 / DA25	- manual - volume controlled - controlled by measured value	750 x 1000 x 300	ventilated room	54	
DXT DP 60			PVC DN25 / DA32		900 x 1350 x 300	56
DXT DP 120					- controlled by volume and by measured ClO ₂ value	1000 x 1700 x 450
DXT DP 350						
DXT DP 600						
DXT DP 1000						
DXT DP 1500						



5. Disinfection systems

5.2. UV-Units

5.2.1.

DOSALux UV Disinfection Systems ALB

Single-lamp system with electropolished stainless steel for the capacity range between 0.3 – 3.6 m³/h.



Product description:

- Single-lamp system with high-quality, centrally mounted quartz protection tube
- Digital display (only for ALB2: alarm LED, acoustic buzzer, day counter)
- High performance low pressure UV-C lamp in the 254 nm range
- UV-C dose > 300 J/m²
- Lamp service life approx. 9,000 hours
- Top maintenance connection for mounting the quartz protection tubes and for easy access to the reactor chamber
- Lamp guide opening with O-ring seal
- Reactor made of 1.4301 stainless steel (optionally 1.4404)
- Particularly hygienic and corrosion-resistant design
- Intake and drain pipes on the side (except 16-107/1-12 ALB)
- The system offers the option of stopping the water flow if the UV intensity is too low
- Capacity: 0.30 to 3.6 m³/h
- Operating pressure: max. 9 bar
- Water temperature 5 °C to 50 °C
- Power supply: 230 V, 50/60 Hz
- Protection category: IP 55

Areas of application:

- For use in the private and public drinking water sector even under pressure.

Scope of supply:

- DOSALux ALB UV disinfection system

Ordering data:

Type:	Flow rate*: l/min m ³ /h	Lamp type:	Power input: Watt	Item number:
ALB 16-107/1-12	5 0.30	UVL 12	12	5016000
ALB 16-403/1-16	10 0.60	UVL 16	16	5016010
ALB 16-405/1-30	19 1.14	UVL 30	30	5016020
ALB 16-412/1-40	45 2.70	UVL 40	40	5016030
ALB 16-440/1-30	60 3.60	UVL 40	40	5016040
ALB 2 16-405/1-30	19 1.14	UVL 30	30	5016050
ALB 2 16-412/1-40	45 2.70	UVL 40	40	5016060

Connections and dimensions:

Type: (*without connections)w	Number of lamps:	Protection category:	Reactor connection: inches	Reactor dimensions*: Height Ø (mm)	Weight: kg:
ALB 16-107/1-12	1	IP 54	1/8	267 53	0.4
ALB 16-403/1-16			1/2	394 80	0.7
ALB 16-405/1-30			3/4	524 85	1.5
ALB 16-412/1-40			1	925 88	2.5
ALB 16-440/1-30			1 1/2	880 90	5.5
ALB 2 16-405/1-30			3/4	524 85	1.5
ALB 2 16-412/1-40			1	925 88	2.5

Subject to technical modifications and printing errors. Images may vary slightly from actual product.
16.08.2017

5.2.2.

DOSALux UV Disinfection Systems LCD and LCDP

Single and multi lamp system with electropolished stainless steel for the capacity range between 1.2–12.00 m³/h.



Product description:

- Single- and multi-lamp system with high-quality, centrally mounted quartz protection tube
- High performance low pressure UV-C lamp in the 254 nm range
- UV-C dose > 300–400 J/m²
- Lamp service life approx. 9,000 hours
- Top maintenance connection for mounting the quartz protection tubes and for easy access to the reactor chamber
- Connection for UV-C sensor (LCDP) (except for 16-450/2-40)
- Connection nozzles for flame-resistant stainless steel sampling taps (except for 16-405/1-30, 16-412/1-40 and 16-450/1-40)
- Upper vent and lower drain valve fitted as standard (except for 16-405/1-30, 16-412/1-40 and 16-440/1-40)
- Reactor made of 1.4301 stainless steel (optionally 1.4404)
- Particularly hygienic and corrosion-resistant design
- The system offers the option of stopping the water flow if the UV intensity is too low
- Inlet and outlet at the side
- Capacity: 1.20 to 12.00 m³/h
- Various UV control units are available:
 - "LCD" or "LCDP" model
- Operating hours counter
- Lamp function monitoring
- Fault indicator LED
- Timer ON/OFF
- Remote ONw/OFF contact
- Alarm relay potential-free contact, NO/NC
- Alarm relay output, 230 V, max. 2 A, NO/NC
- Additional functions offered by the P version:
 - 4/20 mA output
 - Radiation output and temperature display (P version)
- Automatic shutdown at excessive UV chamber temperature
- Operating pressure: max. 10 bar
- Water temperature 5 °C ... 50 °C
- Power supply: 230 V, 50/60 Hz, Protection category: IP 55

Areas of application:

- For use in the public and private drinking water sector, small reverse osmosis units, cooling systems, dispensers.

Scope of supply:

- DOSALux LCD/LCDP UV disinfection system, Connection cable approx. 1.0 m, lamp connection cable 1.0 m (furthermore see below „Ordering data“)

Ordering data:

Type: UV Disinfection System LDC	Flow rate*: l/min m ³ /h	UV-C dose: J/m ²	Lamp type:	Power input: Watt	Item number:
LCD 16-405/1-30	19 1.14	> 300	UVL 30	30	5016100
LCD 16-412/1-40	45 2.70	> 300	UVL 40	40	5016110
LCD 16-440/1-40	60 3.60	> 300	UVL 40	40	5016120
LCD 16-450/2-40	75 4.50	> 300	UVL 40	80	5016130
LCD 16-480/1-80	85 5.10	> 300	UVL 80	80	5016140
LCD 16-550/2-40	100 6.00	> 400	UVL 40	80	5016150
LCD 16-80/2-80	200 12.00	> 400	UVL 80	160	5016160

*The max. flow rates refer to a transmission strength T1 cm of 99 % of a measured UV-C dose of 300 or 400 J/m.

Subject to technical modifications and printing errors. Images may vary slightly from actual product.
27.07.2018

5.2.3.

DOSALux UV Disinfection Systems RLCD and RLCDP

Multi-lamp system with electropolished stainless steel for the medium capacity range between 20 – 40 m³/h. The “RM” version has a cleaning device (cleaning without downtime for heavily soiled or contaminated water).



Product description:

- Multi-lamp system with high-quality, centrally mounted quartz protection tubes
- High performance low pressure UV-C lamp in the 254 nm range UV-C dose > 400 J/m²
- Lamp service life approx. 9,000 hours
- Inlet and outlet at the side
- “RM” version for heavily soiled or contaminated water
- Connection nozzles for flame-resistant stainless steel sampling taps
- Reactor made of 1.4301 stainless steel (optionally 1.4404)
- Top maintenance connection for mounting the quartz protection tubes and for easy access to the reactor chamber
- Capacity: 20 to 40 m³/h
- Various UV control units are available:
 - model “RLCD” or model “RLCDP”
- Connection for UV-C sensor (RLCDP)
- Manual cleaning device (heavily soiled or contaminated water), for cleaning of the radiator without downtime or removal/installation (RM version)
- Upper vent and lower drain valve fitted as standard
- LCD display (microprocessor-controlled)
- Operating hours counter
- Resettable hour counter with an alarm when the lamp service life is reached
- Fault indicator LED
- Alarm relay with a floating contact, NO/NC
- Alarm relay, 230 V output, max. 2 A, NO/NC
- Remote ON/OFF contact
- On/Off timer
- Additional functions offered by the P version:
 - 4/20 mA output (optional)
 - Radiation output and temperature display (P version)
 - Automatic shutdown at excessive UV chamber temperature
- Operating pressure: max. 10 bar
- Water temperature 5 °C–50 °C
- Power supply: 230 V, 50/60 Hz; protection category: IP 55

5

Areas of application:

- For use in the public and private drinking water sector, industrial process water, the food & beverage industry.

Scope of supply:

- **DOSALux RLCD/RLCDP** UV disinfection system, connection cable approx. 1.0 m, lamp connection cable 2.5 m (furthermore see below „Ordering data“)

Ordering data:

Type: UV Disinfection System RLCD	Flow rate*: m ³ /h	UV-C dose: J/m ²	Lamp type:	Number of lamps:	Power input: Watt	Item number:
RLCD 16-80/3-80	20	> 400	UVL 80	3	266	5016260
RLCD 16-80/4-80	30			4	355	5016240
RLCD 16-80/5-80	40			5	445	5016250

*The max. flow rates refer to a transmission strength T1 cm of 99 % of a measured UV-C dose of 400 J/m² after approx. 9,000 h.

Ordering data:

Type:	Flow rate*:	UV-C dose:	Lamp type:	Number of lamps:	Power input:	Item number:
UV Disinfection System RLCDP	m ³ /h	J/m ²			Watt	
(incl. reactor temperature monitoring/alarm, automatic shutdown at excessive UV chamber temperature, 4 ... 20 mA output for radiation output and temperature display)						
RLCDP 16-80/3-80	20	> 400	UVL 80	3	335	5016265
RLCDP 16-80/4-80	30			4	335	5016245
RLCDP 16-80/5-80	40			5	445	5016255
Type: UV Disinfection System RLCD-RM (incl. cleaning device)	Flow rate*:	UV-C dose:	Lamp type:	Number of lamps:	Power input:	Item number:
	m ³ /h	J/m ²			Watt	
(incl. reactor temp. monitoring/alarm, autom. shutdown at excessive UV chamber temp., 4 ... 20 mA output for radiation output and temperature display, cleaning device)						
RLCD-RM 16-80/3-80	20	> 400	UVL 80	3	335	5216230
RLCD-RM 16-80/4-80	30			4	335	5216240
Type: UV Disinfection System RLCDP-RM	Flow rate*:	UV-C dose:	Lamp type:	Number of lamps:	Power input:	Item number:
	m ³ /h	J/m ²			Watt	
(incl. reactor temp. monitoring/alarm, autom. shutdown at excessive UV chamber temp., 4 ... 20 mA output for radiation output and temperature display, cleaning device)						
RLCDP-RM 16-80/3-80	20	> 400	UVL 80	3	335	5216235
RLCDP-RM 16-80/4-80	30			4	335	5216245

*The max. flow rates refer to a transmission strength T1 cm of 99 % of a measured UV-C dose of 300 or 400 J/m.

Options:

Type:	Item number:
UV sensor	9016002
4 – 20 mA output for radiation intensity	9116180
Connection cable for UV-C sensor (4 m)	9016005

Connections and dimensions:

Type:	Reactor connection:	Vent connection:	Sampling port:	Dimensions of reactor:	Dimensions of controller:
	inches, DN, PN	inches	inches	H, Ø (in mm)	H x W x D (mm)
RLCD, RLCDP 16-80/3-80	2	½	⅛	855, 230	400 x 300 x 200
RLCD, RLCDP 16-80/4-80	DN 80, PN 10			1000, 340	
RLCD, RLCDP 16-80/5-80	DN 80, PN 10				

5.2.4.

DOSALux UV Disinfection Systems LCD Pool

Single and multi lamp system with electropolished stainless steel for the medium capacity range of 4 – 34 m³/h.



Product description:

- Single and multi lamp system with high-quality, centrally mounted quartz protection tubes
- High performance low pressure UV-C lamp in the 254 nm range
- UV-C dose > 250 J/m²
- Lamp service life approx. 9,000 hours
- Inlet and outlet at the side
- Connection nozzles for flame-resistant stainless steel sampling taps
- Reactor made of 1.4301 stainless steel (optionally 1.4404)
- Capacity: 4 to 34 m³/h
- “Pool LCD” UV control units
- Top maintenance connection for mounting the quartz protection tubes and for easy access to the reactor chamber
- Upper vent and lower drain valve
- LCD display
- Hour counter
- Timer can be switched on/off
- Operating hours counter
- Red LED for alarms
- Free contact, NO/NC
- Free contact, 230 V output, max. 2 A, NO/NC
- Remote ON/OFF contact
- Alarm with acoustic alarm (optional)
- Operating pressure: max. 9 bar
- Water temperature 5 °C to 50 °C
- Power supply: 230 V, 50/60 Hz
- Protection category: IP 55

Areas of application:

- Private swimming pool.

Scope of supply:

- **DOSALux LCD Pool** UV disinfection system, Connection cable approx. 1.0 m, lamp connection cable 1.0 m

Ordering data:

Type:	Flow rate*: m ³ /h	UV-C dose: J/m ²	Lamp type:	Number of lamps:	Power input: Watt	Item number:
LCD-POOL 16-4/1-40, 4.00	4	250	UJL 40	1	40	5016500
LCD-POOL 16-7/1-40, 7.00	7					5016505
LCD-POOL 16-14/1-80, 14.00	14		UJL 80		5016510	
LCD-POOL 16-18/1-80, 18.00	18				5016515	
LCD-POOL 16-34/2-80, 34.00	34				2	160

Connections and dimensions:

Type:	Reactor connection: inches	Vent connection: inches	Sampling port: inches	Reactor dimensions: Height Ø (mm)	Controller dimensions: H x W x D (mm)
LCD-POOL 16-4/1-40, 4.00	1 ½	½	¼	880 215	215 215 90
LCD-POOL 16-7/1-40, 7.00					
LCD-POOL 16-14/1-80, 14.00					
LCD-POOL 16-18/1-80, 18.00					
LCD-POOL 16-34/2-80, 34.00					

Subject to technical modifications and printing errors. Images may vary slightly from actual product.
16.08.2017

5.2.5.

DOSALux UV Disinfection Systems AM 16 Rack LCD and LCDP

Single and multi lamp system with electropolished stainless steel for the medium capacity range between 24 – 60 m³/h.



Product description:

- Single and multi lamp system with high-quality, centrally mounted quartz protection tubes
- High performance low pressure UV-C amalgam lamp in the 254 nm range
- UV-C dose > 400 J/m²
- Lamp service life approx. 12,000 hours
- Reactor made of AISI 304, AISI 316 stainless steel
- UV chamber with automatic cleaning (“RA” version)
- LCD display
- Display of the UV irradiation and temperature monitoring with the “P(lus)” version
- Operating hours counter
- Lamp function monitoring
- Fault indicator LED
- Alarm relay free contact, NO/NC
- Alarm relay, 230 V output, max. 2 A, NO/NC
- 4 – 20 mA output with the “P(lus)” version
- Remote ON/OFF contact
- Acoustic alarm (optional)
- Additional functions offered by the P version:
 - 4 – 20 mA output
 - Radiation output and temperature display (P version)
 - Automatic shutdown at excessive UV chamber temperature
 - Adjustment of the UV intensity
- Timer ON/OFF
- Operating pressure: max. 10 bar
- Water temperature 5 °C to 50 °C
- Power supply: 230 V, 50/60 Hz
- Protection category: IP 54

Areas of application:

- For use in the public and private drinking water sector, industrial process water, the food & beverage industry.

Scope of supply:

- **DOSALux AM 16 Rack LCD** UV disinfection system, (see below „Ordering data“)

Ordering data:

Type: UV Disinfection System AM 16 Rack LDC	Flow rate*: m ³ /h	UV-C dose: J/m ²	Lamp type:	Number of lamps:	Power input: Watt	Item number:
AM 16-24/1-200 RACK LCD, 24.00 m ³ /h, AISI 304	24	> 400	UVL 200	1	200	5016900
AM 16-24/1-200 RACK LCD, 24.00 m ³ /h, AISI 316	24					5016901
AM 16-50/2-200 RACK LCD, 50.00 m ³ /h, AISI 304	50			2	400	5016910
AM 16-50/2-200 RACK LCD, 50.00 m ³ /h, AISI 316	50					5016911
AM 16-60/2-200 RACK LCD, 60.00 m ³ /h, AISI 304	60					5016920
AM 16-60/2-200 RACK LCD, 60.00 m ³ /h, AISI 316	60					5016921

*The max. flow rates refer to a transmission strength T1 cm of 99 % of a measured UV-C dose of 400 J/m.

Ordering data:

Type: UV Disinfection System AM 16 Rack LDCP	Flow rate*: m ³ /h	UV-C dose: J/m ²	Lamp type:	Number of lamps:	Power input: Watt	Item number:
AM 16-24/1-200 RACK LCDP, 24.00 m ³ /h, AISI 304	24	> 400	UVL 200	1	200	5016905
AM 16-24/1-200 RACK LCDP, 24.00 m ³ /h, AISI 316						5016906
AM 16-24/1-200 RACK LCDP, RA, 24.00 m ³ /h, AISI 316						5016907
AM 16-50/2-200 RACK LCDP, 50.00 m ³ /h, AISI 304	50			2	400	5016915
AM 16-50/2-200 RACK LCDP, 50.00 m ³ /h, AISI 316						5016916
AM 16-60/2-200 RACK LCDP, 60.00 m ³ /h, AISI 304	60					5016925
AM 16-60/2-200 RACK LCDP, 60.00 m ³ /h, AISI 316		5016926				
AM 16-60/2-200 RACK LCDP, RA, 60.00 m ³ /h, AISI 316		5016927				

*The max. flow rates refer to a transmission strength T1 cm of 99% of a measured UV-C dose of 400 J/m.

Connections and dimensions:

Type: UV Disinfection System AM 16 Rack LDC	Reactor connection: inches, DN, PN	Vent connection: inches	Sampling port: inches	Dimensions of reactor: H (in mm)	Dimensions of controller: H x W x D (mm)
AM 16-24/1-200 RACK LCD, 24.00 m ³ /h, AISI 304	2"	½	⅛	1285	400 x 300 x 200
AM 16-24/1-200 RACK LCD, 24.00 m ³ /h, AISI 316				1350	
AM 16-50/2-200 RACK LCD, 50.00 m ³ /h, AISI 304	DN 80 PN10				
AM 16-50/2-200 RACK LCD, 50.00 m ³ /h, AISI 316					
AM 16-60/2-200 RACK LCD, 60.00 m ³ /h, AISI 304					
AM 16-60/2-200 RACK LCD, 60.00 m ³ /h, AISI 316					
Type: UV Disinfection System AM 16 Rack LDCP	Reactor connection: inches, DN, PN	Vent connection: inches	Sampling port: inches	Dimensions of reactor: H (in mm)	Dimensions of controller: H x W x D (mm)
AM 16-24/1-200 RACK LCDP, 24.00 m ³ /h, AISI 304	2" PN10	½	⅛	1285	400 x 300 x 200
AM 16-24/1-200 RACK LCDP, 24.00 m ³ /h, AISI 316				1350	
AM 16-24/1-200 RACK LCDP, RA, 24.00 m ³ /h, AISI 316					
AM 16-50/2-200 RACK LCDP, 50.00 m ³ /h, AISI 304	DN 80 PN10				
AM 16-50/2-200 RACK LCDP, 50.00 m ³ /h, AISI 316					
AM 16-60/2-200 RACK LCDP, 60.00 m ³ /h, AISI 304					
AM 16-60/2-200 RACK LCDP, 60.00 m ³ /h, AISI 316					
AM 16-60/2-200 RACK LCDP, RA, 60.00 m ³ /h, AISI 316					

5.2.6.

DOSALux UV Disinfection Systems AM TC Plus

Single and multi lamp system with electropolished stainless steel for the medium capacity range between 96 – 160 m³/h.



Product description:

- Single and multi lamp system with high-quality, centrally mounted quartz protection tubes
- High performance low pressure UV-C amalgam lamp in the 254 nm range
- UV-C dose > 400 J/m²
- Lamp service life approx. 12,000 hours
- Reactor made of AISI 316 stainless steel
- Capacity: max. 96 to 160 m³/h
- UV chamber with automatic cleaning (“RA” version)
- Touch screen with multilingual display
- Display of the UV irradiation and temperature monitoring
- Irradiation regulation (optional for AM TC Plus 96)
- Operating hours counter
- Determination of the UV dose (optional)
- Alarm relay with a floating contact, NO/NC
- Digital outputs
- Alarm relay, 230 V output, max. 2 A, NO/NC
- 4–20 mA output
- UV intensity and temperature display
- Remote ON/OFF
- Interfaces: CAN, Ethernet, USB, serial (ModBus, TCP/IP, CANopen)
- Remote access via app or WebGate
- Timer ON/OFF
- Data log – events
- Operating pressure: max. 10 bar
- Water temperature 5 °C to 50 °C
- Power supply: 230 V, 50/60 Hz, Protection category: IP 54

5

Areas of application:

- For use in the public and private drinking water sector, industrial process water, the food & beverage industry.

Scope of supply:

- **DOSALux AM TC Plus** (see below, „Ordering data“)

Ordering data:

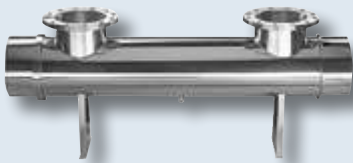
Type:	Flow rate*: m ³ /h	UV-C dose: J/m ²	Lamp type:	Number of lamps:	Power input: Watt	Item number:
AM 16-96/3-200 TC PLUS, 96.00 m ³ /h, AISI 316	96	400	UVL 200	3	660	5016930
AM 16-96/3-200 TC PLUS RA, 96.00 m ³ /h, AISI 316	96					5016936
AM 16-125/4-200 TC PLUS, 125.00 m ³ /h, AISI 316	125			4	880	5016940
AM 16-160/4-200 TC PLUS, 160.00 m ³ /h, AISI 316	160					5016950
AM 16-160/4-200 TC PLUS RA, 160.00 m ³ /h, AISI 316	160					5016955

Connections and dimensions:

Type:	Reactor connection: inches	Vent connection: inches	Sampling port: inches	Reactor dimensions: height (mm)	Controller dimensions: H x W x D (mm)
AM 16-96/3-200 TC PLUS, 96.00 m ³ /h, AISI 316	DN 100	1/8	1/2	1348	400 x 500 x 250
AM 16-96/3-200 TC PLUS RA, 96.00 m ³ /h, AISI 316	PN10				
AM 16-125/4-200 TC PLUS, 125.00 m ³ /h, AISI 316	DN 150			1365	750 x 400 x 250
AM 16-160/4-200 TC PLUS, 160.00 m ³ /h, AISI 316	PN10				
AM 16-160/4-200 TC PLUS RA, 160.00 m ³ /h, AISI 316	PN10				

Subject to technical modifications and printing errors. Images may vary slightly from actual product.
18.04.2017

Single and multi lamp system with electropolished stainless steel for the upper capacity range of 50 – 980 m³/h.



Product description:

- Single- and multi-lamp system with high-quality, centrally mounted quartz protection tube(s)
- Control panel Touch screen with multilingual display
- High performance UV-C amalgam lamp in the 254 nm range
- UV-C dose > 400 J/m²
- Lamp service life approx. 16,000 hours
- Upper inlet and outlet
- Reactor made of AISI 316 stainless steel
- Particularly hygienic and corrosion-resistant design
- Side maintenance connection for mounting the quartz protection tube and for easy access to the reactor chamber
- Automatic cleaning (**RA** version)
- Counter of hours in operation (system and service life of the lamps)
- Timer ON/OFF
- Remote ON/OFF
- 4–20 mA output
- Display of the UV irradiation and temperature monitoring
- Lamp power control
- Alarm relay with a floating contact, NO/NC
- Output: 24 V
- Low UV intensity
- Lamps OFF
- Check: lamps ON/OFF
- Digital outputs
- Communication protocol: CAN, Ethernet, USB, serial (ModBus, TCP/IP, CANopen)
- Remote access (via app or WebGate)
- Data log – events
- Flow meter, connection (device not included, available on request)
- UVT reader connection (available on request, sensor not included)
- UV-C dose calculation (J/m²) only with external contact
- Flow meter (available on request)
- Operating pressure: max. 10 bar
- Water temperature 5 °C ... 50 °C
- Power supply: 230 V, 50/60 Hz (380/400 V, 50/60 Hz available on request)
- Protection category: IP 54

Areas of application:

- Applications: municipal water supply, industrial water, food & beverage industry, wastewater.

Scope of supply:

- **DOSALux TC 400 / TC RA 400** UV disinfection system, (see below „Ordering data“)

Ordering data:

Type:	Flow rate*:	UV-C dose:	Lamp type:	Number of lamps:	Power input:	Item number:		
UV Disinfection System TC 400	m ³ /h	J/m ²			Watt			
TC 400 16-400/ 1-400	50	400	UVL 400	1	400	5016840		
TC 400 16-400/ 2-400	100			2	800	5016845		
TC 400 16-400/ 3-400	150			3	1200	5016800		
TC 400 16-400/ 4-400	250			4	1600	5016805		
TC 400 16-400/ 5-400	300			5	2000	5016810		
TC 400 16-400/ 6-400	420			6	2400	5016815		
TC 400 16-400/ 8-400	600			8	3200	5016820		
TC 400 16-400/10-400	830			10	4000	5016825		
TC 400 16-400/12-400	980			12	4800	5016830		
Type:	Flow rate*:			UV-C dose:	Lamp type:	Number of lamps:	Power input:	Item number:
UV Disinfection System TC RA 400	m ³ /h			J/m ²			Watt	
TC 400 RA 16-400/ 1-400	50			400	UVL 400	1	400	5016885
TC 400 RA 16-400/ 2-400	100	2	800			5016890		
TC 400 RA 16-400/ 3-400	150	3	1200			5016850		
TC 400 RA 16-400/ 4-400	250	4	1600			5016855		
TC 400 RA 16-400/ 5-400	300	5	2000			5016860		
TC 400 RA 16-400/ 6-400	420	6	2400			5016865		
TC 400 RA 16-400/ 8-400	600	8	3200			5016870		
TC 400 RA 16-400/10-400	830	10	4000			5016875		
TC 400 RA 16-400/12-400	980	12	4800			5016880		

*The max. flow rates refer to a transmission strength T1 cm of 99 % of a measured UV-C dose of 400 J/m.

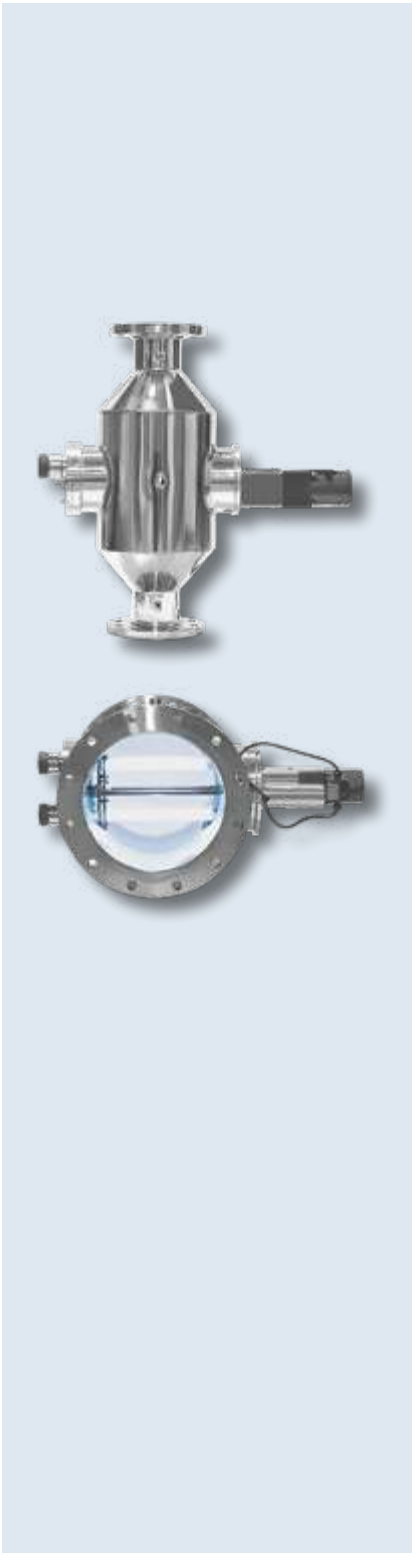
Accessories:

Type:	Item number:
UV lamp, UVLM 400 W, package content: 1 piece	9016113
QSR 400 quartz tube, package content: 1 piece	9016130
Optional support feet for TC and TC RA 16-400/1 and 16-400/2	9116160

Connections and dimensions:

Type:	Reactor connection:	Vent connection:	Dimensions of reactor:	Dimensions of controller:	
UV Disinfection System TC 400/TC RA 400	DN, PN	inches	Ø, H (in mm)	H x W x D (mm)	
TC/RA 400 16-400/ 1-400	DN 80, PN10	½	292, 1980/2380	500 x 400 x 250	
TC/RA 400 16-400/ 2-400	DN 100, PN10		368, 2000/2400		
TC/RA 400 16-400/ 3-400	DN150, PN10		368, 2000/2400	750 x 400 x 250	
TC/RA 400 16-400/ 4-400	DN200, PN10		420, 2000/2400		
TC/RA 400 16-400/ 5-400	DN250, PN10	1	470, 2000/2400	800 x 600 x 300	
TC/RA 400 16-400/ 6-400			495, 2000/2400		
TC/RA 400 16-400/ 8-400			DN300, PN10	570, 2000/2400	1000 x 800 x 300
TC/RA 400 16-400/10-400			DN350, PN10	570, 2000/2400	1200 x 800 x 300

Single and multi lamp system with electropolished stainless steel for the medium capacity range of 33 – 750 m³/h.



Product description:

- Single and multi lamp system with high-quality, centrally mounted quartz protection tubes
- High performance medium pressure UV-C amalgam lamp in the 254 nm range
- UV-C dose > 600 – 800 J/m²
- Lamp service life approx. 10,000 hours
- Reactor made of stainless steel AISI 316L
- Control panel: Touch screen with multilingual display
- Lamp function monitoring
- Optical fault indicator
- Manual cleaning device, automatic cleaning device (RA version)
- Particularly hygienic and corrosion-resistant design
- Operating hours counter
- Temperature measurement in the UV chamber
- Measurement of the UV intensity
- UV sensor
- Resettable hour counter with an alarm when the lamp service life is reached
- Calculation of the UV dose (optional, only with external flow meter)
- Connection for flow measurement
- Alarm relay with a floating contact, N/O:
 - Main alarm, system monitoring, temperature
- 24 V outputs:
 - Low UV intensity
 - Alarm: lamp OFF
 - Check: lamp ON/OFF
- 4–20 mA outputs:
 - Remote ON/OFF
 - Remote: Timer ON/OFF
- Data log-events
- Irradiation regulation (optional: flow rate or dosing)
- Interfaces: CAN, Ethernet, USB, serial (ModBus, TCP/IP, CANopen)
- Remote access (via dedicated app or WebGate)
- Operating pressure: max. 10 bar
- Water temperature 5 °C–50 °C
- Power supply: 230 V, 50/60 Hz
- Protection category: IP 54

Areas of application:

- Water supply, swimming pool, secondary wastewater treatment.

Scope of supply:

- **DOSALux MTPC** UV disinfection system, (see below „Ordering data“)

Ordering data:

Type:	Flow rate*: m ³ /h	UV-C dose: J/m ²	Lamp type:	Number of lamps:	Power input: Watt	Item number:
MPTC-PR 16-6/1-1000	33	> 600 - 800	UVLM 1000 W	1	660	5016680
MPTC-PR 16-10/1-1000	55				1100	5016600
MPTC-PR 16-20/1-2000	120		UVLM 2000 W		2200	5016610
MPTC-PR 16-25/1-2500	170		UVLM 2500 W		2700	5016620
MPTC-PR 16-35/1-3500	333		UVLM 3500 W		3900	5016630
MPTC-PR 16-50/2-2500	350		UVLM 2500 W	2	5500	5016640
MPTC-PR 16-70/2-3500	500		UVLM 3500 W	3	7700	5016650
MPTC-PR 16-150/3-3500	750			4	11600	5016660
MPTC-PR 16-140/4-3500	120			15500	5016670	
MPTC-RAPR 16-6/1-1000	33			UVLM 1000 W	1	660
MPTC-RAPR 16-10/1-1000	55		1100			5016700
MPTC-RAPR 16-20/1-2000	120		UVLM 2000 W	2200		5016710
MPTC-RAPR 16-25/1-2500	170		UVLM 2500 W	2700		5016720
MPTC-RAPR 16-35/1-3500	333		UVLM 3500 W	1		3900
MPTC-RAPR 16-50/2-2500	350		UVLM 2500 W	2	5500	5016740
MPTC-RAPR 16-70/2-3500	500		UVLM 3500 W	2	7700	5016750
MPTC-RAPR 16-150/3-3500	750			3	11600	5016760
MPTC-RAPR 16-140/4-3500	120			4	15500	5016770

*The max. flow rates refer to a transmission strength T1 cm of 99 % of a measured UV-C dose of 600 - 800 J/m.

Connections and dimensions:

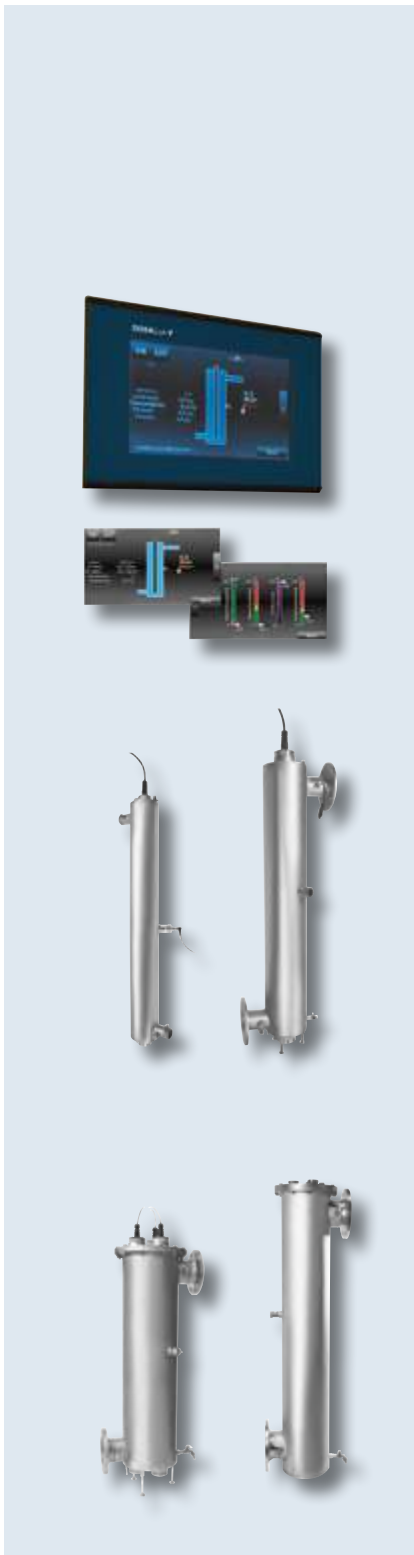
Type:	Reactor connection: DN, PN, inches	Regulation of lamp power:	Distributor material:	Dimensions of reactor: L, Ø, (in mm)	Dimensions of panel: H x W x D (mm)
MPTC-PR 16-6/1-1000	2 1/2" M	50 - 100 %	AISI 316	on request	400 x 500 x 250
MPTC-PR 16-10/1-1000	DN 100				400 x 500 x 251
MPTC-PR 16-20/1-2000	DN 150				400 x 750 x 300
MPTC-PR 16-25/1-2500	DN 200				
MPTC-PR 16-35/1-3500	DN 200				600 x 800 x 300
MPTC-PR 16-50/2-2500	DN 200				
MPTC-PR 16-70/2-3500	DN 300				850 x 1000 x 400
MPTC-PR 16-150/3-3500	DN 300				
MPTC-PR 16-140/4-3500	DN 400				400 x 500 x 250
MPTC-RAPR 16-6/1-1000	2 1/2" M				
MPTC-RAPR 16-10/1-1000	DN 100				400 x 500 x 251
MPTC-RAPR 16-20/1-2000	DN 150				400 x 750 x 300
MPTC-RAPR 16-25/1-2500	DN 200				
MPTC-RAPR 16-35/1-3500	DN 200				600 x 800 x 300
MPTC-RAPR 16-50/2-2500	DN 200				
MPTC-RAPR 16-70/2-3500	DN 300				850 x 1000 x 400
MPTC-RAPR 16-150/3-3500	DN 300				
MPTC-RAPR 16-140/4-3500	DN 400				

Accessories:

Type:	Item number:
UV lamp, UVLM 1000 W, package content: 1 piece	9016109
UV lamp, UVLM 2000 W, package content: 1 piece	9016110
UV lamp, UVLM 2500 W, package content: 1 piece	9016111
UV lamp, UVLM 3500 W, package content: 1 piece	9016112

Subject to technical modifications and printing errors. Images may vary slightly from actual product.
21.02.2020

UV system with touch screen for low to medium capacities with all functions required for commercial and private use. Type-tested in accordance with DVGW and ÖNORM.



Product description:

- DOSALux UV disinfection system V-8, V-14, V-83, V-140
- Operating hours counter for UV lamp
- Wavelength UV radiator \approx 254 nanometers
- Fluence (UV radiation dose) \approx 400 J/m²
- Guaranteed service life of the lamps: 9000 h (with low switching frequency)
- 4 inputs for **DOSA**Sens sensors with 4–20 mA, for additional sensors
- System status message
- Floating contacts:
 - Operating signal from the system
 - P1 pre-warning point message
 - P2 shut-off point message
- Display of the irradiance in W/m²
- Temperature sensor
- Analogue outputs for lamp intensity
 - 0–10 V
 - 4–20 mA
- Lamp status display
- Programmable data memory
- Trend recording
- Texts provide assistance in the event of an alarm
- Battery buffering
- System overview display
- Languages: German, English, Spanish, French

Areas of application:

- Drinking water sector of municipal and private water utilities
- Emergency drinking water supply
- A/C and cooling water treatment
- Swimming pool disinfection
- Food and chemical industry

Scope of supply:

- **DOSALux V-x** UV disinfection system including:
 - UV-C sensor
 - Control unit with display
 - Connections for sampling valves, vent and draining

Ordering data:

Type:	Item number:
V-8	50260100
V-14	50260200
V -83	50260800
V -140	50260500

Options:

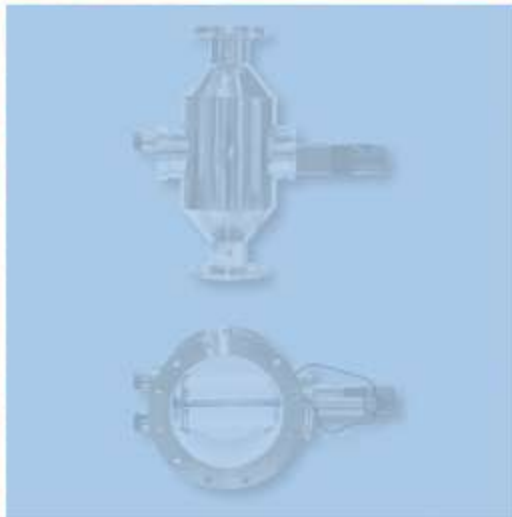
Type:	Option:	Item number:
V-8, V-14, V-83, V-140	GSM module/3G modem for remote maintenance, modem for data transmission	51260000
	BUS module for Modbus or Profibus	51260010
	FlexFlow operating mode (flow control mode)	51260015
	FlexRay operating mode (dimming mode)	51260020
	Fill level, pressure level probe 0 to 0.4 bar 4 to 20 mA - indication of basin fill level	91260010
	Remote maintenance: visualisation for display on smartphone, tablet, laptop	51260035

Spare parts:

Type:	Item number:
V-8	
UV lamp V-80 W / 34 W UVC capacity	90260010
Immersion tube for DOSALux V-8	90260310
UV sensor for DOSALux V	90260100
Masuring window for UV sensor for DOSALux V, MF01	90260110
Ballast for UV lamp V-80 W	90260210
Type: V-14	Item number:
UV lamp V-200 W short / 65 W UVC capacity	90260030
Immersion tube for DOSALux V-14	90260310
UV sensor for DOSALux V	90260100
Masuring window for UV sensor for DOSALux V, MF02	90260120
Ballast for UV lamp V-200 W / 65 W	90260230
Type: V-83	Item number:
UV lamp V-284 W short / 95 W UVC capacity	90260050
Immersion tube for DOSALux V-83	90260315
UV sensor for DOSALux V	90260100
Masuring window for DOSALux UV sensor for DOSALux V, MF02	90260120
Ballast for UV lamp V-284 W	90260250
Type: V-140	Item number:
UV lamp V-400 W / 140 W UVC capacity	90260070
Immersion tube for DOSALux V-140	90260335
DUV sensor for DOSALux V	90260100
Masuring window for UV sensor for DOSALux V, MF01	90260110
Ballast for UV lamp V-400 W	90260250

Connections and dimensions:

Parameters:	Type:	V-8:	V-14:	V-83:	V-140:
Flow rate at 80% Tr100:		8,08 m ³ /h	14,42 m ³ /h	83.8 m ³ /h	100 m ³ /h
Chamber material:		1.4404	1.4301		
Operating pressure:		16 bar	10 bar		16 bar
Diameter:		129 mm	168 mm	273 mm	
Installation width:		213 mm	351 mm	470 mm	465 mm
Installation height:		1170 mm			1745 mm
Height for lamp exchange:		2200 mm	2150 mm		3320 mm
Filling capacity:		11,2 l	19,3 l	52 l	84 l
Net weight:		8,2 kg	27,0 kg	55,0 kg	96,0 kg
Connections:		1 ½"	FL DN 65	FL DN 100	FL DN 150
Water temperature		+1 to +35 °C		+1 to +45 °C	
Ambient temperature:		+5 to +40 °C			
Power consumption:		92 W	220 W	890 W	1290 W
Number of lamps:		1		3	
Capacity:		80 W	207 W	284 W	400 W
UVC capacity		34 W	65 W	95 W	140 W
Power supply:		230 V/50 Hz			
Supply breaker:		13 A		16 A	
Internal breaker:		6 A		6/13 A	
Protection category:		IP 54			
Dimensions (controller):		420 x 310 x 150 mm		600 x 800 x 250 mm	
Control unit material:		Powder-coated steel			
Control unit weight:		8,7 kg	14.3 kg	27 kg	28 kg



5. Disinfection systems

5.3. Electrolysis units

DOSADes Membrane electrolysis

Demand-controlled and non-hazardous sodium hypochlorite production for disinfection of drinking water or pool water, for example, in a closed circuit – right on-site.



Product description:

- Unit producing sodium hypochlorite (NaClO, disinfection agent)
- Fully automatic product production on site (storage in product reservoir onsite)
- Safe handling through closed system and low concentration
- Easy operator guidance
- Disinfectant production at low cost

Areas of application:

- Unit producing sodium hypochlorite (NaClO, disinfection agent)
- Fully automatic product production on site (storage in product reservoir onsite)
- Safe handling through closed system and low concentration
- Easy operator guidance
- Disinfectant production at low cost

Scope of supply:

- **DOSADes Membrane electrolysis:**
 - Unit as shown above, or with adapted capacity
 - Sturdy mounting board (ready to be connected)
 - Control cabinet
 - Storage tank
 - Water softening unit



Process description:

- By means of electrolysis a sodium hypochlorite solution is produced from a sodium chloride soPlution made of softened water and standardised salt (in compliance with DIN 14808), the so-called brine, and again softened water. During this reaction, hazard-free base products (water and salt) dissociate by means of electrolysis to form chlorine, sodium chloride solution and hydrogen. The hydrogen is highly diluted and then discharged. Sodium hydroxide solution and chlorine react to form a 3 % sodium hypochlorite solution that is conducted to a product storage tank.

Ordering data:

Type:	Capacity: h g Cl ₂ /h	Capacity: d kg Cl ₂ /d	Item number:
Membrane electrolysis 200	200	4.8	60196000
Membrane electrolysis 300	300	7.2	60196010
Membrane electrolysis 400	400	9.6	60196020
Membrane electrolysis 500	500	12.0	60196040
Membrane electrolysis 1000	1000	24.0	60196050
Membrane electrolysis 1500	1500	36.0	60196060
Membrane electrolysis 2000	2000	48.0	60196070
Membrane electrolysis 2500	2500	60.0	60196080
Membrane electrolysis 3000	3000	72.0	60196090
Membrane electrolysis 4000	4000	96.0	60196100
Membrane electrolysis 5000	5000	120.0	60196110
Membrane electrolysis 6000	6000	144.0	60196120

Technical data:

Parameter:	Concentration:	Min. salt consumption:	Water consumption:	Inlet pressure:	Softening capacity:	Net weight:	Footprint:	Operating temperature**:
Type:	g Cl ₂ /l	kg/h	l/h*	bar	°dH	kg	m ²	°C
200	25 ... 30	0.42	~ 20	≥ 3	< 0.1	~ 150	~ 5	10 ... 30
300		0.63	~ 30			~ 166	~ 5	
400		0.84	~ 40			~ 190	~ 5	
500		1.06	~ 50			~ 218	~ 6	
1000		2.15	~ 100			~ 362	~ 8	
1500		3.20	~ 150			~ 406	~ 10	
2000		4.25	~ 200			~ 444	~ 10	
2500		5.20	~ 250			~ 489	~ 12	
3000		6.25	~ 300			~ 658	~ 15	
4000		8.35	~ 400			~ 789	~ 18	
5000		10.55	~ 500			~ 878	~ 20	
6000		12.55	~ 600			~ 1170	~ 26	

(*Drinking water, 5 ... 15 °C, softened, ** Valid for cooled sections. Uncooled sections can heat up to 55 °C.)

Technical data:

Parameter: Type:	Energy consumption: kVA	Electrode voltage: VDC	Electrode current: ADC	Water consumption (cooling): liter	Water consumption (product): liter	Total water consumption: liter
200	2.4	8–10	80–0	~ 12	~ 8	~ 20
300	3.2	12–15		~ 18	~ 12	~ 30
400	4.2	16–20		~ 24	~ 16	~ 40
500	5.0	20–25		~ 30	~ 20	~ 50
1000	10.0	40–50		~ 60	~ 40	~ 100
1500	15.0	60–75		~ 90	~ 60	~ 150
2000	20.0	80–100		~ 120	~ 80	~ 200
2500	25.0	100–125		~ 150	~ 100	~ 250
3000	30.0	120–150		~ 180	~ 120	~ 300
4000	40.0	160–200		~ 240	~ 160	~ 400
5000	50.0	200–250		~ 300	~ 200	~ 500
6000	60.0	240–300		~ 360	~ 240	~ 600

All units

Electrolysis cells:	Half-life of the NaClO solution at: 15 °C	pH of the NaClO solution: pH	Max. sound pressure level: dB(A)	Exhaust air with hydrogen share: m ³	Operating pressure: bar
(all units)	> 4 days	~ 12	< 70	150	< 1

Capacity approx. 30–200 g/h. This modern system produces fresh, high-level disinfectant for the disinfection of drinking water or for upkeep of your swimming pool water using salt, water and electricity.

Product description:

- Use of chemically resistant and process-compatible materials such as titanium, PVC-U and LLDPE
- An LED display on the control unit indicates the operating mode
- Automatic mode
- Integrated softening unit
- The regeneration intervals of the integrated water softening unit vary depending on the hardness of the water used to fill the system
- Refill monitoring in the water softener
- Integrated brine tank and product tank
- Flow monitoring
- Backwater monitoring in the hydrogen line
- Closed hydrogen line to the outside (with a continuous incline)
- Service water inlet temperature: max. 25 °C
- min./max. room temperature: 10–0 °C
- ModBus (optionally available on request)
- Supply voltage: 230 V/50 Hz

Areas of application:

- Drinking water disinfection:
 - Municipal (German drinking water regulations TVO, Art. 11 UBA)
 - Drinking water supply on ships etc. (German drinking water regulations TVO, Art. 11 UBA)
- Water treatment:
 - Beverage industry, circuit water, process water, aquariums, fish farming, livestock breeding, wastewater, etc

Scope of supply:

- **DOSAactive Tube cell Electrolysis Unit** (pre-assembled)
 - Integrated water softening unit, brine tank and product tank

Process description:

- A stable, storable sodium hypochlorite solution is produced on-site and manufactured to stock using saline solution by electrolysis with an open cell design. All of the functional components such as the controller, brine pump, reactor tube, water distributor and hydrogen separator are mounted on a wall mounting plate made of polyethylene. The brine tank with integrated water softener and the product tank are erected separately. Extra-large tanks are optionally available. The system must be erected indoors or, if outdoors, in an enclosure. A separate operating room is not necessary, adequate ventilation of the installation room must be ensured. The provisions of Art. 19 of the WHG apply.

Ordering data:

Type:	Production capacity: g/chlorine/h	Concentration: g Cl ₂ /l	Water consumption*: l/h	Salt consumption**: g/h	Power consumption: Watt	Item number:
DOSA <i>active</i> 30	30	6 – 7	8	108	140	61177000
DOSA <i>active</i> 60	60		11	216	300	61177005
DOSA <i>active</i> 90	90		18	324	450	61177010
DOSA <i>active</i> 200	200		37	720	900	61177015

*Additional fresh water consumption for regeneration of the water softener. ** Additional salt consumption by the water softener

Additional technical data:

Type	Brine consumption: l/h	Cell current: A	Fuse right/left: A/mA	Product stock on site: l	Storage temperature: °C	Salt quality:	Servicing by specialised dealer:
DOSA <i>active</i> 30	0.38	17	6.3 A/ 400 mA	75	5 – 40	Use salt suitable for electrolysis	Yes
DOSA <i>active</i> 60	0.70						
DOSA <i>active</i> 90	1.20	25					
DOSA <i>active</i> 200	2.80	48					

5

Mass and weight:

Type:	Operating weight: kg	Transport weight: kg	Space required for wall mounting: H x W x D (mm)
DOSA <i>active</i> 30	250	118	1212 x 772 x 195
DOSA <i>active</i> 60			
DOSA <i>active</i> 90			
DOSA <i>active</i> 200	295	150	