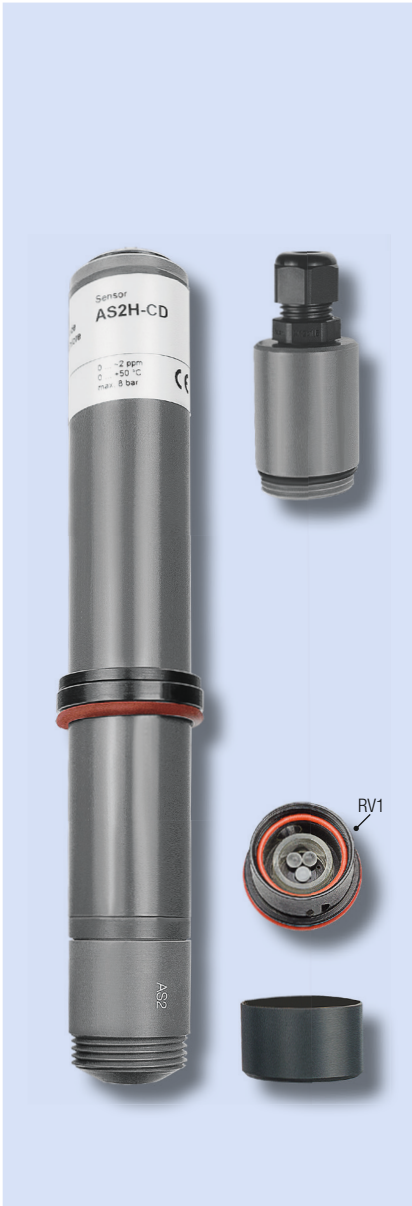


1.1.1.

DOSA*Sens* Chlorine dioxide sensor AS2, AS3



Sensor for the measurement of chlorine dioxide with open measuring cell. Optional with cleaning device.

Product description:

- Measurand(s): chlorine dioxide
- Calibration: at the controller, via analytical determination by DPD-1 method
- Interferences: ozone, chlorine, chlorite are registered with less than 2%
- pH range: 1 – 12, or the beginning decay of chlorine dioxide /over pH 12
- Pressure range:
 - Operation without circlip: 0–0.5 bar
 - Operation with circlip: 0–8.0 bar
- Temperature range:
 - 0–50 °C (AS2)
 - 0–70 °C (AS3)
- Automatic temperature compensation
- Response time: T₉₀ approx. 30 s
- Absence of the disinfectant: max. 24 h
- Flow rate: at least 15 l/h (with RV1 increased at least 45 l/h)
- With the cleaning device (RV1) there is a restriction of the measuring range to 0,7 or 7 ppm
- Shaft length: standard 190 mm, and up to 220 mm in length (mA-Version)
- Connection: 5-pin M12 screwed plug (mV-, mA-, Modbus RTU-version), 2-pole terminal (mA-Version)
- Material: PVC-U (AS2), PEEK (AS3)

Areas of application:

- Drinking water, up to max. 70 °C.

Scope of supply:

- DOSA*Sens* AS2, AS3 chlorine dioxide sensor, electrolyte hull, electrolyte, operating manual

Ordering data:

Type: (up to 50°C)	Measuring range: ppm	Resolution: ppm	Output signal:	Power supply:	Item number:
AS2H-CD-M12	0.005 – 2.00	0.001	0 to -2000 mV 1 kΩ	±5 to ±15 VDC 10 mA	3626420
AS2N-CD-M12	0.03 – 20.00	0.01			3626421
AS2H-CD-An-M12	0.005 – 2.00	0.001	Modbus RTU	9 – 30 VDC ca. 20 – 56 mA	3626422
AS2N-CD-An-M12	0.03 – 20.00	0.01			3626423
AS2H-CD-M0c	0.005 – 2.00	0.001	4 to 20 mA	12 – 30 VDC R _L = 50 – 900 Ω	3426820
AS2N-CD-M0c	0.03 – 20.00	0.01			3426821
AS2MA1-CD	0.03 – 1.00	0.01	4 to 20 mA	12 – 30 VDC R _L = 50 – 900 Ω	3326151
AS2MA2-CD	0.03 – 2.00	0.01			3326152
AS2MA5-CD	0.03 – 5.00	0.01			3326153
AS2MA1-CD-M12	0.03 – 1.00	0.01			3426840
AS2MA2-CD-M12	0.03 – 2.00	0.01			3426841
AS2MA5-CD-M12	0.03 – 5.00	0.01	3426842		

Subject to technical modifications and printing errors. Images may vary slightly from actual product.
12.10.2022

Ordering data:

Type:	Measuring range: ppm	Resolution: ppm	Output signal:	Power supply:	Item number:
AS3H-CD-M12	0.005 – 2.00	0.001	0 to-2000 mV	±5 to ±15 VDC 10 mA	3626430
AS3N-CD-M12	0.03 – 20.00	0.01	1 kΩ		3626431
AS3H-CD-An-M12	0.005 – 2.00	0.001	0 to-2000 mV 1 kΩ	9 – 30 VDC ca. 20 – 56 mA	3626432
AS3N-CD-An-M12	0.03 – 20.00	0.01			3626433
AS3H-CD-M0c	0.005 – 2.00	0.001	Modbus RTU		3426870
AS3N-CD-M0c	0.03 – 20.00	0.01			3426871
AS3MA1-CD	0.03 – 1.00	0.01	4 – 20 mA	12 ... 30 VDC R _L = 50 – 900 Ω	3326161
AS3MA2-CD	0.03 – 2.00	0.01			3326162
AS3MA5-CD	0.03 – 5.00	0.01			3326163
AS3MA1-CD-M12	0.03 – 1.00	0.01			3426890
AS3MA2-CD-M12	0.03 – 2.00	0.01			3426891
AS3MA5-CD-M12	0.03 – 5.00	0.01			3426892

Additional technical data:

Type:	Slope:	Connection:	Special characteristics:
AS2H-CD-M12	-1000 mV/ppm	5-pin M12 screwed plug	Connection only to a controller with galvanically separated power supply.
AS2N-CD-M12	-100 mV/ppm		
AS2H-CD-An-M12	-1000 mV/ppm		
AS2N-CD-An-M12	-100 mV/ppm		
AS2H-CD-M0c	Modbus RTU		
AS2N-CD-M0c			
AS2MA1-CD	16 mA/ppm	2-pole terminal	Connection only to a controller with galvanically separated power supply.
AS2MA2-CD	8.0 mA/ppm		
AS2MA5-CD	3.2 mA/ppm		
AS2MA1-CD-M12	16 mA/ppm	5-pin M12 screwed plug	Connection only to a controller with galvanically separated power supply.
AS2MA2-CD-M12	8.0 mA/ppm		
AS2MA5-CD-M12	3.2 mA/ppm		
AS3H-CD-M12	-1000 mV/ppm		
AS3N-CD-M12	-100 mV/ppm		
AS3H-CD-An-M12	-1000 mV/ppm	5-pin M12 screwed plug	Connection only to a controller with galvanically separated power supply.
AS3N-CD-An-M12	-100 mV/ppm		
AS3H-CD-M0c	Modbus RTU		
AS3N-CD-M0c			
AS3MA1-CD	16 mA/ppm		
AS3MA2-CD	8.0 mA/ppm		
AS3MA5-CD	3.2 mA/ppm		
AS3MA1-CD-M12	16 mA/ppm	5-pin M12 screwed plug	Connection only to a controller with galvanically separated power supply.
AS3MA2-CD-M12	8.0 mA/ppm		
AS3MA5-CD-M12	3.2 mA/ppm		

Spare parts:

Spare parts:	for sensor type:	Item number:
Abrasive paper S3	AS all types	9026103
Electrolyte hull PVC	AS2 all types	9026154
Electrolyte hull PEEK	AS3 all types	9026220
Electrolyte EAS1/Gel	AS all types	9026066

Accessories:

Type:	for sensor type:	Item number:
Cleaning device RV1	AS (all types), *RV1: restriction of the measuring range to 0,7 or 7 ppm	9026180
Sensor simulator SIM11.1n	0 mV, -100 mV, -1000mV	9026205
Sensor simulator 4 – 20 mA, current sensor	all sensors with mA signal	90249000
mV Simulator and mA Tester	all sensors with mV signal or mA signal	21131105
Photometer for calibration	chlorine, total chlorine, isocyanuric, pH, chlorine dioxide	90231060